

KM 2010
Gas hob
with 4 burners



- Simple controls -single-handed operation via rotary dial control
- Professional design – 650 mm wide stainless steel trough
- Versatile – 4 burners
- Extremely safe – GasStop function
- Easy cleaning – dishwasher-safe ComfortClean pot rests

EAN: 4002514414041 / Material number: 07113300 /
Old Material Number: 26201050GB

Heating type	
Heating type	Gas
Construction type	
Independent of cooker	•
Design	
Surface-mounted/flush-fit	–/–
Stainless steel trough	•
Cast iron pot rests (matt black enamelled)	•
Cooking zone details	
Number of cooking zones	4
Number of cooking zones/cooking areas	–/–
Gas burner power rating	
Small burner in kW	1.00
Medium burner in kW	1.75
Large burner in kW	2.60
1st cooking zone/cooking area	
Position	front left
Type	High-speed burner
2nd cooking zone/cooking area	
Position	rear left
Type	Economy burner
3rd cooking zone/cooking area	
Position	rear right
Type	Standard burner
4th cooking zone/cooking area	
Position	front right
Type	Standard burner
User convenience	
Operation via knobs	•
Electronic ignition with single-hand operation	•
Cleaning and care	
Dishwasher-proof pot rests	•
PerfectClean burner	•
Safety	
GasStop	•
Technical data	
Dimensions (H x W x D) in mm	90 x 650 x 520
Dimensions in mm (width)	650
Dimensions in mm (height)	90
Dimensions in mm (depth)	520
Cutout dimensions in mm (width) with surface-mounted installation	560 mm
Cutout dimensions in mm (depth) with surface-mounted installation	480 mm
Weight in kg	13
Total rated load in kW	7.10
Length of supply lead in m	1.4
Position of gas connection	Hinten links

KM 2010
Gas hob
with 4 burners



EAN: 4002514414041 / Material number: 07113300 /
Old Material Number: 26201050GB

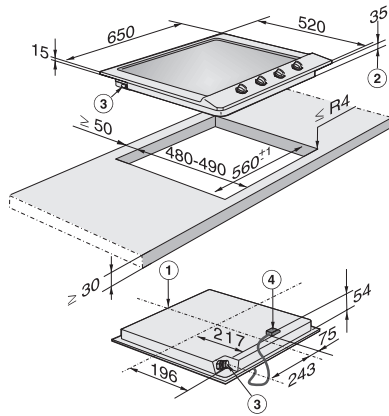
Voltage in V 220-240

Frequency in Hz 50-60

Accessories included

Mains cable No

KM 2010
Gas hob
with 4 burners



KM2010G (Installation drawing)

1. Front, 2 Building-in depth, 3. Gas connection R 1/2 - ISO 7-1 (DIN EN 10226), 4. Mains connection box with mains connection cable, L = 2000 mm