

DA 1260

Built-under cooker hood

with energy-efficient LED lighting and sliding switch for simple operation.



- Puristic design – space-saving solution 598 mm wide
- Powerful – 545 m³/h in Booster level
- Efficient filtration- 10-ply stainless-steel grease filter
- Safe and easy to clean – Miele CleanCover
- Suitable for every home – for extraction or recirculation



EAN: 4002515792186 / Material number: 10568360 /
Old Material Number: 28126055GB

General information	
Model identifier	DA 1260
Manufacturer material number	10568360
EAN number	4002515792186
Marketing class	Silver
Construction type	
Built-under hood	•
Construction type and design	
Colour	Stainless steel
Operating modes	
Type of air guide	Can be retrofitted
Active charcoal filter (order separately)	DKF 18-P
User convenience	
Mechanical controls	•
Controls	Slide switch
Power levels (number without Booster level)	3
Booster levels	1
Easy-to-clean canopy interior – CleanCover	•
Efficiency	
Energy efficiency class (A+++ – D)	C
Annual energy consumption in kWh/year	91.6
Fluid dynamic efficiency class	D
Lighting efficiency class	A
Grease filtering efficiency class	A
Filter system	
Number of dishwasher-safe stainless steel grease filters (10-ply)	2
Lighting	
Number x W	2 x 3 W
Light intensity in lx	330 lx
Colour temperature in K	3000 Kelvin
Fan	
Single-action blower	•
Exhaust air	
Air throughput in Level 1 (m ³ /h) according to EN 61591	275
Air throughput in Level 2 (m ³ /h) according to EN 61591	315
Air throughput in Level 3 (m ³ /h) according to EN 61591	355
Air throughput in Booster level 1 (m ³ /h) according to EN 61591	545
Sound power in Level 1 (dB(A) re 1 pW) according to EN 60704-3	57.0
Sound power in Level 2 (dB(A) re 1 pW) according to EN 60704-3	60.0
Sound power in Level 3 (dB(A) re 1 pW) according to EN 60704-3	64.0
Sound power in Booster level 1 (dB(A) re 1 pW) acc. to EN 60704-3	74.0
Sound pressure in Level 1 (dB(A) re 20 µPa) according to EN 60704-2-13	43.0

DA 1260

Built-under cooker hood

with energy-efficient LED lighting and sliding switch for simple operation.



EAN: 4002515792186 / Material number: 10568360 /
Old Material Number: 28126055GB

Sound pressure in Level 2 (dB(A) re 20 µPa) according to EN 60704-2-13 47.0

Sound pressure in Level 3 (dB(A) re 20 µPa) according to EN 60704-2-13 50.0

Sound pressure in Booster level 1 (dB(A) re 20 µPa) acc. to EN 60704-2-13 60.0

Recirculation

Air throughput in Level 1 (m³/h) according to EN 61591 165

Air throughput in Level 2 (m³/h) according to EN 61591 180

Air throughput in Level 3 (m³/h) according to EN 61591 195

Air throughput in Booster level 1 (m³/h) according to EN 61591 220

Sound power in Level 1 (dB(A) re 1 pW) according to EN 60704-3 71.0

Sound power in Level 2 (dB(A) re 1 pW) according to EN 60704-3 72.0

Sound power in Level 3 (dB(A) re 1 pW) according to EN 60704-3 73.0

Sound power in Booster level 1 (dB(A) re 1 pW) acc. to EN 60704-3 75.0

Sound pressure in Level 1 (dB(A) re 20 µPa) according to EN 60704-2-13 57.0

Sound pressure in Level 2 (dB(A) re 20 µPa) according to EN 60704-2-13 58.0

Sound pressure in Level 3 (dB(A) re 20 µPa) according to EN 60704-2-13 59.0

Sound pressure in Booster level 1 (dB(A) re 20 µPa) acc. to EN 60704-2-13 62.0

Technical data

Canopy width in mm 598

Canopy height in mm 125

Canopy depth in mm 500

Net weight in kg 11.2

Length of supply lead in m 1.5

Standard plug fitted •

Minimum height above electric hobs in mm 450

Minimum safety distance above gas hobs (max. 12.6 kW total power, burner ≤ 4.5 kW) in mm 650

Number of phases 1

Total rated load in kW 0.23

Voltage in V 230

Fuse rating in A 10

Frequency in Hz 50

Installation notes

Extraction ducting connection at top •

Diameter of exhaust duct in mm 150

Fitting template •

Accessories included

Non-return flap •

Deflector for recirculation •

DA 1260

Built-under cooker hood

with energy-efficient LED lighting and sliding switch for simple operation.



EAN: 4002515792186 / Material number: 10568360 /
Old Material Number: 28126055GB

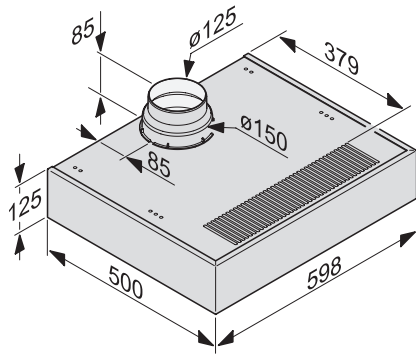
Adapter to reduce ducting diameter from 150 mm to
125 mm Ø

•

DA 1260

Built-under cooker hood

with energy-efficient LED lighting and sliding switch for simple operation.



DA 1060, DA 1160, DA 1260 (Installation drawing)