

DA 2360

Extractor unit

with energy-efficient LED lighting and light-touch switches for easy use.



- Customised kitchen design – fully integrated in 584 mm width
- Space saving – suitable for narrow wall units over 30 cm deep
- Powerful – 600 m³/h in Booster level
- Efficient filtration- 10-ply stainless-steel grease filter
- Safe and easy to clean – Miele CleanCover



EAN: 4002515792193 / Material number: 10568370 /
Old Material Number: 28236055GB

General information	
Model identifier	DA 2360
Manufacturer material number	10568370
EAN number	4002515792193
Marketing class	Silver
Construction type	
Integrated extractor	•
Construction type and design	
Colour	Stainless steel
Operating modes	
Type of air guide	Can be retrofitted
Recirculation conversion kit (order separately)	DUU 151
Active charcoal filter (order separately)	DKF 19-P
User convenience	
Electronic controls	•
Controls	Light-touch switches with LEDs
Power levels (number without Booster level)	3
Booster levels	1
Easy-to-clean canopy interior – CleanCover	•
Efficiency	
Energy efficiency class (A+++ – D)	A
Annual energy consumption in kWh/year	49.1
Fluid dynamic efficiency class	A
Lighting efficiency class	A
Grease filtering efficiency class	B
Filter system	
Number of dishwasher-safe stainless steel grease filters (10-ply)	1
Lighting	
Number x W	2 x 3 W
Light intensity in lx	350 lx
Colour temperature in K	3000 Kelvin
Fan	
Dual-action blower	•
Exhaust air	
Air throughput in Level 1 (m ³ /h) according to EN 61591	250
Air throughput in Level 2 (m ³ /h) according to EN 61591	300
Air throughput in Level 3 (m ³ /h) according to EN 61591	360
Air throughput in Booster level 1 (m ³ /h) according to EN 61591	600
Sound power in Level 1 (dB(A) re 1 pW) according to EN 60704-3	47.0
Sound power in Level 2 (dB(A) re 1 pW) according to EN 60704-3	48.0
Sound power in Level 3 (dB(A) re 1 pW) according to EN 60704-3	52.0
Sound power in Booster level 1 (dB(A) re 1 pW) acc. to EN 60704-3	64.0

DA 2360

Extractor unit

with energy-efficient LED lighting and light-touch switches for easy use.



EAN: 4002515792193 / Material number: 10568370 /
Old Material Number: 28236055GB

Sound pressure in Level 1 (dB(A) re 20 µPa) according to EN 60704-2-13	31.0
Sound pressure in Level 2 (dB(A) re 20 µPa) according to EN 60704-2-13	34.0
Sound pressure in Level 3 (dB(A) re 20 µPa) according to EN 60704-2-13	38.0
Sound pressure in Booster level 1 (dB(A) re 20 µPa) acc. to EN 60704-2-13	50.0
Recirculation	
Air throughput in Level 1 (m ³ /h) according to EN 61591	190
Air throughput in Level 2 (m ³ /h) according to EN 61591	250
Air throughput in Level 3 (m ³ /h) according to EN 61591	320
Air throughput in Booster level 1 (m ³ /h) according to EN 61591	500
Sound power in Level 1 (dB(A) re 1 pW) according to EN 60704-3	54.0
Sound power in Level 2 (dB(A) re 1 pW) according to EN 60704-3	60.0
Sound power in Level 3 (dB(A) re 1 pW) according to EN 60704-3	64.0
Sound power in Booster level 1 (dB(A) re 1 pW) acc. to EN 60704-3	72.0
Sound pressure in Level 1 (dB(A) re 20 µPa) according to EN 60704-2-13	39.0
Sound pressure in Level 2 (dB(A) re 20 µPa) according to EN 60704-2-13	45.0
Sound pressure in Level 3 (dB(A) re 20 µPa) according to EN 60704-2-13	49.0
Sound pressure in Booster level 1 (dB(A) re 20 µPa) acc. to EN 60704-2-13	57.0
Safety	
Safety switch-off	•
Technical data	
Canopy width in mm	584
Canopy height in mm	63
Canopy depth in mm	297
Net weight in kg	11.0
Length of supply lead in m	1.5
Standard plug fitted	•
Minimum height above electric hobs in mm	450
Minimum safety distance above gas hobs (max. 12.6 kW total power, burner ≤ 4.5 kW) in mm	650
Number of phases	1
Total rated load in kW	0.22
Voltage in V	230
Fuse rating in A	10
Frequency in Hz	50
Installation notes	
Extraction ducting connection at top	•
Diameter of exhaust duct in mm	150

DA 2360
Extractor unit
with energy-efficient LED lighting and light-touch switches for easy use.



EAN: 4002515792193 / Material number: 10568370 /
Old Material Number: 28236055GB

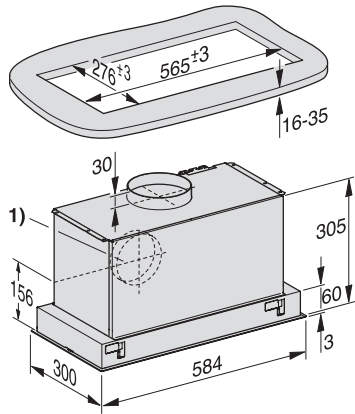
Accessories included

Non-return flap

DA 2360

Extractor unit

with energy-efficient LED lighting and light-touch switches for easy use.



DA 2360 (Installation drawing)

The hood is fixed in the cut-out using clamps, in the cut-out. This requires a solid construction of the, solid construction of the installation surface, e.g. of wood, is required. Make sure that the, sufficient load-bearing capacity of the construction. In the area of the, In the area of the terminals, components such as struts or cables,, must be at least 25 mm away from the cut-out., have, 1) Vent connection alternatively to rear