

## ESW 7020

29 cm high handleless Gourmet warming drawer

for preheating crockery, keeping food warm and low temperature cooking.



- The ultimate in enjoyment – low temperature cooking
- Always at the right temperature – 4 functions
- Convenient and easy – Touch control
- Opening the drawer couldn't be easier – Push2open
- Better safe than sorry – timer function with automatic switch-off

EAN: 4002516169475 / Material number: 11093300 /  
Old Material Number: 30702030GB

<b>General information</b>	
Model identifier	ESW 7020
Manufacturer material number	11093300
EAN number	4002516169475
<b>Construction type and design</b>	
Gourmet warming drawer	•
VitroLine	•
ArtLine	•
Handleless	•
<b>Construction type and design</b>	
Colour	Graphite grey
<b>Operating modes</b>	
Cup warming	•
Plate warming	•
Keeping food warm	•
Low temperature cooking	•
<b>Convenience features</b>	
Pre-heating crockery	•
Keeping food warm	•
Perfect cooking results at low temperature	•
<b>User convenience</b>	
Miele@home	•
Push2open mechanism	•
Fully telescopic runners for easy loading and unloading of the warming drawer	•
Control panel with sensor controls	•
Timer function	•
Sabbath programme	•
Control panel with symbols	•
Stop programming	•
<b>Efficiency and sustainability</b>	
Power rating in off mode in W	0.3
Power rating in standby mode in W	0.8
Power rating in networked standby in W	2.0
Time until automatic switch to off mode in min	20
Time until automatic switch to standby in min	20
Time until automatic switch to networked standby in min	20
<b>Cleaning and care</b>	
Flush control panel	•
<b>Safety</b>	
Cool front	•
Anti-slip mat	•
Safety switch-off	•
<b>Accessory drawer</b>	
Capacity	12 place settings
<b>Technical data</b>	
Temperatures min. in °C	40
Temperatures max. in °C	85

ESW 7020

29 cm high handleless Gourmet warming drawer

for preheating crockery, keeping food warm and low temperature cooking.



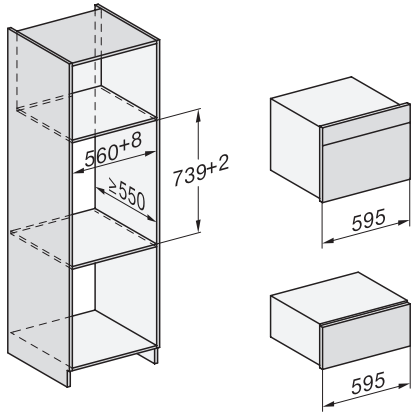
EAN: 4002516169475 / Material number: 11093300 /  
Old Material Number: 30702030GB

Appliance width in mm	595
Appliance height in mm	289
Appliance depth in mm	570
Useable interior height in mm	230
Total rated load in kW	0.70
Voltage in V	230
Frequency in Hz	50-60
Fuse rating in A	10
Number of phases	1
Mains cable with plug	•
Length of supply lead in m	2.0
<b>Accessories included</b>	
Anti-slip mat	1
Rack for increased capacity	1

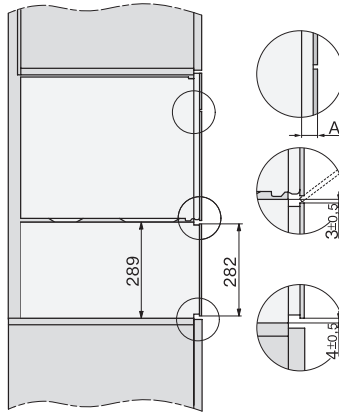
## ESW 7020

29 cm high handleless Gourmet warming drawer

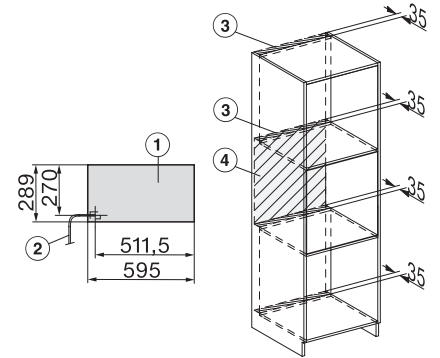
for preheating crockery, keeping food warm and low temperature cooking.



Installation DG, DGM, DGC XL, ESW7x20 installation drawings

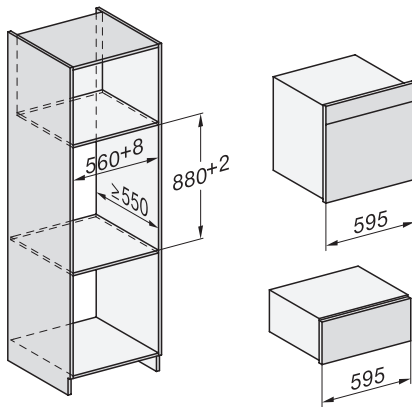


side view, DG, DGM, ESW7x20 installation drawings

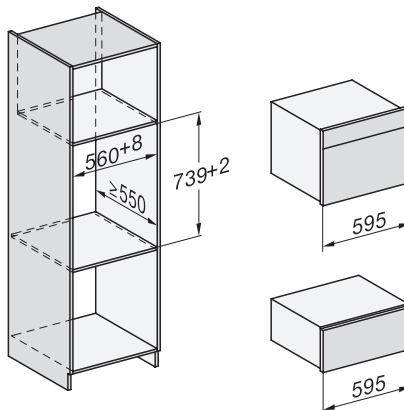


Installation, ESW7x20, DGM7x4x installation drawings

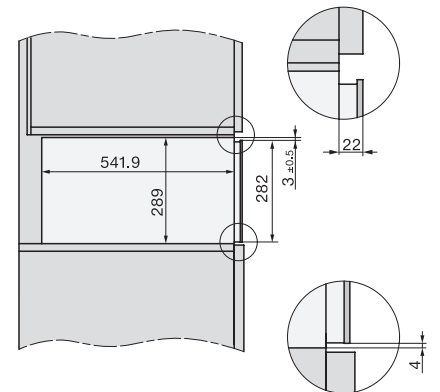
1) Front view, 2) Mains connection cable, L=2.000 mm, 3) Ventilation cut min. 180 cm<sup>2</sup>, 4) No connection in this area



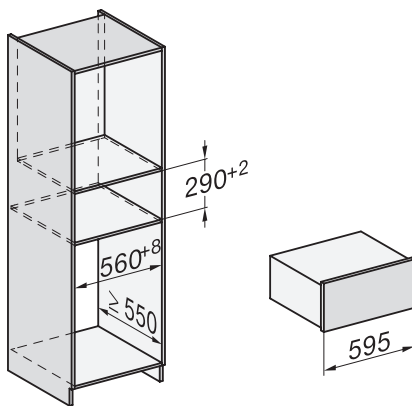
Installation DGC XXL, ESW7x20 installation drawings



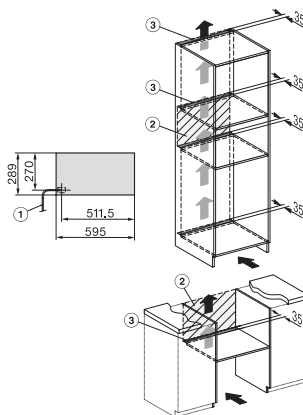
ESW7020, Installation drawings, XL combination niche height



side view ESW7x20, installation drawing, GB, AU



built-in ESW7x20, installation drawing



Installation ESW7x20, installation drawing, GB, AU

1) Front view, 2) Mains connection cable, L=2.000 mm, 3) ventilation cut-out min. 180 cm<sup>2</sup>, 4) no connection in this area