

ESW 7120

29 cm high handleless Gourmet warming drawer

for preheating crockery, keeping food warm and low temperature cooking.



- The ultimate in enjoyment – low temperature cooking
- Always at the right temperature – 4 functions
- Convenient and easy – Touch control
- Opening the drawer couldn't be easier – Push2open
- Better safe than sorry – timer function with automatic switch-off

EAN: 4002516169741 / Material number: 11093360 /
Old Material Number: 30712040GB

General information	
Model identifier	ESW 7120
Manufacturer material number	11093360
EAN number	4002516169741
Construction type and design	
Gourmet warming drawer	•
ContourLine	•
Handleless	•
Construction type and design	
Colour	Stainless steel/Clean Steel
Operating modes	
Cup warming	•
Plate warming	•
Keeping food warm	•
Low temperature cooking	•
Convenience features	
Pre-heating crockery	•
Keeping food warm	•
Perfect cooking results at low temperature	•
User convenience	
Miele@home	•
Push2open mechanism	•
Fully telescopic runners for easy loading and unloading of the warming drawer	•
Control panel with sensor controls	•
Timer function	•
Sabbath programme	•
Control panel with symbols	•
Stop programming	•
Efficiency and sustainability	
Power rating in off mode in W	0.3
Power rating in standby mode in W	0.8
Power rating in networked standby in W	2.0
Time until automatic switch to off mode in min	20
Time until automatic switch to standby in min	20
Time until automatic switch to networked standby in min	20
Cleaning and care	
Stainless steel/CleanSteel finish	•
Flush control panel	•
Safety	
Cool front	•
Anti-slip mat	•
Safety switch-off	•
Accessory drawer	
Capacity	12 place settings
Technical data	
Temperatures min. in °C	40
Temperatures max. in °C	85

ESW 7120

29 cm high handleless Gourmet warming drawer

for preheating crockery, keeping food warm and low temperature cooking.



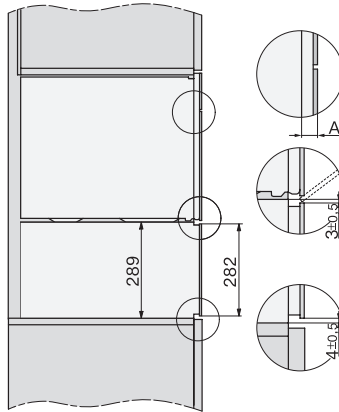
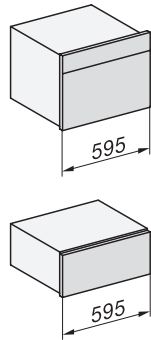
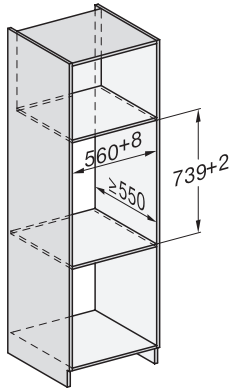
EAN: 4002516169741 / Material number: 11093360 /
Old Material Number: 30712040GB

Appliance width in mm	595
Appliance height in mm	289
Appliance depth in mm	570
Useable interior height in mm	230
Total rated load in kW	0.70
Voltage in V	230
Frequency in Hz	50-60
Fuse rating in A	10
Number of phases	1
Mains cable with plug	•
Length of supply lead in m	2.0
Accessories included	
Anti-slip mat	1
Rack for increased capacity	1

ESW 7120

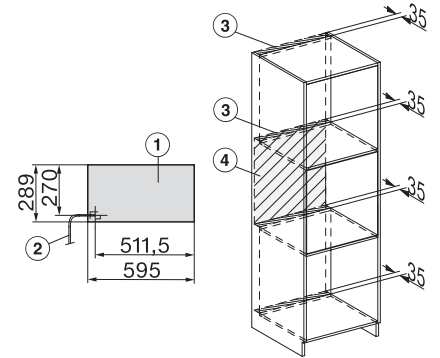
29 cm high handleless Gourmet warming drawer

for preheating crockery, keeping food warm and low temperature cooking.



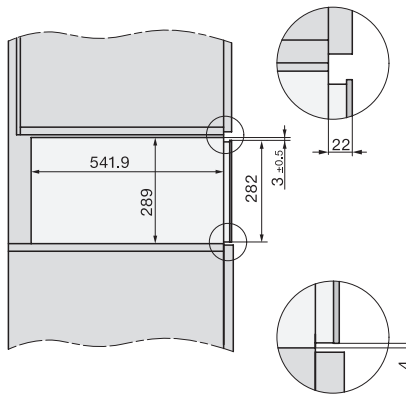
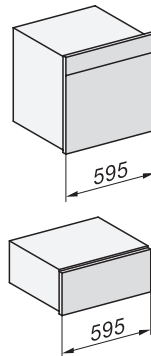
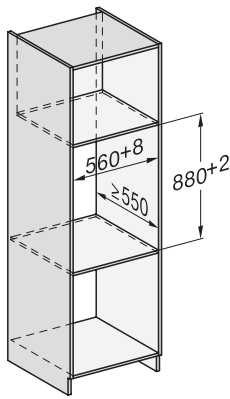
Installation DG, DGM, DGC XL, ESW7x20 installation drawings

side view, DG, DGM, ESW7x20 installation drawings



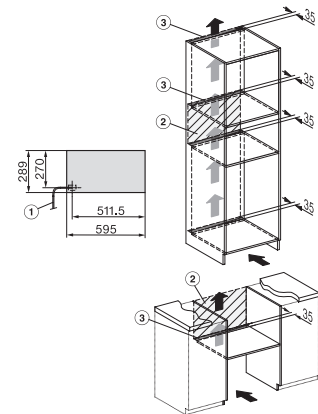
Installation, ESW7x20, DGM7x4x installation drawings

1) Front view, 2) Mains connection cable, L=2.000 mm, 3) Ventilation cut min. 180 cm², 4) No connection in this area



Installation DGC XXL, ESW7x20 installation drawings

side view ESW7x20, installation drawing, GB, AU



Installation ESW7x20, installation drawing, GB, AU

1) Front view, 2) Mains connection cable, L=2,000 mm, 3) ventilation cut-out min. 180 cm², 4) no connection in this area