

H 7260 BP CulinArt Oven

seamless design with clear text display and pyrolytic cleaning.



- Clear text display with sensor controls – DirectSensor S
- Minimal cleaning effort – Pyrolytic cleaning
- Achieve perfect results with ease – automatic programmes
- Lots of room and flexibility – 76 l oven capacity on 5 levels
- Easy handling – FlexiClip runners



EAN: 4002516156802 / Material number: 11093490 /
Old Material Number: 22726045GB

General information	
Model identifier	H 7260 BP CulinArt
Manufacturer material number	11093490
EAN number	4002516156802
Marketing class	Gold
Construction type and design	
Colour	Stainless steel/Clean Steel
PureLine	•
Construction type and design	
Built-in oven	•
Convenience features	
Rapid heat-up	•
Operating modes	
Defrosting	•
Auto roast	•
Fan plus	•
Intensive bake	•
Conventional heat	•
Bottom heat	•
Fan grill	•
Grill	•
Eco fan heat	•
Automatic programmes	•
User convenience	
Display	DirectSensor S
SoftOpen	•
SoftClose	•
MultiLingua	•
Time of day display	•
Minute minder	•
Programmable start of cooking duration	•
Programmable end of cooking duration	•
Programmable cooking duration	•
Actual temperature display	•
Target temperature display	•
Buzzer when desired temperature is reached	•
Recommended temperature	•
Individual settings	•
Efficiency and sustainability	
Energy efficiency class (A+++ – D)	A+
Power rating in off mode in W	0.3
Power rating in standby mode in W	0.8
Time until automatic switch to standby in min	20
Time until automatic switch to off mode in min	20
Cleaning and care	
Stainless steel/CleanSteel finish	•
Pyrolytic self-cleaning	•
Hinged grill element	•

H 7260 BP CulinArt

Oven

seamless design with clear text display and pyrolytic cleaning.



EAN: 4002516156802 / Material number: 11093490 /
Old Material Number: 22726045GB

CleanGlass door

•

Safety

Appliance cooling system and touch-cool front

•

Safety switch-off

•

System lock

•

Door lock during pyrolytic cleaning

•

Technical data

Oven compartment volume in l

76

No. of shelf levels

5

Number of shelf levels oven compartment 1

5

Number of shelf levels oven compartment 2

5

Numbered shelf levels

•

Oven light

1 halogen spot

Temperatures in °C

30–300

Electronic temperature regulation min. in °C

30

Electronic temperature regulation max. in °C

300

Niche width min. in mm

560

Niche width max. in mm

568

Niche height min. in mm

590

Niche height max. in mm

595

Niche depth in mm

550

Appliance width in mm

595

Appliance height in mm

596

Appliance depth in mm

569

Weight in kg

47.0

Total rated load in kW

3.60

Length of supply lead in m

1.50

Voltage in V

220-240

Frequency in Hz

50

Fuse rating in A

16

Number of phases

1

Neutral conductor

Yes

Replacing lamps

Customer

Accessories included

Baking tray with PerfectClean HBB 71

1

Universal tray with PerfectClean HUBB 71

1

Baking and roasting rack with PerfectClean

1

FlexiClip runners HFC 70-C (pair)

1

Removable PerfectClean side runners (pair)

1

Grilling and roasting insert with PerfectClean

1

Voucher for an induction compatible HUB 5001-M

1

Gourmet oven dish

H 7260 BP CulinArt

Oven

seamless design with clear text display and pyrolytic cleaning.



EAN: 4002516156802 / Material number: 11093490 /
Old Material Number: 22726045GB

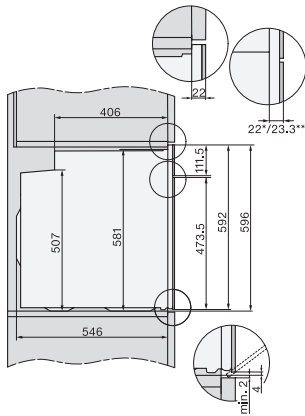
Available display languages

Available display languages via MultiLingua

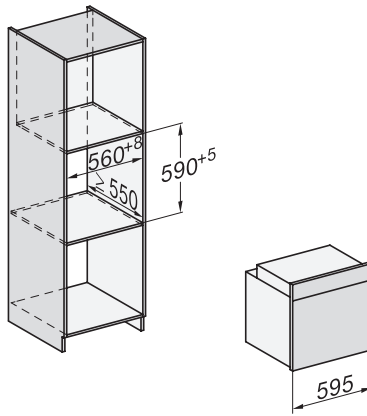
???, ??, ?
???, deutsch, dansk,
english, suomi, français,
ελληνικά, italiano, ???,
???, hrvatski, bahasa
malaysia, nederlands, norsk,
polski, portugês, română,
русский, svenska, srpski,
slovenčina, slovenščina,
español, čeština, türkçe,
українська, magyar

H 7260 BP CulinArt Oven

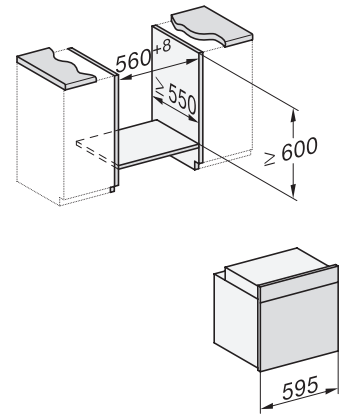
seamless design with clear text display and pyrolytic cleaning.



side view H7000 XL, installation drawings, GB, AU
22 mm – glass, 23.3 mm – metal

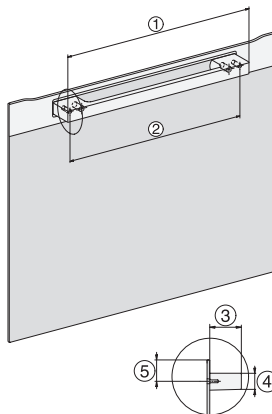


built-in H7000 XL, installation drawing



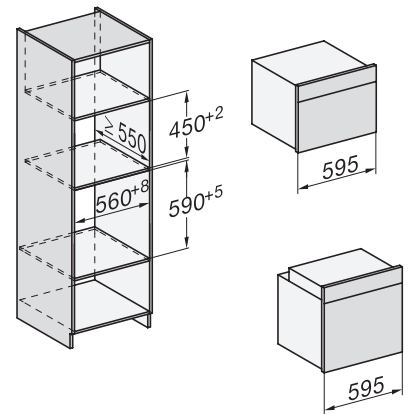
Installation H7000 XL underframe, installation drawings

If the oven is to be installed under a hob, follow the instructions for installing the hob and the height of the hob.



H7000 handle, installation drawing

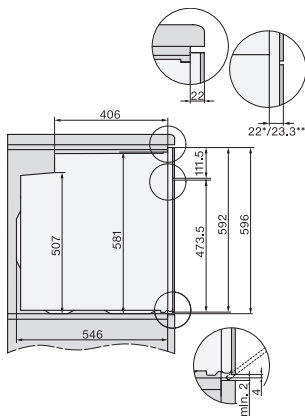
1) 400 mm, 2) 360 mm, 3) 47 mm, 4) 24 mm, 5) 32.5 mm



Installation H7000 BM XL, installation drawings

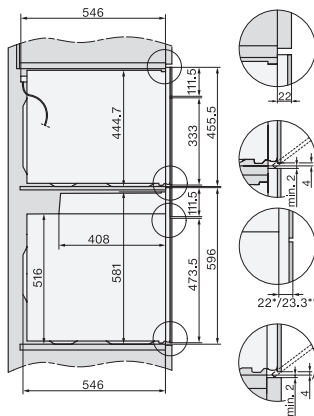
H2x6x-1B/BP/E/EP/I/IP, H2850BP, H7x6xB/BP/BPX, H2x6xB, installation drawings, GB, AUS

1) Mains connection cable, L=2000 mm, 2) No connection in this area, 3) Lüftungsausschnitt min. 150 cm²



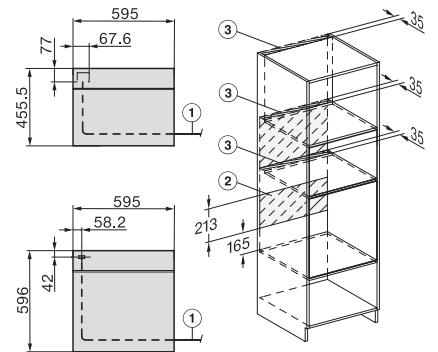
side view H7000 XL build-under, installation drawing, GB, AU

22 mm – glass, 23.3 mm – metal



Side view Kombi BM XL, installation drawings

22 mm – glass, 23.3 mm – metal



Installation Kombi BM XL, installation drawings

22 mm – glass, 23.3 mm – metal