

## H 7440 BMX

Handleless microwave combination oven

with a seamless design, automatic programmes and combination modes.



- Large clear text display with sensor controls – DirectSensor
- Easy cleaning – compartment with PerfectClean & linen structure
- Faster and more consistent results – Quick & Gentle
- Network-enabled WiFi appliance – Miele@home
- Get what you want in one easy step – Quick MW and Popcorn button

EAN: 4002516158981 / Material number: 11093570 /  
Old Material Number: 22744066GB

General information	
Model identifier	H 7440 BMX
Manufacturer material number	11093570
EAN number	4002516158981
Marketing class	Gold
Construction type and design	
ArtLine	•
Handleless	•
Construction type and design	
Built-in microwave combination oven	•
Colour	Obsidian black
User convenience	
3 in 1	Oven, Microwave, Oven with microwave function
Convenience features	
Quick & Gentle	•
Rapid heat-up	•
Pre-heating	•
Keeping warm	•
Operating modes	
Defrosting	•
Auto roast	•
Fan plus	•
Microwave	•
Microwave + Grill	•
Microwave + Fan plus	•
Microwave + Fan grill	•
Fan grill	•
Microwave with Auto roast	•
Special applications	•
Grill	•
Eco fan heat	•
Automatic programmes	•
Country-specific automatic programmes	•
User convenience	
Networking with Miele@home	•
Display	DirectSensor
SoftOpen	•
Touch2Open	•
MultiLingua	•
Popcorn function	•
Time of day display	•
Clock synchronisation	•
Date display	•
Minute minder	•
Programmable start of cooking duration	•
Programmable end of cooking duration	•
Programmable cooking duration	•

## H 7440 BMX

Handleless microwave combination oven

with a seamless design, automatic programmes and combination modes.



EAN: 4002516158981 / Material number: 11093570 /  
Old Material Number: 22744066GB

Actual temperature display	•
Target temperature display	•
Buzzer when desired temperature is reached	•
Recommended temperature	•
Recommended microwave power	•
Quick microwave	•
User programmes	•
Individual settings	•
<b>Efficiency and sustainability</b>	
Automatic residual heat utilisation	•
Power rating in off mode in W	0.3
Power rating in standby mode in W	0.8
Power rating in networked standby in W	2.0
Time until automatic switch to off mode in min	20
Time until automatic switch to standby in min	20
Time until automatic switch to networked standby in min	20
<b>Cleaning and care</b>	
Stainless-steel oven compartment with linen structure and PerfectClean	•
Hinged grill element	•
CleanGlass door	•
<b>Safety</b>	
Appliance cooling system and touch-cool front	•
Safety switch-off	•
System lock	•
Sensor lock	•
<b>Technical data</b>	
Oven compartment volume in l	43
No. of shelf levels	3
Oven light	1 LED spot
Temperatures in °C	30–250
Plug type	3 pole without plug
Electronically controlled microwave power	•
Microwave power levels in W	
Niche width min. in mm	560
Niche width max. in mm	568
Niche height min. in mm	450
Niche height max. in mm	452
Niche depth in mm	550
Weight in kg	36.0
Total rated load in kW	2.70
Length of supply lead in m	2.00
Voltage in V	220-240
Frequency in Hz	50
Fuse rating in A	16
Number of phases	1
Replacing lamps	Service
<b>Accessories included</b>	
Baking and roasting rack with PerfectClean	1

## H 7440 BMX

Handleless microwave combination oven

with a seamless design, automatic programmes and combination modes.



EAN: 4002516158981 / Material number: 11093570 /

Old Material Number: 22744066GB

Glass tray

1

### Available display languages

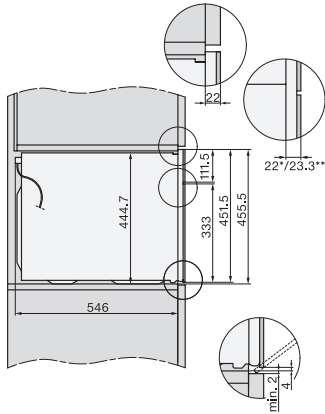
Available display languages via MultiLingua

???, ??, ?  
???, deutsch, dansk,  
english, suomi, français,  
ελληνικά, italiano, ???,  
???, hrvatski, bahasa  
malaysia, nederlands, norsk,  
polski, portugês, română,  
русский, svenska, srpski,  
slovenčina, slovenščina,  
español, čeština, türkçe,  
українська, magyar

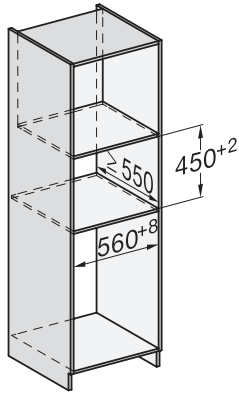
## H 7440 BMX

Handleless microwave combination oven

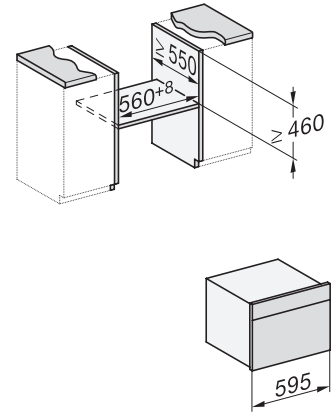
with a seamless design, automatic programmes and combination modes.



side view H7000 BM, installation drawings, GB, AUS  
22 mm – glass, 23.3 mm – metal

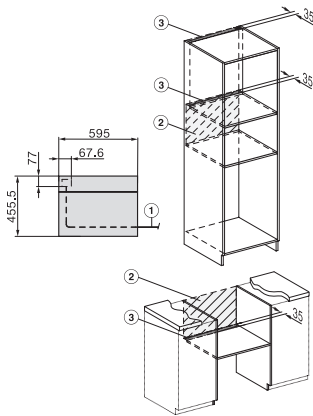


built-in H7000 BM, installation drawing

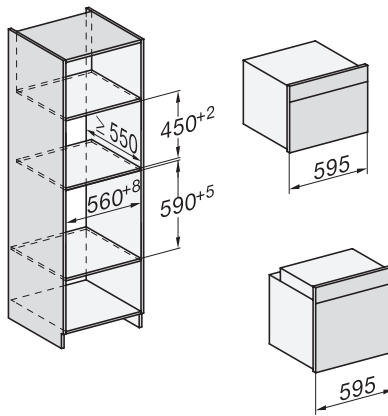


built-in H7000 BM build-under, installation drawings

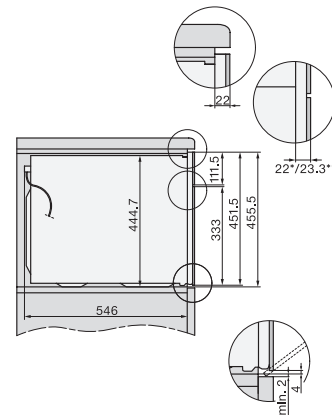
If the oven is to be installed under a hob, follow the instructions for installing the hob and the height of the hob.



Installation H7000BM, installation drawings, GB, AUS  
1) Mains connection cable, L=2000 mm, 2) No connection in this area, 3) Lüftungsausschnitt min. 150 cm<sup>2</sup>

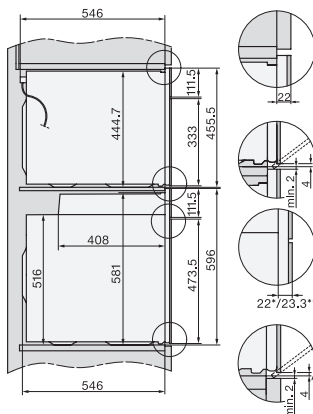


Installation H7000 BM XL, installation drawings

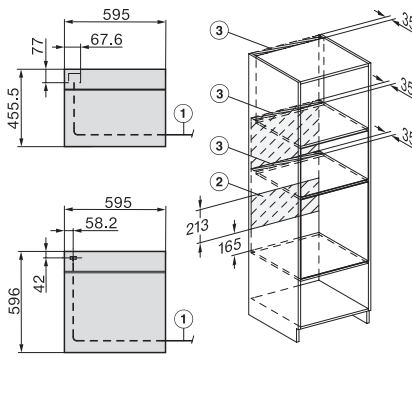


side view H7000 BM build-under, installation drawing, GB, AU

22 mm – glass, 23.3 mm – metal



Side view Kombi BM XL, installation drawings  
22 mm – glass, 23,3 mm – metal



Installation Kombi BM XL, installation drawings

22 mm – glass, 23,3 mm – metal