

H 7464 BP

Oven

seamless design with food probe and LED lighting.



- Large clear text display with sensor controls – DirectSensor
- Minimal cleaning effort – Pyrolytic cleaning equipment & PyroFit
- Especially light dough and nicely browned crusts – Moisture plus
- Ensures your food won't overcook – TasteControl
- Network-enabled WiFi appliance – Miele@home



EAN: 4002516158127 / Material number: 11093600 /  
Old Material Number: 22746425GB

| General information                    |                |
|--|----------------|
| Model identifier                       | H 7464 BP      |
| Manufacturer material number           | 11093600       |
| EAN number                             | 4002516158127  |
| Marketing class                        | Gold           |
| Construction type and design           |                |
| VitroLine                              | •              |
| Construction type and design           |                |
| Built-in oven                          | •              |
| Colour                                 | Obsidian black |
| Convenience features                   |                |
| TasteControl                           | •              |
| Rapid heat-up                          | •              |
| Pre-heating                            | •              |
| Food probe                             | With cable     |
| Keeping warm                           | •              |
| Crisp function                         | •              |
| Operating modes                        |                |
| Defrosting                             | •              |
| Auto roast                             | •              |
| Moisture plus with Conventional heat   | •              |
| Fan plus                               | •              |
| Moisture plus with Fan plus            | •              |
| Intensive bake                         | •              |
| Moisture plus with Intensive bake      | •              |
| Moisture plus                          | •              |
| Moisture plus with Conventional heat   | •              |
| Conventional heat                      | •              |
| Bottom heat                            | •              |
| Fan grill                              | •              |
| Grill                                  | •              |
| Eco fan heat                           | •              |
| Automatic programmes                   | •              |
| Country-specific automatic programmes  | •              |
| User convenience                       |                |
| Networking with Miele@home             | •              |
| Display                                | DirectSensor   |
| SoftOpen                               | •              |
| SoftClose                              | •              |
| MultiLingua                            | •              |
| Programmable timed steam injection     | •              |
| Time of day display                    | •              |
| Clock synchronisation                  | •              |
| Date display                           | •              |
| Minute minder                          | •              |
| Programmable start of cooking duration | •              |
| Programmable end of cooking duration   | •              |
| Programmable cooking duration          | •              |

H 7464 BP

Oven

seamless design with food probe and LED lighting.



EAN: 4002516158127 / Material number: 11093600 /  
Old Material Number: 22746425GB

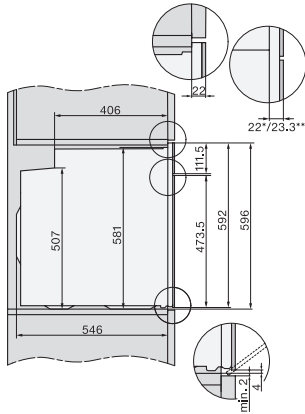
|   |                     |
|---|---------------------|
| Actual temperature display                              | •                   |
| Target temperature display                              | •                   |
| Buzzer when desired temperature is reached              | •                   |
| Recommended temperature                                 | •                   |
| User programmes   | •                   |
| Individual settings                                     | •                   |
| <b>Efficiency and sustainability</b>                    |                     |
| Energy efficiency class (A+++ – D)                      | A+                  |
| Automatic residual heat utilisation                     | •                   |
| Power rating in off mode in W                           | 0.3                 |
| Power rating in standby mode in W                       | 0.8                 |
| Power rating in networked standby in W                  | 2.0                 |
| Time until automatic switch to off mode in min          | 20                  |
| Time until automatic switch to standby in min           | 20                  |
| Time until automatic switch to networked standby in min | 20                  |
| <b>Cleaning and care</b>                                |                     |
| Pyrolytic self-cleaning                                 | •                   |
| Hinged grill element                                    | •                   |
| CleanGlass door   | •                   |
| <b>Steam techn./water supply</b>                        |                     |
| Steam generator power in kW                             | 1.10                |
| Fresh water container volume in l                       | 0.3                 |
| Suction tube for drawing in water                       | •                   |
| <b>Safety</b>   |                     |
| Appliance cooling system and touch-cool front           | •                   |
| Safety switch-off                                       | •                   |
| System lock   | •                   |
| Door lock during pyrolytic cleaning                     | •                   |
| Sensor lock   | •                   |
| <b>Technical data</b>                                   |                     |
| Oven compartment volume in l                            | 76                  |
| No. of shelf levels                                     | 5                   |
| Numbered shelf levels                                   | •                   |
| Oven light  | 1 LED spot          |
| Plug type   | 3 pole without plug |
| Niche width min. in mm                                  | 560                 |
| Niche width max. in mm                                  | 568                 |
| Niche height min. in mm                                 | 590                 |
| Niche height max. in mm                                 | 595                 |
| Niche depth in mm                                       | 550                 |
| Weight in kg  | 47.0                |
| Total rated load in kW                                  | 3.60                |
| Length of supply lead in m                              | 1.50                |
| Voltage in V  | 220-240             |
| Frequency in Hz   | 50                  |
| Fuse rating in A  | 16                  |
| Number of phases  | 1                   |
| Replacing lamps   | Service             |



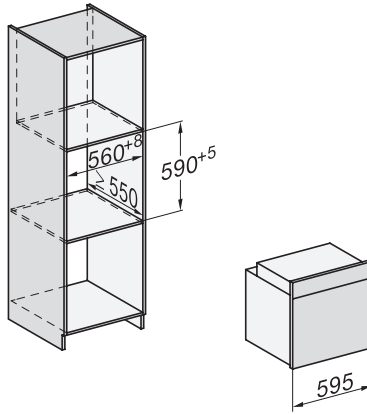
## H 7464 BP

### Oven

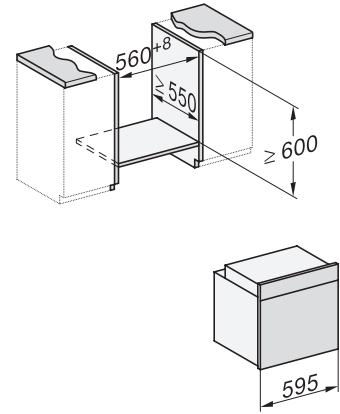
seamless design with food probe and LED lighting.



side view H7000 XL, installation drawings, GB, AU  
22 mm – glass, 23.3 mm – metal

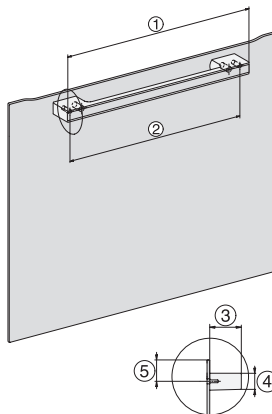


built-in H7000 XL, installation drawing



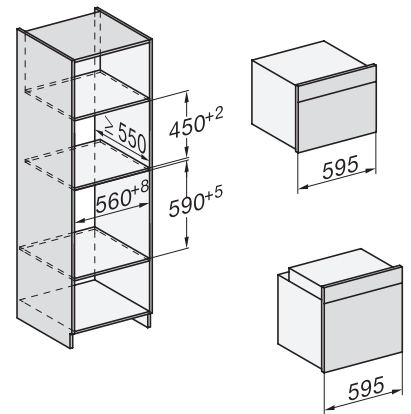
Installation H7000 XL underframe, installation drawings

If the oven is to be installed under a hob, follow the instructions for installing the hob and the height of the hob.



H7000 handle, glass, installation drawings

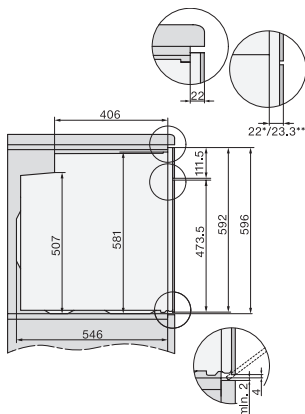
- 1) 400 mm, 2) 360 mm, 3) 47 mm, 4) 27 mm, 5) 32.5 mm



Installation H7000 BM XL, installation drawings

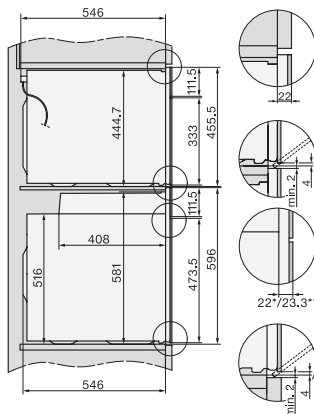
H2x6x-1B/BP/E/EP/I/IP, H2850BP, H7x6xB/BP/BPX, H2x6xB, installation drawings, GB, AUS

- 1) Mains connection cable, L=2000 mm, 2) No connection in this area, 3) Lüftungsausschnitt min. 150 cm<sup>2</sup>



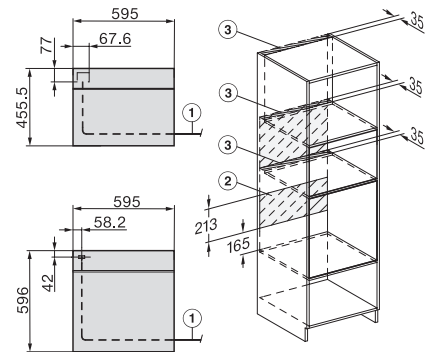
side view H7000 XL build-under, installation drawing, GB, AU

22 mm – glass, 23.3 mm – metal



Side view Kombi BM XL, installation drawings

22 mm – glass, 23.3 mm – metal



Installation Kombi BM XL, installation drawings

22 mm – glass, 23.3 mm – metal