

## H 7640 BM

Compact microwave combination oven  
with a seamless design, automatic programmes and food probe



- Touch display with movement sensor – M Touch S + MotionReact
- Easy cleaning – compartment with PerfectClean & linen structure
- Faster and more consistent results – Quick & Gentle
- Network-enabled WiFi appliance – Miele@home
- Get what you want in one easy step – Quick MW and Popcorn button

EAN: 4002516158998 / Material number: 11093660 /  
Old Material Number: 22764046GB

General information	
Model identifier	H 7640 BM
Manufacturer material number	11093660
EAN number	4002516158998
Marketing class	Platinum
Construction type and design	
PureLine	•
Construction type and design	
Built-in microwave combination oven	•
Colour	Stainless steel/Clean Steel
User convenience	
3 in 1	Oven, Microwave, Oven with microwave function
Convenience features	
Quick & Gentle	•
Rapid heat-up	•
Pre-heating	•
Food probe	With cable
Keeping warm	•
Crisp function	•
Operating modes	
Defrosting	•
Auto roast	•
Fan plus	•
Intensive bake	•
Low temperature cooking	•
Microwave	•
Microwave + Grill	•
Microwave + Fan plus	•
Microwave + Fan grill	•
Conventional heat	•
Bottom heat	•
Fan grill	•
Microwave with Auto roast	•
Special applications	•
Grill	•
Eco fan heat	•
Automatic programmes	•
Country-specific automatic programmes	•
User convenience	
MotionReact movement sensor	•
Networking with Miele@home	•
Display	M Touch S
SoftOpen	•
SoftClose	•
MultiLingua	•
MyMiele	•
Help function	•

## H 7640 BM

Compact microwave combination oven

with a seamless design, automatic programmes and food probe



EAN: 4002516158998 / Material number: 11093660 /  
Old Material Number: 22764046GB

Popcorn function	•
Time of day display	•
Clock synchronisation	•
Date display	•
Minute minder	•
Programmable start of cooking duration	•
Programmable end of cooking duration	•
Programmable cooking duration	•
Actual temperature display	•
Target temperature display	•
Buzzer when desired temperature is reached	•
Recommended temperature	•
Recommended microwave power	•
Quick microwave	•
User programmes	•
Sabbath programme	•
Individual settings	•
<b>Efficiency and sustainability</b>	
Automatic residual heat utilisation	•
Power rating in off mode in W	0.3
Power rating in standby mode in W	0.8
Power rating in networked standby in W	2.0
Time until automatic switch to off mode in min	20
Time until automatic switch to standby in min	20
Time until automatic switch to networked standby in min	20
<b>Cleaning and care</b>	
Stainless steel/CleanSteel finish	•
Stainless-steel oven compartment with linen structure and PerfectClean	•
Hinged grill element	•
CleanGlass door	•
<b>Safety</b>	
Appliance cooling system and touch-cool front	•
Safety switch-off	•
System lock	•
Sensor lock	•
<b>Technical data</b>	
Oven compartment volume in l	43
No. of shelf levels	3
Oven light	1 LED spot
Temperatures in °C	30–250
Plug type	3 pole without plug
Electronically controlled microwave power	•
Microwave power levels in W	
Niche width min. in mm	560
Niche width max. in mm	568
Niche height min. in mm	450
Niche height max. in mm	452
Niche depth in mm	550

## H 7640 BM

Compact microwave combination oven  
with a seamless design, automatic programmes and food probe



EAN: 4002516158998 / Material number: 11093660 /  
Old Material Number: 22764046GB

Weight in kg	38.0
Total rated load in kW	3.20
Length of supply lead in m	2.00
Voltage in V	220-240
Frequency in Hz	50
Fuse rating in A	16
Number of phases	1
Replacing lamps	Service

### Accessories included

Baking and roasting rack with PerfectClean	1
Wired food probe	1
Glass tray	1

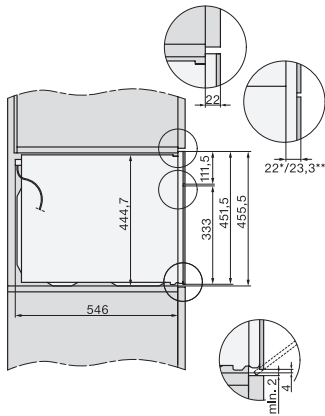
### Available display languages

Available display languages via MultiLingua

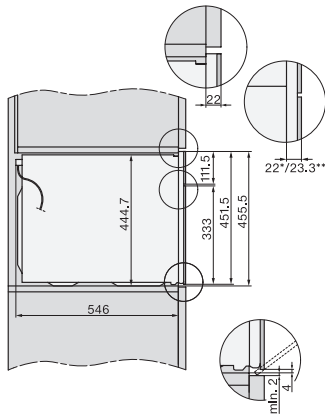
???, ??, ?  
 ???, deutsch, dansk,  
 english, suomi, français,  
 ελληνικά, italiano, ???,  
 ???, hrvatski, bahasa  
 malaysia, nederlands, norsk,  
 polski, português, română,  
 русский, svenska, srpski,  
 slovenčina, slovenščina,  
 español, čeština, türkçe,  
 українська, magyar

## H 7640 BM

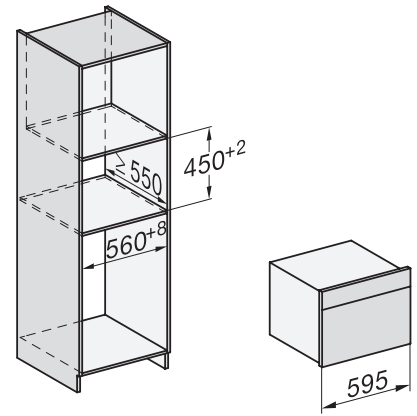
Compact microwave combination oven  
with a seamless design, automatic programmes and food probe



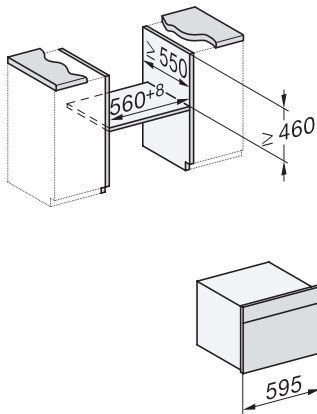
side view H7000 BM, installation drawings  
22 mm – glass, 23,3 mm – metal



side view H7000 BM, installation drawings, GB, AUS  
22 mm – glass, 23,3 mm – metal

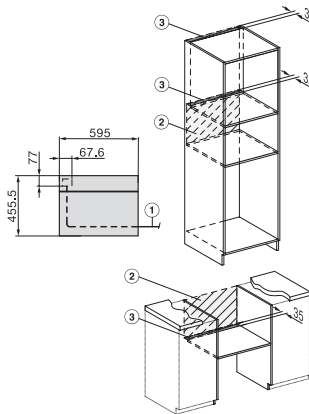


built-in H7000 BM, installation drawing



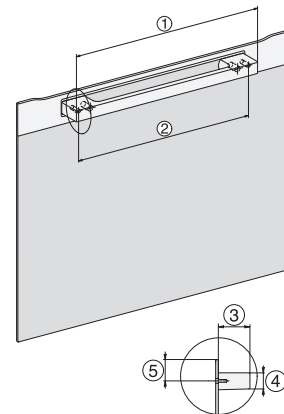
built-in H7000 BM build-under, installation drawings

If the oven is to be installed under a hob, follow the instructions for installing the hob and the height of the hob.



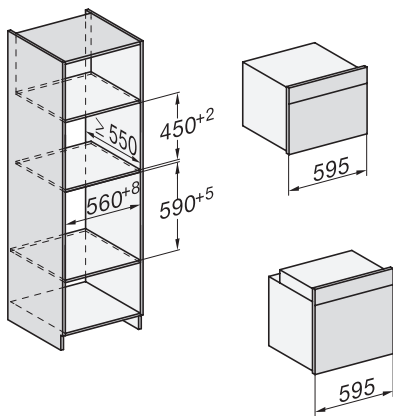
Installation H7000BM, installation drawings, GB, AUS

1) Mains connection cable, L=2000 mm, 2) No connection in this area, 3) Lüftungsausschnitt min. 150 cm<sup>2</sup>

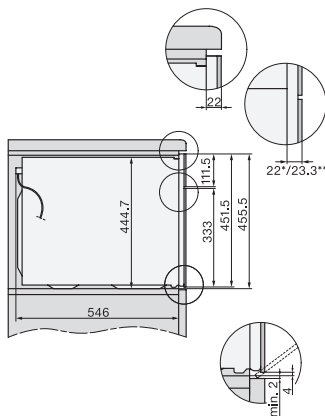


H7000 handle, installation drawing

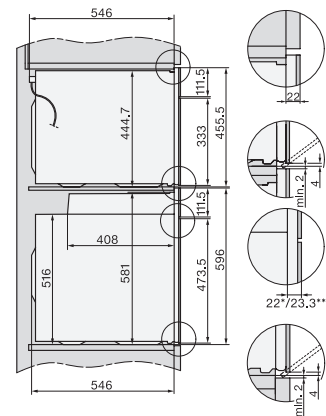
1) 400 mm, 2) 360 mm, 3) 47 mm, 4) 24 mm, 5) 32.5 mm



Installation H7000 BM XL, installation drawings



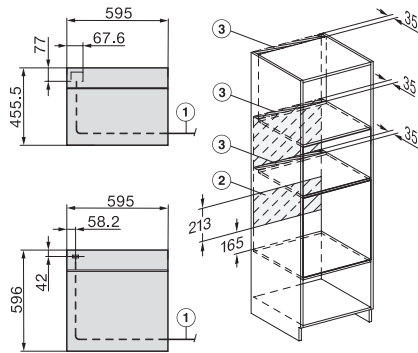
side view H7000 BM build-under, installation drawing,  
GB, AU  
22 mm – glass, 23,3 mm – metal



Side view Kombi BM XL, installation drawings  
22 mm – glass, 23,3 mm – metal

## H 7640 BM

Compact microwave combination oven  
with a seamless design, automatic programmes and food probe



Installation Kombi BM XL, installation drawings

22 mm – glass, 23,3 mm – metal