

H 7890 BP

90 cm wide oven

seamless design with food probe and BrilliantLight.



- Large touch display with movement sensor – M Touch + MotionReact
- An eye on what's cooking anywhere, any time – camera in the oven
- Minimal cleaning effort – Pyrolytic cleaning equipment & PyroFit
- Especially light dough and nicely browned crusts – Moisture plus
- Fast heating and even heat distribution – TwinPower



EAN: 4002516219255 / Material number: 11093840 /
Old Material Number: 22789045GB

| General information | |
|---------------------------------------|-----------------------------|
| Model identifier | H 7890 BP |
| Manufacturer material number | 11093840 |
| EAN number | 4002516219255 |
| Marketing class | Diamond |
| Construction type and design | |
| PureLine | • |
| Construction type and design | |
| Built-in oven | • |
| Colour | Stainless steel/Clean Steel |
| Convenience features | |
| Rapid heat-up | • |
| Pre-heating | • |
| Food probe | Without cable |
| Keeping warm | • |
| Crisp function | • |
| Rotisserie motor | • |
| Operating modes | |
| Defrosting | • |
| Auto roast | • |
| Economy grill | • |
| Moisture plus with Conventional heat | • |
| Fan plus | • |
| Moisture plus with Fan plus | • |
| Intensive bake | • |
| Moisture plus with Intensive bake | • |
| Moisture plus | • |
| Moisture plus with Conventional heat | • |
| Low temperature cooking | • |
| Conventional heat | • |
| Top heat | • |
| Bottom heat | • |
| Fan grill | • |
| Special applications | • |
| Grill | • |
| Eco fan heat | • |
| Automatic programmes | • |
| Country-specific automatic programmes | • |
| User convenience | |
| Networking with Miele@home | • |
| Display | M Touch |
| FoodView | • |
| SoftOpen | • |
| SoftClose | • |
| MultiLingua | • |
| MyMiele | • |
| Help function | • |
| 3D control panel | • |

H 7890 BP

90 cm wide oven

seamless design with food probe and BrilliantLight.

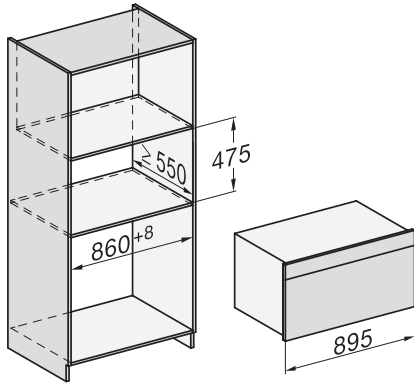


EAN: 4002516219255 / Material number: 11093840 /

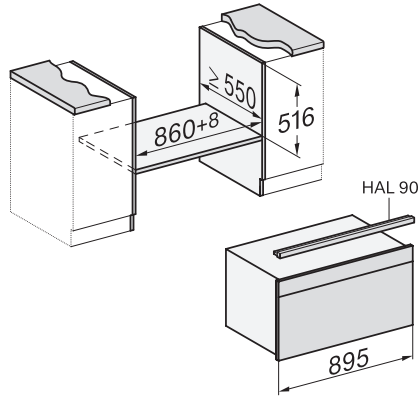
Old Material Number: 22789045GB

| | |
|---|---------------------|
| Programmable timed steam injection | • |
| Polyphonic buzzers | • |
| Time of day display | • |
| Clock synchronisation | • |
| Date display | • |
| Minute minder | • |
| Programmable start of cooking duration | • |
| Programmable end of cooking duration | • |
| Programmable cooking duration | • |
| Actual temperature display | • |
| Target temperature display | • |
| Buzzer when desired temperature is reached | • |
| Recommended temperature | • |
| User programmes | • |
| Sabbath programme | • |
| Individual settings | • |
| Efficiency and sustainability | |
| Energy efficiency class (A+++ – D) | A |
| Automatic residual heat utilisation | • |
| Power rating in off mode in W | 0.3 |
| Power rating in standby mode in W | 0.8 |
| Power rating in networked standby in W | 2.0 |
| Time until automatic switch to off mode in min | 20 |
| Time until automatic switch to standby in min | 20 |
| Time until automatic switch to networked standby in min | 20 |
| Cleaning and care | |
| Stainless steel/CleanSteel finish | • |
| Pyrolytic self-cleaning | • |
| Catalyser | • |
| Hinged grill element | • |
| CleanGlass door | • |
| Steam techn./water supply | |
| Steam generator power in kW | 1.10 |
| Fresh water container volume in l | 0.3 |
| Suction tube for drawing in water | • |
| Safety | |
| Appliance cooling system and touch-cool front | • |
| Safety switch-off | • |
| System lock | • |
| Door lock during pyrolytic cleaning | • |
| Sensor lock | • |
| Technical data | |
| Oven compartment volume in l | 90 |
| No. of shelf levels | 3 |
| Numbered shelf levels | • |
| Oven light | BrilliantLight |
| TwinPower hot air fan | • |
| Plug type | 3 pole without plug |

H 7890 BP
90 cm wide oven
seamless design with food probe and BrilliantLight.

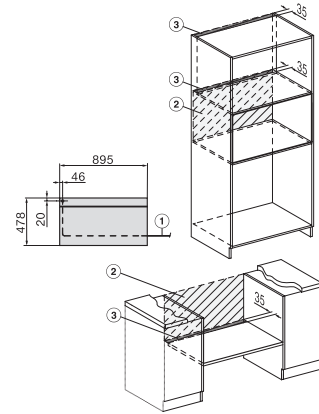


built-in H7000 90, installation drawing



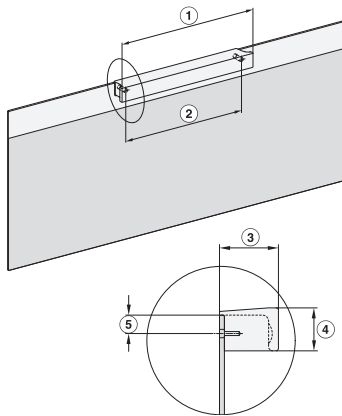
built-in H7000 90 build-under, installation drawing

If the oven is to be installed under a hob, follow the instructions for installing the hob and the height of the hob.



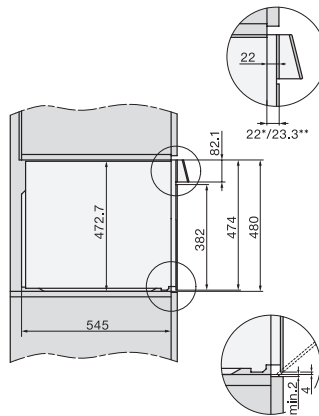
installation H7000 90, installation drawing

1) Mains connection cable, L=2000 mm, 2) No connection in this area, 3) Lüftungsausschnitt min. 150 cm²



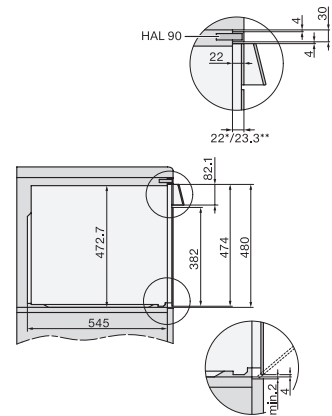
H7890BP, installation drawings

1) 350 mm, 2) 300 mm, 3) 48 mm, 4) 35 mm, 5) 16.5 mm



side view H7000 90, installation drawings, GB, AU

22 mm – glass, 23,3 mm – metal



side view H7000 90 build-under, installation drawing, GB, AU

22 mm – glass, 23,3 mm – metal