

M 7140 TC

Built-in microwave oven

in an attractive stainless steel design with controls on the top.



- Clear-text display with sensor controls – DirectSensor S
- Perfect defrosting and cooking – Automatic programmes
- Plenty of room – 46 l oven compartment volume and 40 cm turntable
- Very powerful microwave – 900 W
- Popcorn at the touch of a button – Popcorn button

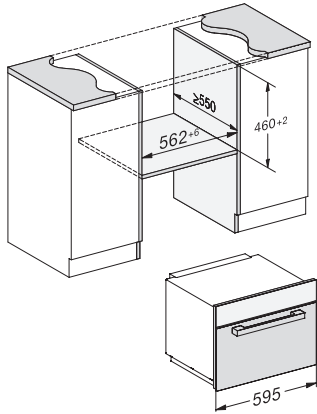
EAN: 4002516103349 / Material number: 11093930 /
Old Material Number: 24714040GB

General information	
Model identifier	M 7140 TC
Manufacturer material number	11093930
EAN number	4002516103349
Marketing class	Gold
Construction type and design	
ContourLine	•
TopControl	•
Construction type and design	
Built-in microwave oven	•
Colour	Stainless steel/Clean Steel
Convenience features	
Keeping warm	•
Operating modes	
Microwave	•
Automatic programmes	•
User convenience	
Display	DirectSensor S
SoftOpen	•
SoftClose	•
MultiLingua	•
Popcorn function	•
Time of day display	•
Minute minder	•
Programmable end of cooking duration	•
Programmable cooking duration	•
Quick microwave	•
Individual settings	•
Efficiency and sustainability	
Night dimming	•
Power rating in off mode in W	0.3
Power rating in standby mode in W	0.8
Time until automatic switch to off mode in min	20
Time until automatic switch to standby in min	20
Cleaning and care	
Stainless steel/CleanSteel finish	•
Stainless steel oven compartment	•
CleanGlass door	•
Safety	
System lock	•
Safety switch-off	•
Safety lock "Door" warning	•
Technical data	
Oven compartment volume in l	46
Door hinge	Bottom
Oven light	1 LED spot
Turntable diameter in cm	40.6
Oven interior height in cm	23.2

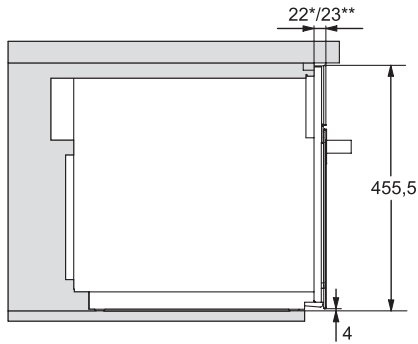
M 7140 TC

Built-in microwave oven

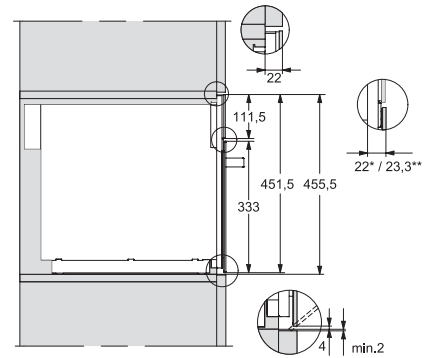
in an attractive stainless steel design with controls on the top.



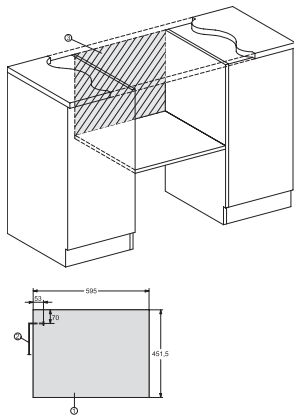
M7140TC, M724x, installation drawings



M7140TC, M724xTC, installation drawing

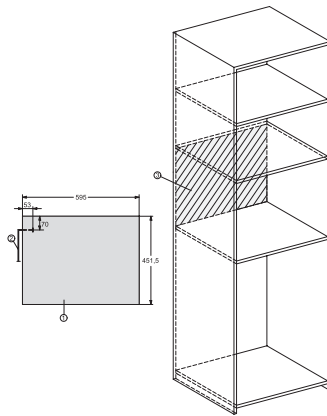


M7140TC, M724xTC, installation drawing
22 mm – glass, 23.3 mm – stainless steel



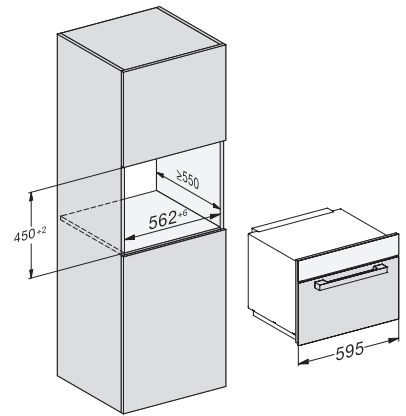
M7140TC, M724x, installation drawings

1) Front view, 2) Mains connection cable L=1,600 mm, 3)
No connection in this area



M7140TC, M724x, installation drawings

1) Front view, 2) Mains connection cable L=1,600 mm, 3)
No connection in this area



M7140TC, M724x, installation drawings