

DG 2740

Built-in steam oven

for healthy cooking with automatic programmes.



- 7-segment display with sensor controls – EasySensor
- Perfect results – DualSteam technology
- Easy preparation of a complete meal – menu cooking
- Perfect results guaranteed every time – Automatic programmes
- Plenty of room – 40 l stainless steel oven compartment

EAN: 4002516156628 / Material number: 11094390 /
Old Material Number: 23274040GB

General information	
Model identifier	DG 2740
Manufacturer material number	11094390
EAN number	4002516156628
Marketing class	Silver
Construction type and design	
Colour	Stainless steel/Clean Steel
ContourLine	•
Construction type and design	
Built-in steam oven	•
Convenience features	
External steam generation	•
Menu cooking without transfer of taste	•
Automatic programmes with ability to make individual adjustments	•
Operating modes	
Steam cooking	•
Eco steam cooking	•
Defrosting	•
Reheat	•
Automatic programmes	•
User convenience	
Display	EasySensor
SoftOpen	•
SoftClose	•
Quantity-independent cooking	•
Steam cooking on up to 3 levels at the same time	•
Menu cooking with steam	•
Steam reduction before end of programme	•
Programmable cooking duration	•
Actual temperature display	•
Individual settings	•
Cleaning and care	
Stainless steel/CleanSteel finish	•
Stainless-steel oven compartment with linen structure	•
External steam generator	•
Floor heater for condensate reduction	•
Quick-release side racks	•
Removable stainless-steel side racks	•
Descaling	•
CleanGlass door	•
Steam techn./water supply	
DualSteam	•
Fresh water container volume in l	1.5
Removal of fresh water container with Push2release	•
DirectWater	No
Safety	
Appliance cooling system and touch-cool front	•

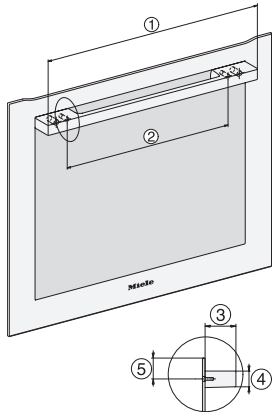
DG 2740
 Built-in steam oven
 for healthy cooking with automatic programmes.



EAN: 4002516156628 / Material number: 11094390 /
 Old Material Number: 23274040GB

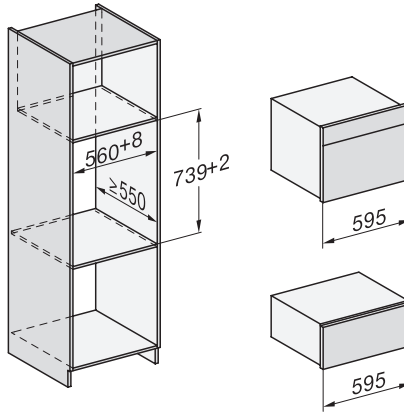
Safety switch-off	•
Vapour cooling system	•
Technical data	
L oven compartment	•
Oven compartment volume in l	40
No. of shelf levels	4
Door hinge	Bottom
Electronic steam oven temperature regulation min. in °C	40
Electronic steam oven temperature regulation max. in °C	100
Niche width min. in mm	560
Niche width max. in mm	568
Niche height min. in mm	450
Niche height max. in mm	452
Niche depth in mm	550
Appliance dimensions (W x H x D) in mm	595 x 455 x 569
Appliance width in mm	595
Appliance height in mm	455
Appliance depth in mm	569
Weight in kg	26.8
Total rated load in kW	3.60
Voltage in V	230
Frequency in Hz	50-60
Fuse rating in A	16
Number of phases	1
Neutral conductor	Yes
Length of supply lead in m	2
Accessories included	
Removable side runners (pair)	1
No. of perforated stainless-steel cooking container	2
Solid stainless steel cooking containers, 40 mm high	1
Wire rack	1
Drip tray DGG 100 40	1
Descaling tablets	2

DG 2740
Built-in steam oven
for healthy cooking with automatic programmes.

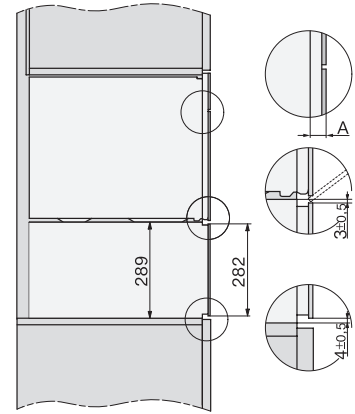


DG2740, DG7140, DGM7340, H2760B/BP, H7140BM, H7x64B/BP, H7x60B/BP installation drawings

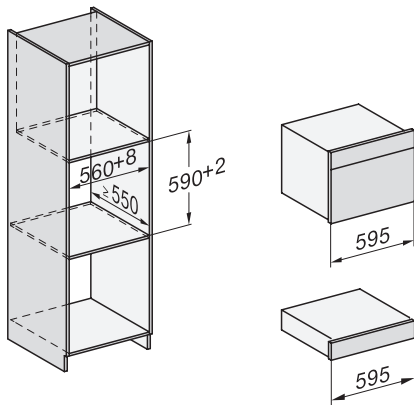
1) 474 mm, 2) 360 mm, 3) 43 mm, 4) 22,5 mm, 5) 53.75 mm



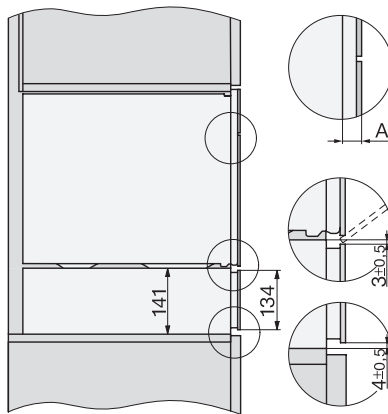
Installation DG, DGM, DGC XL, ESW7x20 installation drawings



side view, DG, DGM, ESW7x20 installation drawings

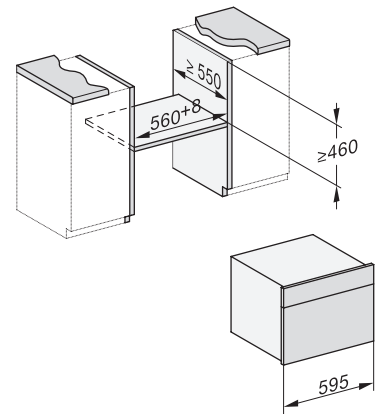


Installation_DG_DGM_DGC_XL_ESW7x10_EVS7010, installation drawings

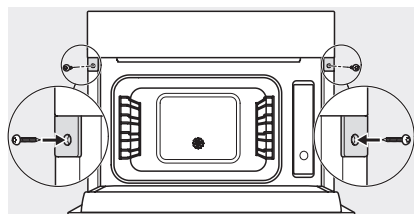


Side view_DG_DGM_ESW7x10_EVS7010 installation drawings

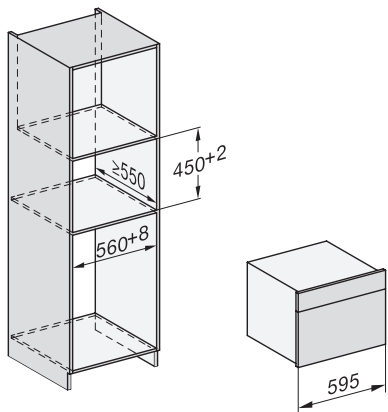
A) 22 mm glass, 23,3 mm stainless steel



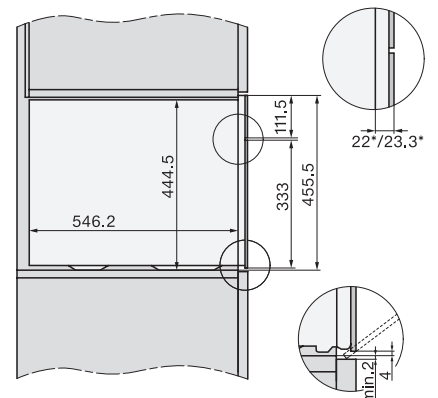
built-in DG DGM DGC XL build-under, installation drawing



Screw joint DG DGM, installation drawing

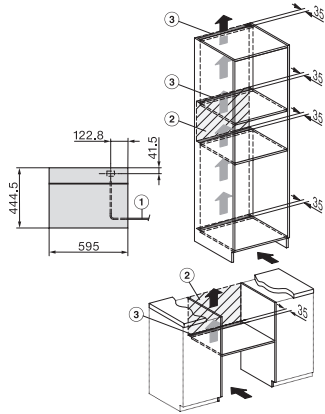


DG DGM, installation drawing



side view DG DGM, installation drawing, GB, AU
22 mm glass, 23,3 mm stainless steel

DG 2740
Built-in steam oven
for healthy cooking with automatic programmes.



installation DG, installation drawing, GB, AU

1) Mains connection cable, L=2000 mm, 2) No connection in this area, 3) Ventilation cutout min. 180 cm²