

DG 7140

Built-in steam oven

for healthy cooking with automatic programmes and networking.



- Clear-text display with sensor controls – DirectSensor S
- Perfect results – DualSteam technology
- Perfect results guaranteed every time – Automatic programmes
- Easy preparation of a complete meal – menu cooking
- Network-enabled WiFi appliance – Miele@home

EAN: 4002516156642 / Material number: 11094410 /
Old Material Number: 23714040GB

| General information | |
|--|-----------------------------|
| Model identifier | DG 7140 |
| Manufacturer material number | 11094410 |
| EAN number | 4002516156642 |
| Marketing class | Gold |
| Construction type and design | |
| ContourLine | • |
| Construction type and design | |
| Built-in steam oven | • |
| Colour | Stainless steel/Clean Steel |
| Convenience features | |
| External steam generation | • |
| Menu cooking without transfer of taste | • |
| Automatic programmes with ability to make individual adjustments | • |
| Keeping warm | • |
| Operating modes | |
| Steam cooking | • |
| Eco steam cooking | • |
| Defrosting | • |
| Reheat | • |
| Automatic programmes | • |
| Special applications | • |
| User convenience | |
| Networking with Miele@home | • |
| Display | DirectSensor S |
| SoftOpen | • |
| SoftClose | • |
| MultiLingua | • |
| Quantity-independent cooking | • |
| Steam cooking on up to 3 levels at the same time | • |
| Menu cooking with steam | • |
| Steam reduction before end of programme | • |
| Time of day display | • |
| Minute minder | • |
| Programmable start of cooking duration | • |
| Programmable end of cooking duration | • |
| Programmable cooking duration | • |
| Actual temperature display | • |
| Recommended temperature | • |
| Individual settings | • |
| Efficiency and sustainability | |
| Power rating in off mode in W | 0.3 |
| Power rating in standby mode in W | 0.8 |
| Power rating in networked standby in W | 2.0 |
| Time until automatic switch to off mode in min | 20 |
| Time until automatic switch to standby in min | 20 |
| Time until automatic switch to networked standby in min | 20 |

DG 7140

Built-in steam oven

for healthy cooking with automatic programmes and networking.



EAN: 4002516156642 / Material number: 11094410 /
Old Material Number: 23714040GB

Cleaning and care

| | |
|---|---|
| Stainless steel/CleanSteel finish | • |
| Stainless-steel oven compartment with linen structure | • |
| External steam generator | • |
| Floor heater for condensate reduction | • |
| Quick-release side racks | • |
| Removable stainless-steel side racks | • |
| Descaling | • |
| CleanGlass door | • |

Steam techn./water supply

| | |
|--|-----|
| DualSteam | • |
| Fresh water container volume in l | 1.5 |
| Removal of fresh water container with Push2release | • |
| DirectWater | No |

Safety

| | |
|---|---|
| Appliance cooling system and touch-cool front | • |
| Safety switch-off | • |
| System lock | • |
| Vapour cooling system | • |
| Sensor lock | • |

Technical data

| | |
|---|-----------------|
| Oven compartment volume in l | 40 |
| No. of shelf levels | 4 |
| Door hinge | Bottom |
| Electronic steam oven temperature regulation min. in °C | 40 |
| Electronic steam oven temperature regulation max. in °C | 100 |
| Niche width min. in mm | 560 |
| Niche width max. in mm | 568 |
| Niche height min. in mm | 450 |
| Niche height max. in mm | 452 |
| Niche depth in mm | 550 |
| Appliance dimensions (W x H x D) in mm | 595 x 455 x 569 |
| Weight in kg | 26.4 |
| Total rated load in kW | 3.60 |
| Voltage in V | 230 |
| Frequency in Hz | 50-60 |
| Fuse rating in A | 16 |
| Number of phases | 1 |
| Mains cable with plug | • |
| Length of supply lead in m | 2 |

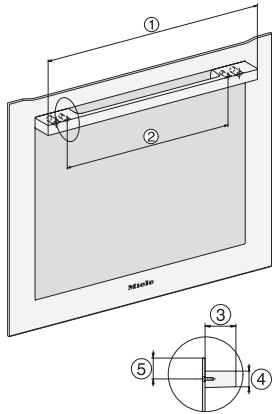
Accessories included

| | |
|--|---|
| Removable side runners (pair) | 1 |
| No. of perforated stainless-steel cooking container | 2 |
| Solid stainless steel cooking containers, 40 mm high | 1 |
| Wire rack | 1 |
| Drip tray DGG 100 40 | 1 |
| Descaling tablets | 2 |

DG 7140

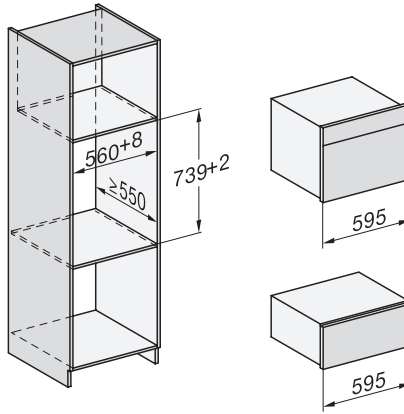
Built-in steam oven

for healthy cooking with automatic programmes and networking.

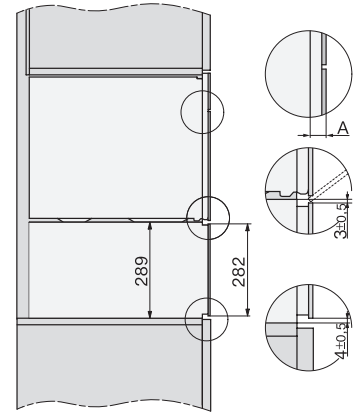


DG2740, DG7140, DGM7340, H2760B/BP, H7140BM, H7x64B/BP, H7x60B/BP installation drawings

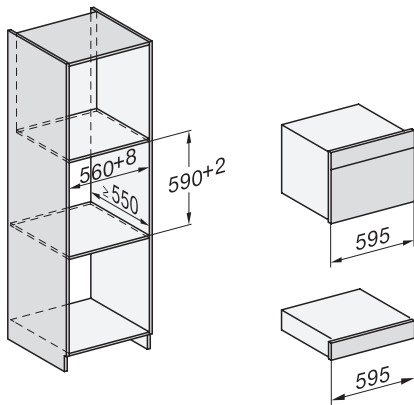
1) 474 mm, 2) 360 mm, 3) 43 mm, 4) 22,5 mm, 5) 53.75 mm



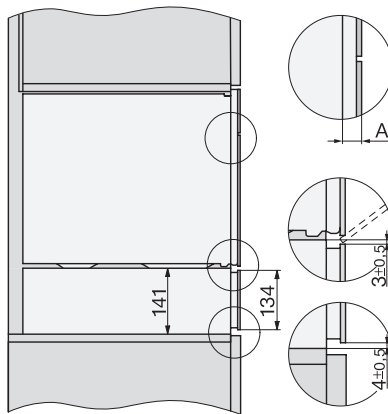
Installation DG, DGM, DGC XL, ESW7x20 installation drawings



side view, DG, DGM, ESW7x20 installation drawings

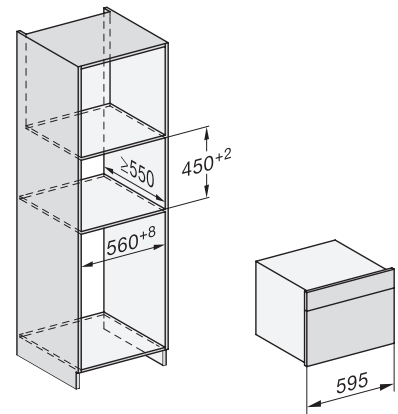


Installation_DG_DGM_DGC_XL_ESW7x10_EVS7010, installation drawings

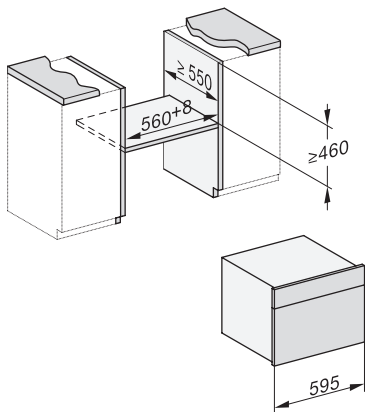


Side view_DG_DGM_ESW7x10_EVS7010 installation drawings

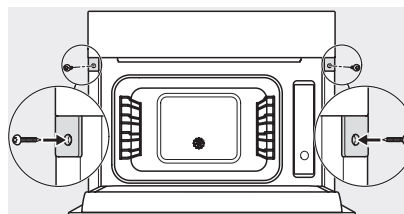
A) 22 mm glass, 23,3 mm stainless steel



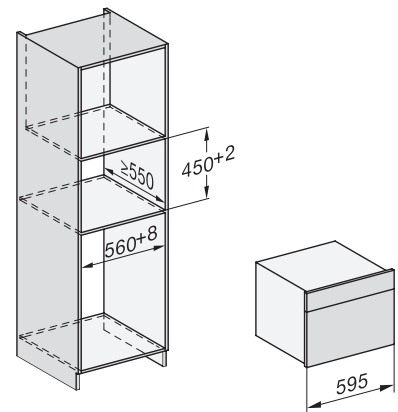
DG7xxx, DGM7xxx, installation drawings



built-in DG DGM DGC XL build-under, installation drawing



Screw joint DG DGM, installation drawing

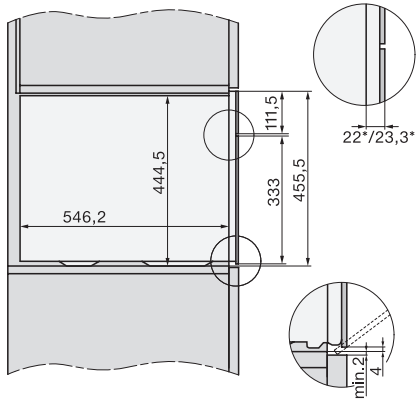


DG DGM, installation drawing

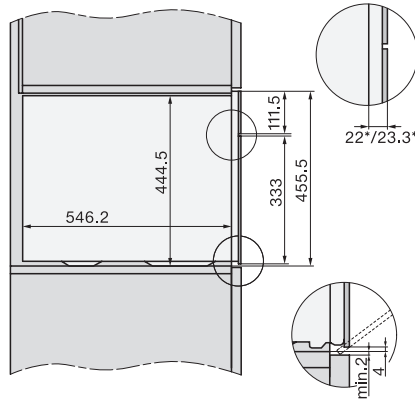
DG 7140

Built-in steam oven

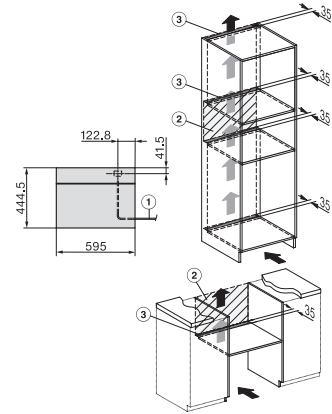
for healthy cooking with automatic programmes and networking.



side view DG DGM, installation drawings
22 mm glass, 23,3 mm metal



side view DG DGM, installation drawing, GB, AU
22 mm glass, 23,3 mm stainless steel



installation DG, installation drawing, GB, AU

1) Mains connection cable, L=2000 mm, 2) No connection in this area, 3) Ventilation cutout min. 180 cm²