

DGM 7640

Steam oven with microwave

for healthy cooking and rapid heating-up with networking and menu cooking.



- Touch display with proximity sensor – M Touch S + MotionReact
- Perfect results – DualSteam technology
- Consistent and quick microwave results – Quick & Gentle
- Perfect results guaranteed every time – Automatic programmes
- Shorter cooking durations by combining steam with microwave power

EAN: 4002516166498 / Material number: 11094490 /
Old Material Number: 23764044GB

General information	
Model identifier	DGM 7640
Manufacturer material number	11094490
EAN number	4002516166498
Marketing class	Platinum
Construction type and design	
PureLine	•
Construction type and design	
Steam oven with microwave	•
Colour	Stainless steel/Clean Steel
Convenience features	
Quick & Gentle	•
External steam generation	•
Menu cooking without transfer of taste	•
Automatic programmes with ability to make individual adjustments	•
Keeping warm	•
Operating modes	
Steam cooking	•
Microwave	•
Rapid cooking	•
Eco steam cooking	•
Defrosting	•
Reheat	•
Automatic programmes	•
Country-specific automatic programmes	•
Special applications	•
User convenience	
Networking with Miele@home	•
Display	M Touch S
MotionReact proximity sensor	•
SoftOpen	•
MultiLingua	•
MyMiele	•
Help function	•
Popcorn function	•
Quantity-independent cooking	•
Steam cooking on up to 3 levels at the same time	•
Automatic menu cooking	•
Steam reduction before end of programme	•
Time of day display	•
Date display	•
Minute minder	•
Programmable start of cooking duration	•
Programmable end of cooking duration	•
Programmable cooking duration	•
Actual temperature display	•
Target temperature display	•

DGM 7640

Steam oven with microwave

for healthy cooking and rapid heating-up with networking and menu cooking.



EAN: 4002516166498 / Material number: 11094490 /
Old Material Number: 23764044GB

Buzzer when desired temperature is reached	•
Recommended temperature	•
Quick microwave	•
User programmes	•
Individual settings	•
Efficiency and sustainability	
Power rating in off mode in W	0.3
Power rating in standby mode in W	0.8
Power rating in networked standby in W	2.0
Time until automatic switch to off mode in min	20
Time until automatic switch to standby in min	20
Time until automatic switch to networked standby in min	20
Cleaning and care	
Stainless steel/CleanSteel finish	•
Stainless-steel oven compartment with linen structure	•
External steam generator	•
Floor heater for condensate reduction	•
Soak programme	•
Quick-release side racks	•
Removable stainless-steel side racks	•
Descaling	•
CleanGlass door	•
Steam techn./water supply	
DualSteam	•
Fresh water container volume in l	1.5
Removal of fresh water container with Push2release	•
Safety	
Appliance cooling system and touch-cool front	•
Safety switch-off	•
System lock	•
Vapour cooling system	•
Sensor lock	•
Technical data	
Oven compartment volume in l	40
No. of shelf levels	4
Door hinge	Bottom
Oven light	2 LED spots
Electronic steam oven temperature regulation min. in °C	40
Electronic steam oven temperature regulation max. in °C	100
Electronically controlled microwave power	•
Microwave power levels in W	
Niche width min. in mm	560
Niche width max. in mm	568
Niche height min. in mm	450
Niche height max. in mm	452
Niche depth in mm	550
Appliance dimensions (W x H x D) in mm	595 x 455 x 569
Weight in kg	30.6

DGM 7640

Steam oven with microwave

for healthy cooking and rapid heating-up with networking and menu cooking.



EAN: 4002516166498 / Material number: 11094490 /
Old Material Number: 23764044GB

Total rated load in kW	3.30
Voltage in V	230
Frequency in Hz	50
Fuse rating in A	16
Number of phases	1
Mains cable with plug	•
Length of supply lead in m	2
Replacing lamps	Service

Accessories included

Removable side runners (pair)	1
No. of perforated stainless-steel cooking container	2
Solid stainless steel cooking containers, 40 mm high	1
Solid stainless steel cooking containers, 80 mm high	1
Wire rack	1
Glass tray DMGS 100 30	1
Descaling tablets	2

Available display languages

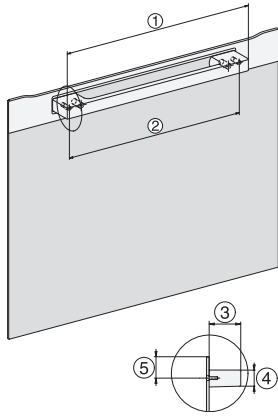
Available display languages via MultiLingua

[?][?][?][?][?][?][?][?], [?][?], [?]
 [?][?][?], deutsch, dansk,
 english, suomi, français,
 ελληνικά, italiano, [?][?][?],
 [?][?][?], hrvatski, bahasa
 malaysia, nederlands, norsk,
 polski, portugês, română,
 русский, svenska, srpski,
 slovenčina, slovenščina,
 español, čeština, türkçe,
 українська, magyar

DGM 7640

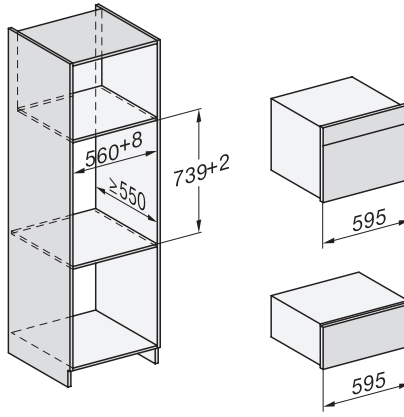
Steam oven with microwave

for healthy cooking and rapid heating-up with networking and menu cooking.

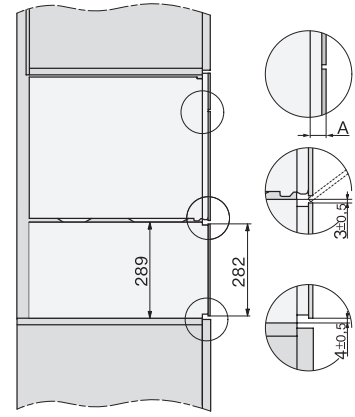


H7000 handle, installation drawing

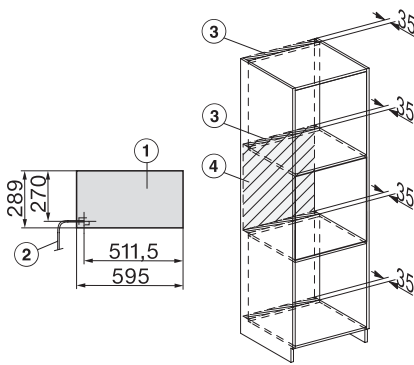
- 1) 400 mm, 2) 360 mm, 3) 47 mm, 4) 24 mm, 5) 32.5 mm



Installation DG, DGM, DGC XL, ESW7x20 installation drawings

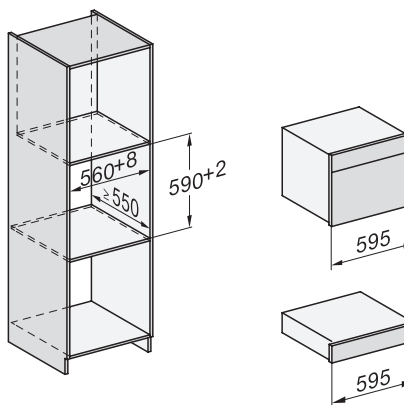


side view, DG, DGM, ESW7x20 installation drawings

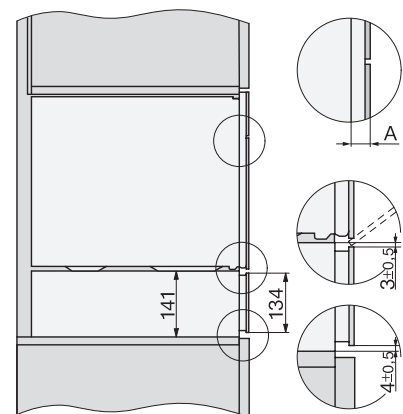


Installation, ESW7x20, DGM7x4x installation drawings

- 1) Front view, 2) Mains connection cable, L=2.000 mm, 3) Ventilation cut min. 180 cm², 4) No connection in this area

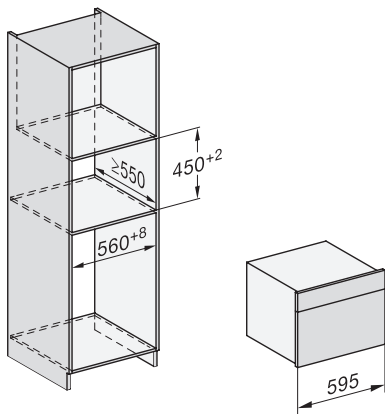


Installation_DG_DGM_DGC_XL_ESW7x10_EVS7010, installation drawings

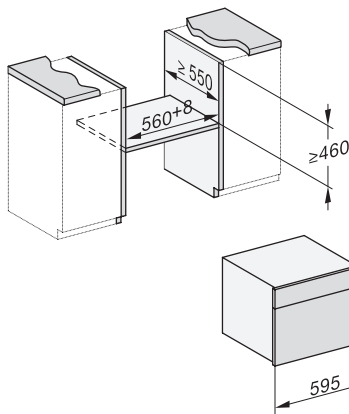


Side view_DG_DGM_ESW7x10_EVS7010 installation drawings

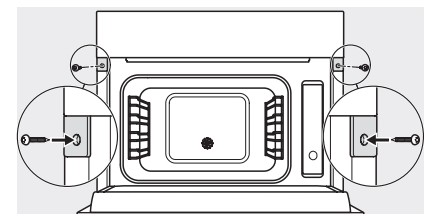
A) 22 mm glass, 23,3 mm stainless steel



DG7xxx, DGM7xxx, installation drawings



built-in DG DGM DGC XL build-under, installation drawing

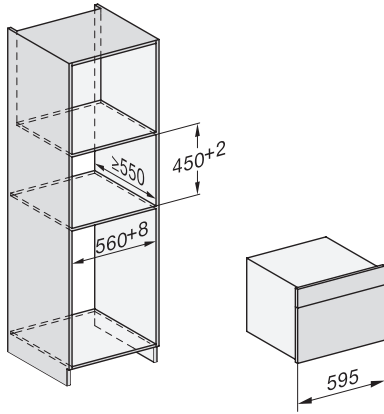


Screw joint DG DGM, installation drawing

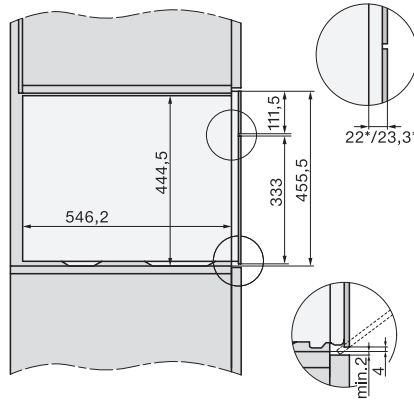
DGM 7640

Steam oven with microwave

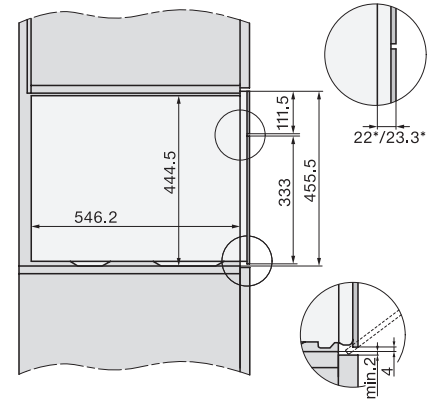
for healthy cooking and rapid heating-up with networking and menu cooking.



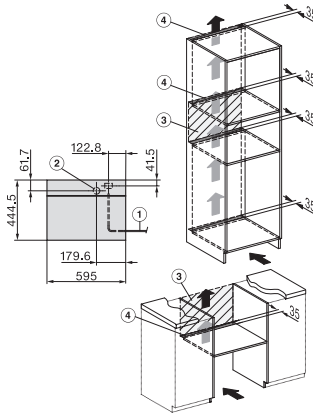
DG DGM, installation drawing



side view DG DGM, installation drawings
22 mm glass, 23,3 mm metal



side view DG DGM, installation drawing, GB, AU
22 mm glass, 23,3 mm stainless steel



installation DGM, installation drawing, GB, AU

- 1) Mains connection cable, L=2000 mm, 2) Water supply hose, L=2000 mm, 3) ventilation cut-out min. 180 cm², 4) no connection in this area