

DGM 7840

Steam oven with microwave

for healthy cooking & rapid heating-up with networking, menu cooking + M Touch.



- Large touch display with proximity sensor – M Touch + MotionReact
- Perfect results – DualSteam technology
- Consistent and quick microwave results – Quick & Gentle
- Perfect results guaranteed every time – Automatic programmes
- Shorter cooking durations by combining steam with microwave power

EAN: 4002516167129 / Material number: 11103440 / Old Material Number: 23784024GB

General information	
Model identifier	DGM 7840
Manufacturer material number	11103440
EAN number	4002516167129
Marketing class	Diamond
Construction type and design	
VitroLine	•
Construction type and design	
Steam oven with microwave	•
Colour	Obsidian black
Convenience features	
Quick & Gentle	•
External steam generation	•
Menu cooking without transfer of taste	•
Automatic programmes with ability to make individual adjustments	•
Keeping warm	•
Operating modes	
Steam cooking	•
Microwave	•
Rapid cooking	•
Eco steam cooking	•
Defrosting	•
Reheat	•
Automatic programmes	•
Country-specific automatic programmes	•
Special applications	•
User convenience	
Networking with Miele@home	•
Display	M Touch
MotionReact proximity sensor	•
SoftOpen	•
MultiLingua	•
MyMiele	•
Help function	•
Popcorn function	•
Quantity-independent cooking	•
Steam cooking on up to 3 levels at the same time	•
Automatic menu cooking	•
Steam reduction before end of programme	•
Polyphonic buzzers	•
Time of day display	•
Date display	•
Minute minder	•
Programmable start of cooking duration	•
Programmable end of cooking duration	•
Programmable cooking duration	•
Actual temperature display	•

DGM 7840

Steam oven with microwave

for healthy cooking & rapid heating-up with networking, menu cooking + M Touch.



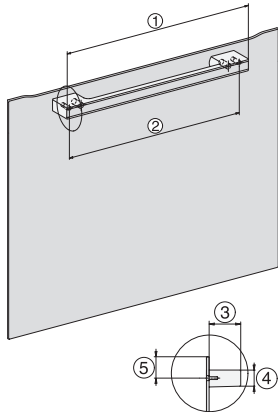
EAN: 4002516167129 / Material number: 11103440 / Old Material Number: 23784024GB

Target temperature display	•
Buzzer when desired temperature is reached	•
Recommended temperature	•
Quick microwave	•
User programmes	•
Individual settings	•
Efficiency and sustainability	
Power rating in off mode in W	0.3
Power rating in standby mode in W	0.8
Power rating in networked standby in W	2.0
Time until automatic switch to off mode in min	20
Time until automatic switch to standby in min	20
Time until automatic switch to networked standby in min	20
Cleaning and care	
Stainless-steel oven compartment with linen structure	•
External steam generator	•
Floor heater for condensate reduction	•
Soak programme	•
Quick-release side racks	•
Removable stainless-steel side racks	•
Descaling	•
CleanGlass door	•
Steam techn./water supply	
DualSteam	•
Fresh water container volume in l	1.5
Removal of fresh water container with Push2release	•
DirectWater	No
Safety	
Appliance cooling system and touch-cool front	•
Safety switch-off	•
System lock	•
Vapour cooling system	•
Sensor lock	•
Technical data	
Oven compartment volume in l	40
No. of shelf levels	4
Door hinge	Bottom
Oven light	2 LED spots
Electronic steam oven temperature regulation min. in °C	40
Electronic steam oven temperature regulation max. in °C	100
Electronically controlled microwave power	•
Microwave power levels in W	
Niche width min. in mm	560
Niche width max. in mm	568
Niche height min. in mm	450
Niche height max. in mm	452
Niche depth in mm	550
Appliance dimensions (W x H x D) in mm	595 x 455 x 569
Weight in kg	30.6

DGM 7840

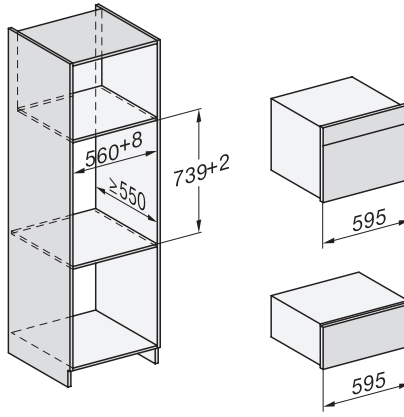
Steam oven with microwave

for healthy cooking & rapid heating-up with networking, menu cooking + M Touch.

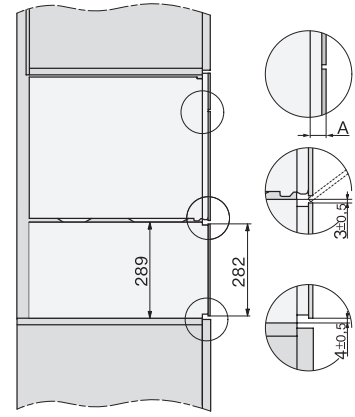


H7000 handle, glass, installation drawings

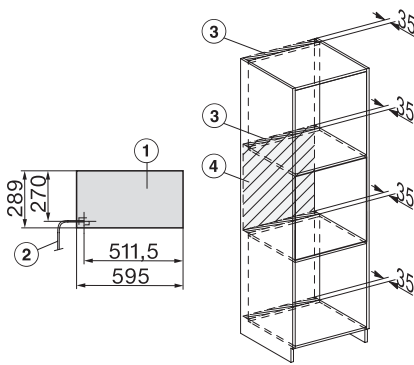
- 1) 400 mm, 2) 360 mm, 3) 47 mm, 4) 27 mm, 5) 32.5 mm



Installation DG, DGM, DGC XL, ESW7x20 installation drawings

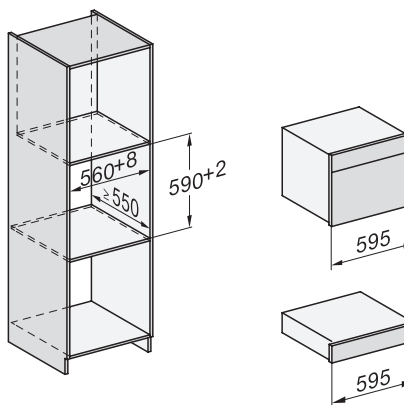


side view, DG, DGM, ESW7x20 installation drawings

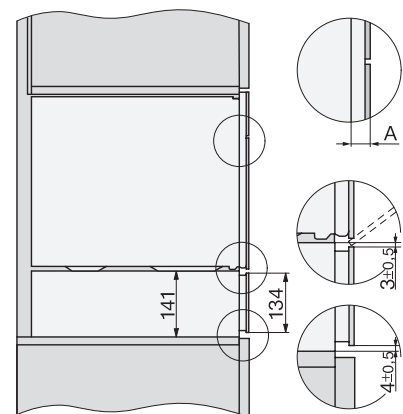


Installation, ESW7x20, DGM7x4x installation drawings

- 1) Front view, 2) Mains connection cable, L=2.000 mm, 3) Ventilation cut min. 180 cm², 4) No connection in this area

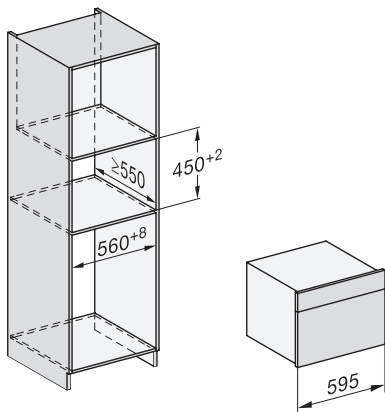


Installation_DG_DGM_DGC_XL_ESW7x10_EVS7010, installation drawings

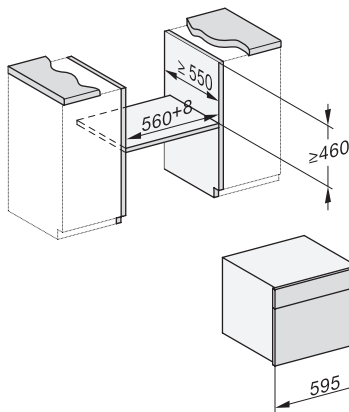


Side view_DG_DGM_ESW7x10_EVS7010 installation drawings

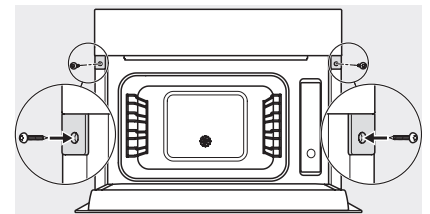
A) 22 mm glass, 23,3 mm stainless steel



DG7xxx, DGM7xxx, installation drawings



built-in DG DGM DGC XL build-under, installation drawing

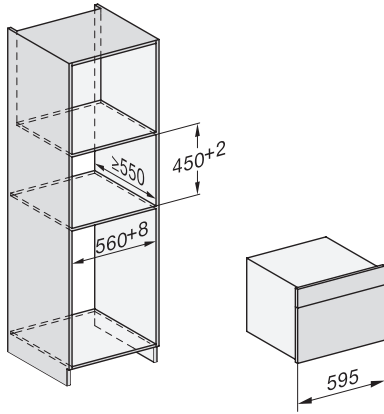


Screw joint DG DGM, installation drawing

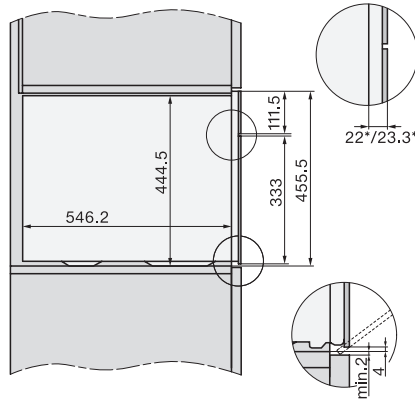
DGM 7840

Steam oven with microwave

for healthy cooking & rapid heating-up with networking, menu cooking + M Touch.

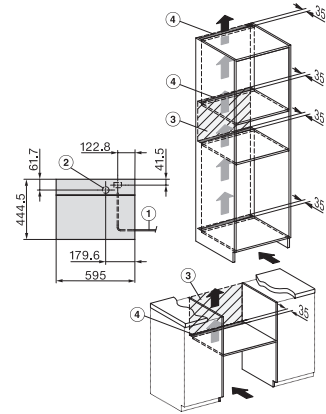


DG DGM, installation drawing



side view DG DGM, installation drawing, GB, AU

22 mm glass, 23,3 mm stainless steel



installation DGM, installation drawing, GB, AU

- 1) Mains connection cable, L=2000 mm, 2) Water supply hose, L=2000 mm, 3) ventilation cut-out min. 180 cm²,
- 4) no connection in this area