

KM 7464 FL

Induction hob with onset controls

with PowerFlex cooking area for maximum power output



- Quick selection via numerical keybank – ComfortSelect
- 4 cooking zones incl. 1 powerful PowerFlex cooking area
- A width of 620 mm for surface-mounted or flush-fit installation
- Shortest heating-up times – TwinBooster
- Communication with the cooker hood – automatic Con@ctivity function

EAN: 4002516149255 / Material number: 11144030 /
Old Material Number: 26746470GB

General information	
Model identifier	KM 7464 FL
Manufacturer material number	11144030
EAN number	4002516149255
Marketing class	Gold
Heating type	
Heating type	Induction
Construction type	
Independent of cooker	•
Design	
Elegant glass ceramic surface	•
Ceramic surface colour	Black
Flush	•
Surface-mounted installation	•
Cooking zone details	
Number of cooking zones	4
Number of cooking areas	1
Maximum number of pans	4
PowerFlex cooking zones	
No.	2
Type	PowerFlex cooking zone
Size in mm	Ø 150 – 230
Max. rating in W	2100
Max. Booster power rating in W	3000
Max. TwinBooster power rating in W	3650
1st cooking zone/cooking area	
Position	front left
Type	Dual-circuit ring
Size in mm	Ø 140-190
Max. rating in W	1850
Max. Booster power rating in W	2500
Max. TwinBooster power rating in W	3000
2nd cooking zone/cooking area	
Position	rear left
Type	Dual-circuit ring
Size in mm	Ø 100-160
Max. rating in W	1400
Max. Booster power rating in W	1700
Max. TwinBooster power rating in W	2200
3rd cooking zone/cooking area	
Position	right
Type	PowerFlex bridge
Size in mm	230x390
Max. rating in W	3400
Max. Booster power rating in W	4800
Max. TwinBooster power rating in W	7300
User convenience	
Networking with Miele@home	•

KM 7464 FL

Induction hob with onset controls

with PowerFlex cooking area for maximum power output



EAN: 4002516149255 / Material number: 11144030 /
Old Material Number: 26746470GB

Con@ctivity	•
Pan and pan size recognition	•
Operation via sensor controls	ComfortSelect
Display colour	Yellow
Permanent pan recognition	•
Stop & Go function	•
Recall function	•
Minute minder	•
Safety switch-off	•
Auto heat-up	•
Keeping warm	•
Individual setting options (e.g. buzzers)	•
Efficiency	
Power rating in off mode in W	0.5
Power rating in standby mode in W	0.8
Power rating in networked standby in W	2.0
Time until automatic switch to off mode in min	10
Time until automatic switch to standby in min	10
Time until automatic switch to networked standby in min	10
Cleaning and care	
Easy to clean ceramic glass	•
Safety	
Safety switch-off	•
Lock function	•
System lock	•
Integrated cooling fan	•
Overheating protection	•
Residual heat indicator	•
Technical data	
Dimensions in mm (width)	620
Dimensions in mm (height)	51
Dimensions in mm (depth)	520
Casing height incl. connection box in mm	51
Cutout dimensions in mm (width) with surface-mounted installation	600 mm
Cutout dimensions in mm (depth) with surface-mounted installation	500 mm
Internal cutout dimensions in mm (width) with flush installation	600
Internal cutout dimensions in mm (depth) with flush installation	500
Weight in kg	11
External cutout dimensions in mm (width) with flush installation	624
External cutout dimensions in mm (depth) with flush installation	524
Total rated load in kW	7.30
Length of supply lead in m	1.4
Voltage in V	230
Frequency in Hz	50-60

KM 7464 FL

Induction hob with onset controls

with PowerFlex cooking area for maximum power output



EAN: 4002516149255 / Material number: 11144030 /
Old Material Number: 26746470GB

Accessories included

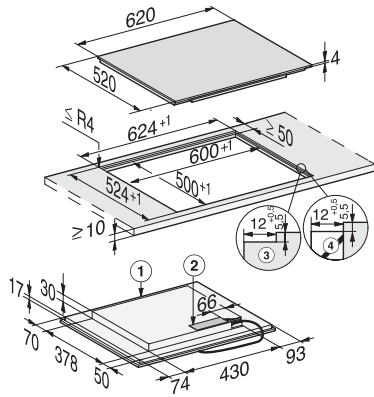
Mains cable

Yes

KM 7464 FL

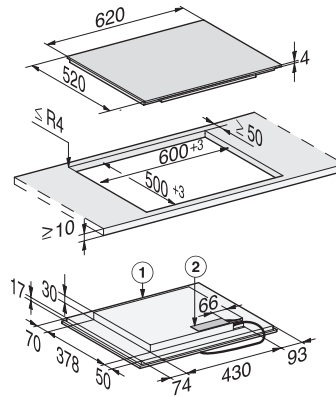
Induction hob with onset controls

with PowerFlex cooking area for maximum power output



KM7464FL, KM7465FL (installation drawings)

1) Front, 2) Mains connection box with mains connection cable, L = 1440 mm, 3) Stepped cut-out natural stone worktop, 4) Wood support 12 mm (not supplied),



KM7464FL, KM7465FL (installation drawings) onset

1) at the front 2) Mains connection box with mains connection cable, L = 1440 mm,