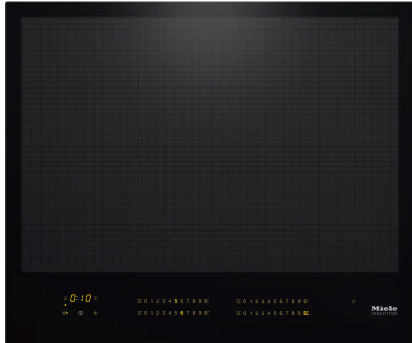


## KM 7667 FL

Induction hob with onset controls

with a width of 620 mm and full-surface induction for a high level of flexibility



- Intuitive quick selection via number sequences – Smart Select
- Intelligent pan recognition – for up to 4 pans
- Frameless for flush-fit or surface-mounted installation
- Broad performance spectrum – keeping warm function and TwinBooster
- Communication with the cooker hood – automatic Con@ctivity function

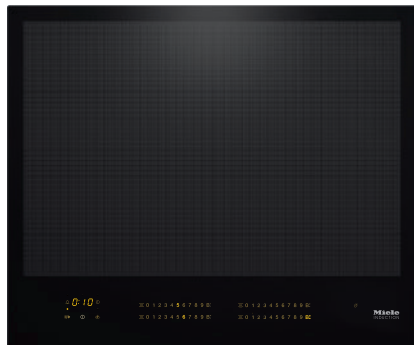
EAN: 4002516148821 / Material number: 11144080 / Old Material Number: 26766770GB

General information	
Model identifier	KM 7667 FL
Manufacturer material number	11144080
EAN number	4002516148821
Marketing class	Platinum
Heating type	
Heating type	Induction
Construction type	
Independent of cooker	•
Design	
Elegant glass ceramic surface	•
Ceramic surface colour	Black
Flush	•
Surface-mounted installation	•
Can be combined with SmartLine	•
Can be combined with SmartLine downdraft extractor	•
Cooking zone details	
Number of cooking areas	1
Maximum number of pans	4
1st cooking zone/cooking area	
Position	Can be selected freely
Type	Full area
Size in mm	570x390
Max. rating in W	2600
Max. Booster power rating in W	3300
Max. TwinBooster power rating in W	3650
User convenience	
Networking with Miele@home	•
Con@ctivity	•
Pan and pan size recognition	•
Operation via sensor controls	SmartSelect
Display colour	Yellow
Intelligent pan recognition	•
Positioning aid	•
Stop & Go function	•
Wipe protection	•
Recall function	•
Minute minder	•
Safety switch-off	•
Auto heat-up	•
Keeping warm	•
Individual setting options (e.g. buzzers)	•
Efficiency	
Power rating in off mode in W	0.5
Power rating in standby mode in W	0.8
Power rating in networked standby in W	2.0
Time until automatic switch to off mode in min	10
Time until automatic switch to standby in min	10

## KM 7667 FL

Induction hob with onset controls

with a width of 620 mm and full-surface induction for a high level of flexibility



EAN: 4002516148821 / Material number: 11144080 / Old Material Number: 26766770GB

Time until automatic switch to networked standby in min 10

### Cleaning and care

Easy to clean ceramic glass

•

### Safety

Safety switch-off

•

Lock function

•

System lock

•

Integrated cooling fan

•

Overheating protection

•

Residual heat indicator

•

### Technical data

Dimensions (H x W x D) in mm 51 x 620 x 520

Dimensions in mm (width) 620

Dimensions in mm (height) 51

Dimensions in mm (depth) 520

Cut-out dimensions (W x D) with flush-fit installation in mm 600/624 x 500/524

Casing height incl. connection box in mm 51

Cutout dimensions in mm (width) with surface-mounted installation 600 mm

Cutout dimensions in mm (depth) with surface-mounted installation 500 mm

Internal cutout dimensions in mm (width) with flush installation 600

Internal cutout dimensions in mm (depth) with flush installation 500

Weight in kg 11

External cutout dimensions in mm (width) with flush installation 624

External cutout dimensions in mm (depth) with flush installation 524

Total rated load in kW 7.30

Length of supply lead in m 1.4

Voltage in V 230

Frequency in Hz 50-60

### Accessories included

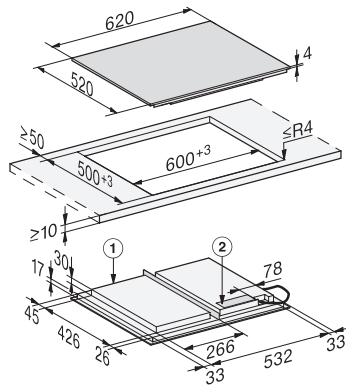
Mains cable

Yes

## KM 7667 FL

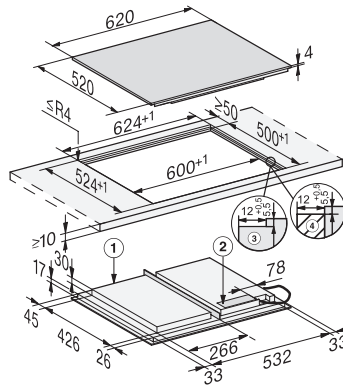
Induction hob with onset controls

with a width of 620 mm and full-surface induction for a high level of flexibility



KM7667FL, KM7667-1FL, KM7867FL, KM7867-1FL Diamond, KM7867-2FL Diamond – onset installation (installation drawings)

1) Front, 2) Mains connection box with mains connection cable, L = 1440 mm, are enclosed loosely,



KM7667FL, KM7667-1FL, KM7867FL, KM7867-1FLDiamond, KM7867-2FL Diamond – flush (installation drawings)

1) Front, 2) Mains connection box with mains connection cable, L = 1440 mm, are enclosed loosely, 3) Stepped cut-out natural stone worktop, 4) Wood support 12 mm (not supplied)