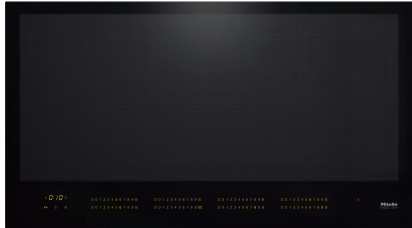


KM 7697 FL

Induction hob with onset controls

with a width of 936 mm and full-surface induction for maximum flexibility



- Intuitive quick selection via number sequences – Smart Select
- Intelligent pan recognition – for up to 6 pans
- Frameless for flush-fit or surface-mounted installation
- Broad performance spectrum – keeping warm function and TwinBooster
- Communication with the cooker hood – automatic Con@ctivity function

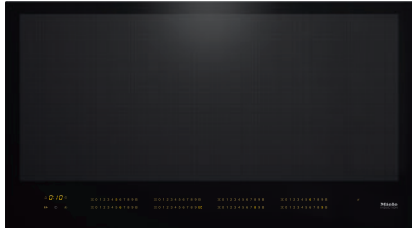
EAN: 4002516148708 / Material number: 11144090 /
Old Material Number: 26769770GB

| General information | |
|---------------------------------------------------------|------------------------|
| Model identifier | KM 7697 FL |
| Manufacturer material number | 11144090 |
| EAN number | 4002516148708 |
| Marketing class | Platinum |
| Heating type | |
| Heating type | Induction |
| Construction type | |
| Independent of cooker | • |
| Design | |
| Elegant glass ceramic surface | • |
| Ceramic surface colour | Black |
| Flush | • |
| Surface-mounted installation | • |
| Can be combined with SmartLine | • |
| Cooking zone details | |
| Number of cooking areas | 1 |
| Maximum number of pans | 6 |
| 1st cooking zone/cooking area | |
| Position | Can be selected freely |
| Type | Full area |
| Size in mm | 870x380 |
| Max. rating in W | 2600 |
| Max. Booster power rating in W | 3300 |
| Max. TwinBooster power rating in W | 3650 |
| User convenience | |
| Networking with Miele@home | • |
| Con@ctivity | • |
| Pan and pan size recognition | • |
| Operation via sensor controls | SmartSelect |
| Display colour | Yellow |
| Intelligent pan recognition | • |
| Positioning aid | • |
| Stop & Go function | • |
| Wipe protection | • |
| Recall function | • |
| Minute minder | • |
| Safety switch-off | • |
| Auto heat-up | • |
| Keeping warm | • |
| Individual setting options (e.g. buzzers) | • |
| Efficiency | |
| Power rating in off mode in W | 0.5 |
| Power rating in standby mode in W | 0.8 |
| Power rating in networked standby in W | 2.0 |
| Time until automatic switch to off mode in min | 10 |
| Time until automatic switch to standby in min | 10 |
| Time until automatic switch to networked standby in min | 10 |

KM 7697 FL

Induction hob with onset controls

with a width of 936 mm and full-surface induction for maximum flexibility



EAN: 4002516148708 / Material number: 11144090 /
Old Material Number: 26769770GB

Cleaning and care

Easy to clean ceramic glass

•

Safety

Safety switch-off

•

Lock function

•

System lock

•

Integrated cooling fan

•

Overheating protection

•

Residual heat indicator

•

Technical data

Dimensions in mm (width)

936

Dimensions in mm (height)

51

Dimensions in mm (depth)

520

Casing height incl. connection box in mm

51

Cutout dimensions in mm (width) with surface-mounted installation

916 mm

Cutout dimensions in mm (depth) with surface-mounted installation

500 mm

Internal cutout dimensions in mm (width) with flush installation

916

Internal cutout dimensions in mm (depth) with flush installation

500

Weight in kg

21

External cutout dimensions in mm (width) with flush installation

940

External cutout dimensions in mm (depth) with flush installation

524

Total rated load in kW

11.00

Length of supply lead in m

1.4

Voltage in V

230

Frequency in Hz

50-60

Accessories included

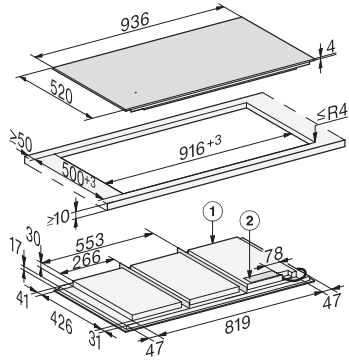
Mains cable

Yes

KM 7697 FL

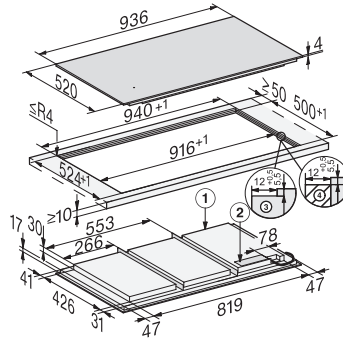
Induction hob with onset controls

with a width of 936 mm and full-surface induction for maximum flexibility



KM7697FL, KM7897FL, KM7897-1FLDiamond, KM7897-2FL Diamond (installation drawings) – onset

1) Front, 2) Mains connection box with mains connection cable, L = 1440 mm, are enclosed loosely,



KM7697FL, KM7897FL, KM7897-1FLDiamond, KM7897-2FL Diamond (installation drawings) – flush-fit

1) Front, 2) Mains connection box with mains connection cable, L = 1440 mm, are enclosed loosely, 3) Stepped cut-out natural stone worktop, 4) Wood support 12 mm (not supplied)