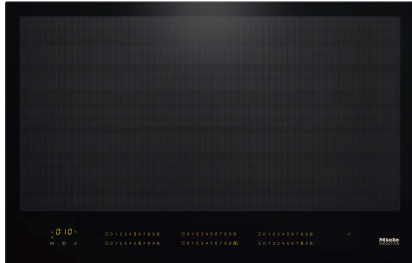


KM 7678 FL

Induction hob with onset controls

with a width of 800 mm and full-surface induction for maximum flexibility



- Intuitive quick selection via number sequences – Smart Select
- Intelligent pan recognition – for up to 6 pans
- Frameless for flush-fit or surface-mounted installation
- Broad performance spectrum – keeping warm function and TwinBooster
- Communication with the cooker hood – automatic Con@ctivity function

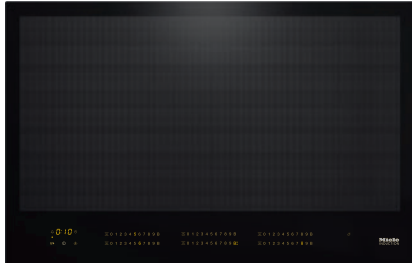
EAN: 4002516128915 / Material number: 11144100 / Old Material Number: 26767870GB

General information	
Model identifier	KM 7678 FL
Manufacturer material number	11144100
EAN number	4002516128915
Marketing class	Platinum
Heating type	
Heating type	Induction
Construction type	
Independent of cooker	•
Design	
Elegant glass ceramic surface	•
Ceramic surface colour	Black
Flush	•
Surface-mounted installation	•
Can be combined with SmartLine	•
Cooking zone details	
Number of cooking areas	1
Maximum number of pans	6
1st cooking zone/cooking area	
Position	Can be selected freely
Type	Full area
Size in mm	740x380
Max. rating in W	2600
Max. Booster power rating in W	3300
Max. TwinBooster power rating in W	3650
User convenience	
Networking with Miele@home	•
Con@ctivity	•
Pan and pan size recognition	•
Operation via sensor controls	SmartSelect
Display colour	Yellow
Intelligent pan recognition	•
Positioning aid	•
Stop & Go function	•
Wipe protection	•
Recall function	•
Minute minder	•
Safety switch-off	•
Auto heat-up	•
Keeping warm	•
Individual setting options (e.g. buzzers)	•
Efficiency	
Power rating in off mode in W	0.5
Power rating in standby mode in W	0.8
Power rating in networked standby in W	2.0
Time until automatic switch to off mode in min	10
Time until automatic switch to standby in min	10
Time until automatic switch to networked standby in min	10

KM 7678 FL

Induction hob with onset controls

with a width of 800 mm and full-surface induction for maximum flexibility



EAN: 4002516128915 / Material number: 11144100 / Old Material Number: 26767870GB

Cleaning and care

Easy to clean ceramic glass

•

Safety

Safety switch-off

•

Lock function

•

System lock

•

Integrated cooling fan

•

Overheating protection

•

Residual heat indicator

•

Technical data

Dimensions in mm (width)

800

Dimensions in mm (height)

51

Dimensions in mm (depth)

520

Casing height incl. connection box in mm

51

Cutout dimensions in mm (width) with surface-mounted installation

780 mm

Cutout dimensions in mm (depth) with surface-mounted installation

500 mm

Internal cutout dimensions in mm (width) with flush installation

780

Internal cutout dimensions in mm (depth) with flush installation

500

Weight in kg

19

External cutout dimensions in mm (width) with flush installation

804

External cutout dimensions in mm (depth) with flush installation

524

Total rated load in kW

11.00

Length of supply lead in m

1.4

Voltage in V

230

Frequency in Hz

50-60

Accessories included

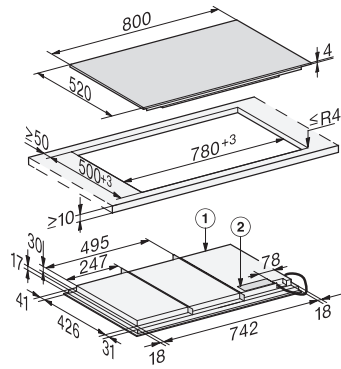
Mains cable

Yes

KM 7678 FL

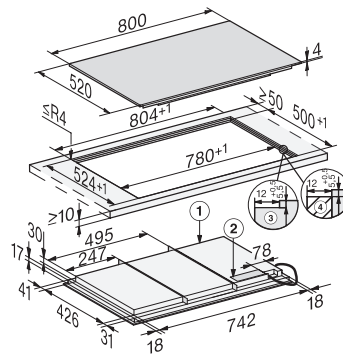
Induction hob with onset controls

with a width of 800 mm and full-surface induction for maximum flexibility



KM7678FL, KM7678-2FL, KM7878FL, KM7878-1FLDiamond, KM7878-2FLDiamond – onset installation (installation drawings)

1) Front, 2) Mains connection box with mains connection cable, L = 1440 mm, are enclosed loosely,



KM7678FL, KM7678-2FL, KM7878FL, KM7878-1FLDiamond, KM7878-2FLDiamond – flush (installation drawings)

1) Front, 2) Mains connection box with mains connection cable, L = 1440 mm, are enclosed loosely, 3) Stepped cut-out natural stone worktop, 4) Wood support 12 mm (not supplied)