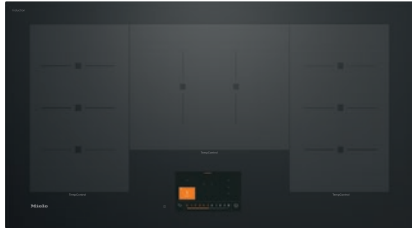


KM 7999 FL

Induction hob with onset controls
with TempControl for perfect frying results



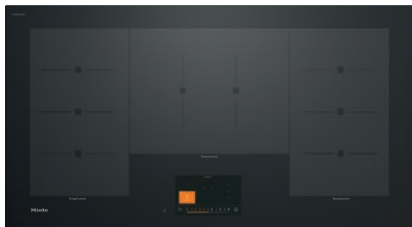
- Intelligent controls thanks to the touch display
- Flexible cooking areas for up to five pans
- With 8 TempControl sensors
- A width of 936 mm for surface-mounted or flush-fit installation
- Communication with the cooker hood – automatic Con@ctivity function

EAN: 4002516235521 / Material number: 11144120 / Old Material Number: 26799970GB

General information	
Model identifier	KM 7999 FL
Manufacturer material number	11144120
EAN number	4002516235521
Marketing class	Diamond
Heating type	
Heating type	Induction
Construction type	
Independent of cooker	•
Design	
Elegant glass ceramic surface	•
Ceramic surface colour	Graphite black
Print design	SilentMove
Flush	•
Cooking zone details	
Number of cooking areas	3
Maximum number of pans	5
1st cooking zone/cooking area	
Position	Left
Type	TempControl cooking zone
Size in mm	230x380
Max. rating in W	2800
Max. Booster power rating in W	3600
2nd cooking zone/cooking area	
Position	Centred
Type	TempControl cooking zone
Size in mm	370x290
Max. rating in W	2800
Max. Booster power rating in W	3600
3rd cooking zone/cooking area	
Position	right
Type	TempControl cooking zone
Size in mm	230x380
Max. rating in W	2800
Max. Booster power rating in W	3600
User convenience	
Networking with Miele@home	•
Con@ctivity	•
Pan and pan size recognition	•
Operation via sensor controls	Touch display
Operation via touch display	•
TempControl	•
PowerFlex Plus	•
Display colour	Multi-coloured
Permanent pan recognition	•
Stop & Go function	•
Wipe protection	•
Recall function	•

KM 7999 FL

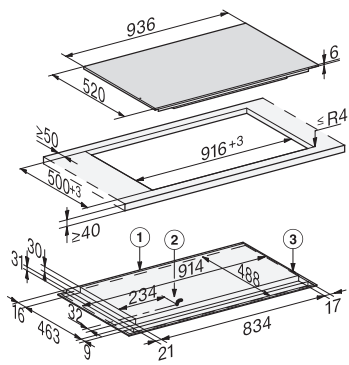
Induction hob with onset controls
with TempControl for perfect frying results



EAN: 4002516235521 / Material number: 11144120 / Old Material Number: 26799970GB

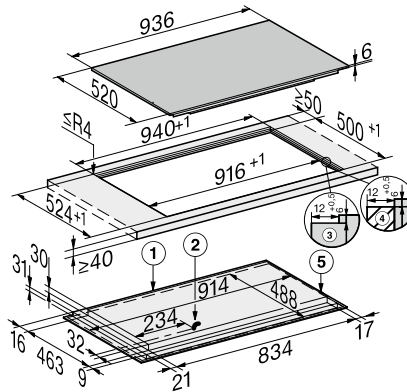
Minute minder	•
Safety switch-off	•
Individual setting options (e.g. buzzers)	•
Assistance programmes	•
Efficiency	
Power rating in off mode in W	0.5
Power rating in standby mode in W	0.8
Power rating in networked standby in W	2.0
Time until automatic switch to off mode in min	10
Time until automatic switch to standby in min	10
Time until automatic switch to networked standby in min	10
Cleaning and care	
Easy to clean ceramic glass	•
Safety	
Safety switch-off	•
Integrated cooling fan	•
Overheating protection	•
Residual heat indicator	•
Technical data	
Dimensions in mm (width)	936
Dimensions in mm (height)	67
Dimensions in mm (depth)	520
Casing height incl. connection box in mm	67
Cutout dimensions in mm (width) with surface-mounted installation	916 mm
Cutout dimensions in mm (depth) with surface-mounted installation	500 mm
Internal cutout dimensions in mm (width) with flush installation	916
Internal cutout dimensions in mm (depth) with flush installation	500
Weight in kg	22
External cutout dimensions in mm (width) with flush installation	940
External cutout dimensions in mm (depth) with flush installation	524
Total rated load in kW	10.35
Length of supply lead in m	1.3
Voltage in V	230
Frequency in Hz	50-60
Accessories included	
Mains cable	Yes
WiFi stick XKS 3170 W	•

KM 7999 FL
 Induction hob with onset controls
 with TempControl for perfect frying results



KM7999FL, KM7999-2FL (installation drawing) – onset

1) Front, 2) Mains connection box with mains connection cable, L = 1280 mm, are enclosed loosely, 3) WLAN stick connection point



KM7999FL, KM7999-2FL (installation drawing) – flush-fit

1) Front, 2) Mains connection box with mains connection cable, L = 1280 mm, are enclosed loosely, 3) Stepped cut-out natural stone worktop, 4) Wood support 12 mm (not supplied), 5) WLAN stick connection point