

## M 2224 SC

Built-in microwave oven

with sensor controls on the side for convenient operation.



- 7-segment display with sensor controls – EasySensor
- Optimum and even browning – integrated Quartz grill
- Perfect defrosting and cooking – Automatic programmes
- Food remains at serving temperature – keeping warm function
- Perfect and energy-saving lighting – LED lighting

EAN: 4002516262930 / Material number: 11390380 /  
Old Material Number: 24222420GB

<b>General information</b>	
Model identifier	M 2224 SC
Manufacturer material number	11390380
EAN number	4002516262930
Marketing class	Silver
<b>Construction type and design</b>	
Active	•
SideControl	•
<b>Construction type and design</b>	
Built-in microwave oven	•
Colour	Obsidian black
<b>Convenience features</b>	
Keeping warm	•
Quartz grill	•
<b>Operating modes</b>	
Microwave	•
Grill	•
Microwave/grill combination mode	•
Automatic programmes	•
<b>User convenience</b>	
Display	EasySensor
Time of day display	•
Minute minder	•
Programmable cooking duration	•
Quick microwave	•
Individual settings	•
<b>Efficiency</b>	
Night dimming	•
Power rating in off mode in W	0.3
Power rating in standby mode in W	0.8
Time until automatic switch to standby in min	20
<b>Cleaning and care</b>	
Stainless steel oven compartment	•
<b>Safety</b>	
Appliance cooling system and touch-cool front	•
System lock	•
Safety switch-off	•
Safety lock "Door" warning	•
<b>Technical data</b>	
Oven compartment volume in l	17
Door hinge	Left
Oven light	1 LED spot
Turntable diameter in cm	27.2
Oven interior height in cm	20.2
Plug type	CH earthed plug
Electronically controlled microwave power	•
Microwave power levels in W	
Maximum microwave power in W	800

## M 2224 SC

Built-in microwave oven

with sensor controls on the side for convenient operation.



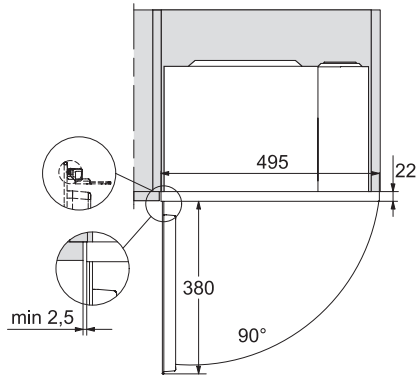
EAN: 4002516262930 / Material number: 11390380 /  
Old Material Number: 24222420GB

Grill power rating in W	800
Niche width min. in mm	462
Niche width max. in mm	468
Niche-independent venting	•
Niche height min. in mm	350
Niche height max. in mm	362
Niche depth in mm	310
Appliance dimensions (W x H x D) in mm	495 x 372 x 310
Weight in kg	14.4
Total rated load in kW	1.25
Length of supply lead in m	1.60
Voltage in V	220-240
Frequency in Hz	50
Fuse rating in A	13
Number of phases	1
Mains cable with plug	•
Replacing lamps	Service
<b>Accessories included</b>	
Grilling rack	1
Gourmet plate	1
Turntable	1

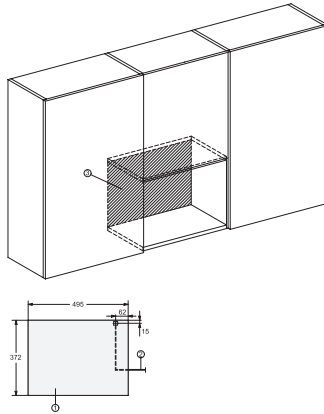
## M 2224 SC

Built-in microwave oven

with sensor controls on the side for convenient operation.

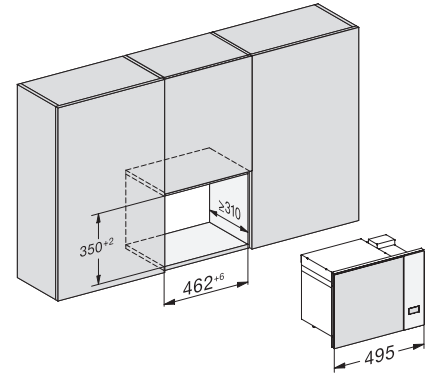


M2224SC, installation drawing



M2224SC, installation drawings

1) Front view, 2) Mains connection cable L=1,600 mm, 3)  
No connection in this area



M2224SC, installation drawings