

CSDA 7001 FL  
SmartLine element  
as downdraft extractor for extraction or recirculation operation



- Intuitive quick selection via number sequences – Smart Select
- Elegant design – for flush or raised installation
- Seamlessly integrates with any SmartLine element
- Efficient filtration- 10-ply stainless-steel grease filter
- Energy-efficient and quiet – powerful ECO motor



EAN: 4002516304906 / Material number: 11402230 /  
Old Material Number: 27700150GB

General information	
Model identifier	CSDA 7001 FL
Manufacturer material number	11402230
EAN number	4002516304906
Construction type	
Downdraft extractor	•
Operating modes	
Type of air guide	Can be retrofitted
Flat ducting components (order separately)	DFK- xxxx
Recirculation conversion kit (order separately)	DUU 1000-2
Design	
Frameless – surface-mounted	•
Flush	•
User convenience	
Operation via sensor controls	SmartSelect
Digital power level display	•
Run-on time 5 min.	•
Display colour	Yellow
Easy-to-clean canopy interior – CleanCover	•
Efficiency	
Energy efficiency class (A+++ – D)	A++
ECO motor	•
Annual energy consumption in kWh/year	25.3
Fluid dynamic efficiency class	A
Lighting efficiency class	NA
Grease filtering efficiency class	B
Cleaning and care	
Easy to clean ceramic glass	•
Filter system	
Number of dishwasher-safe stainless steel grease filters (10-ply)	1
Exhaust air	
Air throughput in Level 1 (m <sup>3</sup> /h) according to EN 61591	150
Air throughput in Level 2 (m <sup>3</sup> /h) according to EN 61591	290
Air throughput in Level 3 (m <sup>3</sup> /h) according to EN 61591	440
Sound power in Level 2 (dB(A) re 1 pW) according to EN 60704-3	58.0
Sound pressure in Level 1 (dB(A) re 20 µPa) according to EN 60704-2-13	29.0
Sound pressure in Level 2 (dB(A) re 20 µPa) according to EN 60704-2-13	43.0
Sound pressure in Level 3 (dB(A) re 20 µPa) according to EN 60704-2-13	51.0
Sound pressure in Booster level 1 (dB(A) re 20 µPa) acc. to EN 60704-2-13	55.0
Recirculation	
Air throughput in Level 1 (m <sup>3</sup> /h) according to EN 61591	100
Air throughput in Level 2 (m <sup>3</sup> /h) according to EN 61591	235
Air throughput in Level 3 (m <sup>3</sup> /h) according to EN 61591	380

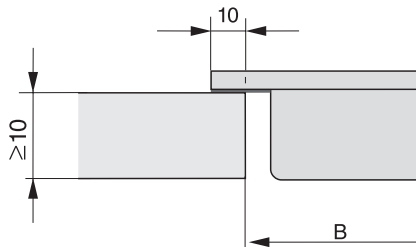
CSDA 7001 FL  
SmartLine element  
as downdraft extractor for extraction or recirculation operation



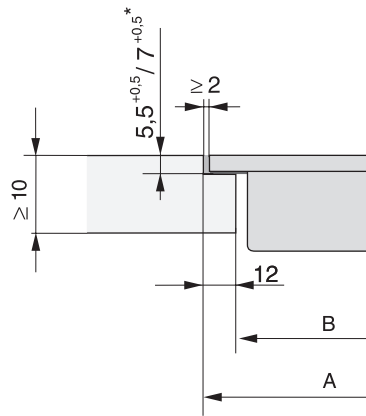
EAN: 4002516304906 / Material number: 11402230 /  
Old Material Number: 27700150GB

Air throughput in Booster level 1 (m <sup>3</sup> /h) according to EN 61591	460
Sound power in Level 1 (dB(A) re 1 pW) according to EN 60704-3	49.0
Sound power in Level 2 (dB(A) re 1 pW) according to EN 60704-3	63.0
Sound power in Level 3 (dB(A) re 1 pW) according to EN 60704-3	73.0
Sound power in Booster level 1 (dB(A) re 1 pW) acc. to EN 60704-3	78.0
Sound pressure in Level 1 (dB(A) re 20 µPa) according to EN 60704-2-13	34.0
Sound pressure in Level 2 (dB(A) re 20 µPa) according to EN 60704-2-13	49.0
Sound pressure in Level 3 (dB(A) re 20 µPa) according to EN 60704-2-13	58.0
Sound pressure in Booster level 1 (dB(A) re 20 µPa) acc. to EN 60704-2-13	63.0
<b>Safety</b>	
Safety switch-off	•
FlameGuard	•
<b>Technical data</b>	
Dimensions in mm (width)	120
Dimensions in mm (height)	168
Dimensions in mm (depth)	520
Casing height incl. connection box in mm	168
Cutout dimensions in mm (width) with surface-mounted installation	100 mm
Cutout dimensions in mm (depth) with surface-mounted installation	500 mm
Inner cut-out dimensions in mm (width) with flush installation	100
Inner cut-out dimensions in mm (depth) with flush installation	500
Weight in kg	11
Outer cut-out dimensions in mm (width) with flush installation	124
Outer cut-out dimensions in mm (depth) with flush installation	524
Total rated load in kW	0.17
Voltage in V	230
Fuse rating in A	10
Number of phases	1
Length of supply lead in m	2
<b>Installation notes</b>	
Plinth fan with vent connection	•
Extraction connection at rear and side	•
Dimensions of the exhaust ducting connector in mm	222
Dimensions of the exhaust ducting connector in mm	89
<b>Accessories included</b>	
Ducting system to the plinth fan	•

CSDA 7001 FL  
SmartLine element  
as downdraft extractor for extraction or recirculation operation

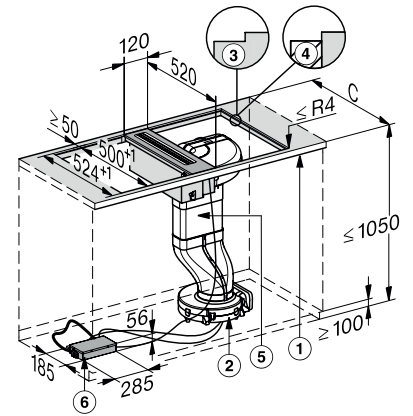


CS 7000 FL (Installation drawing)



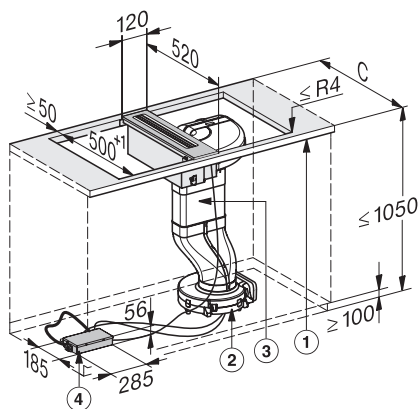
CS 7000 FL, flush (Installation drawing)

\*7+0,5 = CS7611 (Wok)



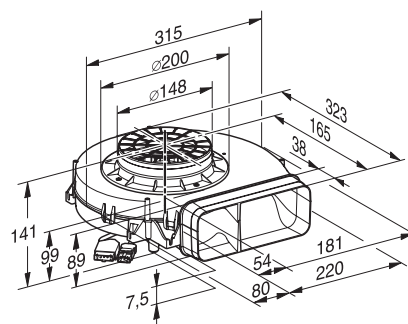
CSDA 7001 - flush (Installation drawing)

1) front, 2) Fan (in the plinth lying on the floor), 3) Stepped cut-out, 4) 12 mm wooden panel (not supplied as standard), 5) Air duct, 6) E-box



CSDA 7001 - supported installation (Skizze)

1) front, 2) Fan (in the plinth lying on the floor), 3) Air duct, 4) E-Box,



Plinth blower for CSDA 7001 (Installation drawing)