

KM 7629 FX

Induction hob with onset controls
with TempControl for perfect frying results



- Intuitive quick selection via number sequences – Smart Select
- 5 cooking zones incl. 1 PowerFlex area and 1 TempControl zone
- A width of 928 mm for flush-fit installation
- Shortest heating-up times – TwinBooster
- Communication with the cooker hood – automatic Con@ctivity function

EAN: 4002516338376 / Material number: 11515520 /
Old Material Number: 26762960GB

General information	
Model identifier	KM 7629 FX
Manufacturer material number	11515520
EAN number	4002516338376
Marketing class	Platinum
Heating type	
Heating type	Induction
Construction type	
Independent of cooker	•
Design	
Elegant glass ceramic surface	•
Ceramic surface colour	Black
Flush	•
Cooking zone details	
Number of cooking zones	5
Number of cooking areas	1
Maximum number of pans	5
PowerFlex cooking zones	
No.	2
Type	PowerFlex cooking zone
Size in mm	Ø 150 – 230
Max. rating in W	2100
Max. Booster power rating in W	3000
Max. TwinBooster power rating in W	3650
1st cooking zone/cooking area	
Position	front left
Type	Dual-circuit ring
Size in mm	Ø 100-160
Max. rating in W	1400
Max. Booster power rating in W	1700
Max. TwinBooster power rating in W	2200
2nd cooking zone/cooking area	
Position	rear left
Type	TempControl cooking zone
Size in mm	Ø 160-230
Max. rating in W	2300
Max. Booster power rating in W	3000
Max. TwinBooster power rating in W	3650
3rd cooking zone/cooking area	
Position	rear centre
Type	Dual-circuit ring
Size in mm	Ø 180-280
Max. rating in W	2600
Max. Booster power rating in W	3000
Max. TwinBooster power rating in W	3650
4th cooking zone/cooking area	
Position	right
Type	PowerFlex bridge

KM 7629 FX

Induction hob with onset controls
with TempControl for perfect frying results



EAN: 4002516338376 / Material number: 11515520 /
Old Material Number: 26762960GB

Size in mm	230x390
Max. rating in W	3400
Max. Booster power rating in W	4800
Max. TwinBooster power rating in W	7300
User convenience	
Networking with Miele@home	•
Con@ctivity	•
Pan and pan size recognition	•
Operation via sensor controls	SmartSelect
TempControl	•
Display colour	Yellow
Keeping warm plus	•
Permanent pan recognition	•
Stop & Go function	•
Wipe protection	•
Recall function	•
Minute minder	•
Safety switch-off	•
Auto heat-up	•
Keeping warm	•
Individual setting options (e.g. buzzers)	•
Efficiency	
Power rating in off mode in W	0.5
Power rating in standby mode in W	0.8
Power rating in networked standby in W	2.0
Time until automatic switch to off mode in min	10
Time until automatic switch to standby in min	10
Time until automatic switch to networked standby in min	10
Cleaning and care	
Easy to clean ceramic glass	•
Safety	
Safety switch-off	•
Lock function	•
System lock	•
Integrated cooling fan	•
Overheating protection	•
Residual heat indicator	•
Technical data	
Dimensions in mm (width)	928
Dimensions in mm (height)	51
Dimensions in mm (depth)	512
Casing height incl. connection box in mm	51
Internal cutout dimensions in mm (width) with flush installation	906
Internal cutout dimensions in mm (depth) with flush installation	490
Weight in kg	16
External cutout dimensions in mm (width) with flush installation	932

KM 7629 FX

Induction hob with onset controls
with TempControl for perfect frying results

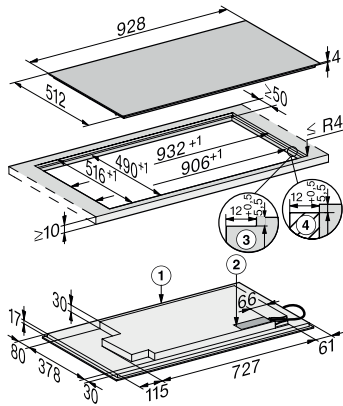


EAN: 4002516338376 / Material number: 11515520 /
Old Material Number: 26762960GB

External cutout dimensions in mm (depth) with flush installation	516
Total rated load in kW	11.00
Length of supply lead in m	1.4
Voltage in V	230
Frequency in Hz	50-60
Accessories included	
Mains cable	Yes

KM 7629 FX

Induction hob with onset controls
with TempControl for perfect frying results



KM 7629 FX, flush (Installation drawing)

1) Front, 2) Mains connection box with mains connection cable, L = 1440 mm, 3) Stepped cut-out natural stone worktop, 4) Wood support 12 mm (not supplied)