

## KM 7699 FR

Induction hob with onset controls  
with TempControl for perfect frying results



- Intuitive quick selection via number sequences – Smart Select
- 5 cooking zones incl. 1 PowerFlex area and 1 TempControl zone
- A width of 942 mm with stainless steel frame for surface installation
- Shortest heating-up times – TwinBooster
- Communication with the cooker hood – automatic Con@ctivity function

EAN: 4002516338796 / Material number: 11515550 /  
Old Material Number: 26769900GB

General information	
Model identifier	KM 7699 FR
Manufacturer material number	11515550
EAN number	4002516338796
Marketing class	Platinum
Heating type	
Heating type	Induction
Construction type	
Independent of cooker	•
Design	
Elegant glass ceramic surface	•
Ceramic surface colour	Black
Stainless-steel frame	•
Surface-mounted installation	•
Cooking zone details	
Number of cooking zones	5
Number of cooking areas	1
Maximum number of pans	5
PowerFlex cooking zones	
No.	2
Type	PowerFlex cooking zone
Size in mm	Ø 150 – 230
Max. rating in W	2100
Max. Booster power rating in W	3000
Max. TwinBooster power rating in W	3650
1st cooking zone/cooking area	
Position	front left
Type	Dual-circuit ring
Size in mm	Ø 100-160
Max. rating in W	1400
Max. Booster power rating in W	1700
Max. TwinBooster power rating in W	2200
2nd cooking zone/cooking area	
Position	rear left
Type	TempControl cooking zone
Size in mm	Ø 160-230
Max. rating in W	2300
Max. Booster power rating in W	3000
Max. TwinBooster power rating in W	3650
3rd cooking zone/cooking area	
Position	rear centre
Type	Dual-circuit ring
Size in mm	Ø 180-280
Max. rating in W	2600
Max. Booster power rating in W	3000
Max. TwinBooster power rating in W	3650
4th cooking zone/cooking area	
Position	right

KM 7699 FR

Induction hob with onset controls  
with TempControl for perfect frying results



EAN: 4002516338796 / Material number: 11515550 /  
Old Material Number: 26769900GB

Type	PowerFlex bridge
Size in mm	230x390
Max. rating in W	3400
Max. Booster power rating in W	4800
Max. TwinBooster power rating in W	7300
<b>User convenience</b>	
Networking with Miele@home	•
Con@ctivity	•
Pan and pan size recognition	•
Operation via sensor controls	SmartSelect
TempControl	•
Display colour	Yellow
Keeping warm plus	•
Permanent pan recognition	•
Stop & Go function	•
Wipe protection	•
Recall function	•
Minute minder	•
Safety switch-off	•
Auto heat-up	•
Keeping warm	•
Individual setting options (e.g. buzzers)	•
<b>Efficiency</b>	
Power rating in off mode in W	0.5
Power rating in standby mode in W	0.8
Power rating in networked standby in W	2.0
Time until automatic switch to off mode in min	10
Time until automatic switch to standby in min	10
Time until automatic switch to networked standby in min	10
<b>Cleaning and care</b>	
Easy to clean ceramic glass	•
<b>Safety</b>	
Safety switch-off	•
Lock function	•
System lock	•
Integrated cooling fan	•
Overheating protection	•
Residual heat indicator	•
<b>Technical data</b>	
Dimensions in mm (width)	942
Dimensions in mm (height)	52
Dimensions in mm (depth)	526
Casing height incl. connection box in mm	45
Cutout dimensions in mm (width) with surface-mounted installation	916 mm
Cutout dimensions in mm (depth) with surface-mounted installation	500 mm
Weight in kg	16
Total rated load in kW	11.00

KM 7699 FR

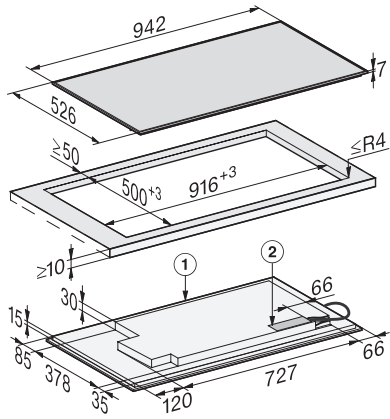
Induction hob with onset controls  
with TempControl for perfect frying results



EAN: 4002516338796 / Material number: 11515550 /  
Old Material Number: 26769900GB

Length of supply lead in m	1.4
Voltage in V	230
Frequency in Hz	50-60
<b>Accessories included</b>	
Mains cable	Yes

KM 7699 FR  
Induction hob with onset controls  
with TempControl for perfect frying results



KM 7699 FR (installtion drawing)

1) Front , 2) Mains connection box with mains connection cable, L = 1440 mm, are enclosed loosely