

H 7262 BP CulinArt

Oven

with clear text display, food probe and pyrolytic cleaning



- Clear text display with sensor controls – DirectSensor S
- Minimal cleaning effort – Pyrolytic cleaning
- Achieve perfect results with ease – automatic programmes
- Lots of room and flexibility – 76 l oven capacity on 5 levels
- Easy to use on all levels – FlexiClip runners



EAN: 4002516375876 / Material number: 11612940 /
Old Material Number: 22726245GB

General information	
Model identifier	H 7262 BP CulinArt
Manufacturer material number	11612940
EAN number	4002516375876
Marketing class	Gold
Construction type and design	
Colour	Stainless steel/Clean Steel
PureLine	•
Construction type and design	
Built-in oven	•
Convenience features	
Rapid heat-up	•
Food probe	With cable
Operating modes	
Defrosting	•
Auto roast	•
Fan plus	•
Intensive bake	•
Conventional heat	•
Bottom heat	•
Fan grill	•
Grill	•
Eco fan heat	•
Automatic programmes	•
User convenience	
Display	DirectSensor S
SoftOpen	•
SoftClose	•
MultiLingua	•
Time of day display	•
Minute minder	•
Programmable start of cooking duration	•
Programmable end of cooking duration	•
Programmable cooking duration	•
Actual temperature display	•
Target temperature display	•
Buzzer when desired temperature is reached	•
Recommended temperature	•
Individual settings	•
Efficiency and sustainability	
Energy efficiency class (A+++ – D)	A+
Cleaning and care	
Stainless steel/CleanSteel finish	•
Pyrolytic self-cleaning	•
Hinged grill element	•
CleanGlass door	•
Safety	
Appliance cooling system and touch-cool front	•

H 7262 BP CulinArt

Oven

with clear text display, food probe and pyrolytic cleaning



EAN: 4002516375876 / Material number: 11612940 /

Old Material Number: 22726245GB

Safety switch-off	•
System lock	•
Door lock during pyrolytic cleaning	•

Technical data

Oven compartment volume in l	76
No. of shelf levels	5
Number of shelf levels oven compartment 1	5
Number of shelf levels oven compartment 2	5
Numbered shelf levels	•
Oven light	1 halogen spot
Temperatures in °C	30–300
Electronic temperature regulation min. in °C	30
Electronic temperature regulation max. in °C	300
Niche width min. in mm	560
Niche width max. in mm	568
Niche height min. in mm	590
Niche height max. in mm	595
Niche depth in mm	550
Appliance width in mm	595
Appliance height in mm	596
Appliance depth in mm	569
Weight in kg	47,0
Total rated load in kW	3.60
Length of supply lead in m	1.50
Voltage in V	220-240
Frequency in Hz	50
Fuse rating in A	16
Number of phases	1
Neutral conductor	Yes
Replacing lamps	Customer

Accessories included

Baking tray with PerfectClean HBB 71	1
Universal tray with PerfectClean HUBB 71	1
Baking and roasting rack with PerfectClean	1
FlexiClip runners HFC 70-C (pair)	1
Wired food probe	1
Removable PerfectClean side runners (pair)	1
Grilling and roasting insert with PerfectClean	1
Voucher for an induction compatible HUB 5001-M Gourmet oven dish	1

H 7262 BP CulinArt

Oven

with clear text display, food probe and pyrolytic cleaning



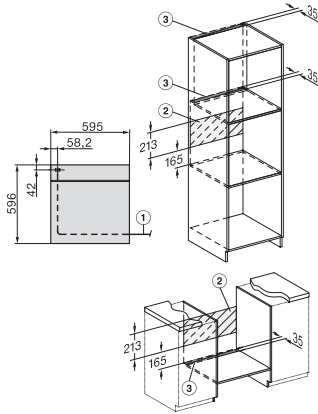
EAN: 4002516375876 / Material number: 11612940 /
Old Material Number: 22726245GB

Available display languages

Available display languages via MultiLingua

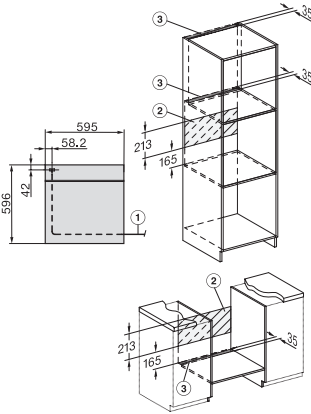
English, Deutsch, Dansk,
Français, Suomi, Italiano,
Nederlands, Norsk,
Polski, Português, Română,
Slovenščina, Slovenčina,
Español, Čeština, Türkçe,
Українська, Magyar

H 7262 BP CulinArt
Oven
with clear text display, food probe and pyrolytic cleaning



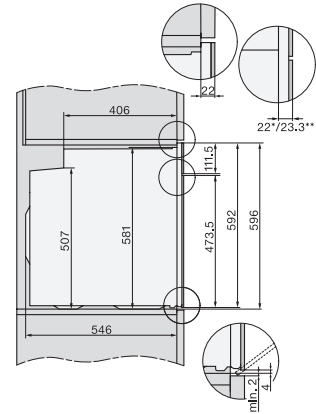
installation H7000 XL, installation drawing

1) Netzanschlussleitung, L=1500 mm, 2) In diesem Bereich kein Anschluss, 3) Lüftungsausschnitt min. 150 cm²



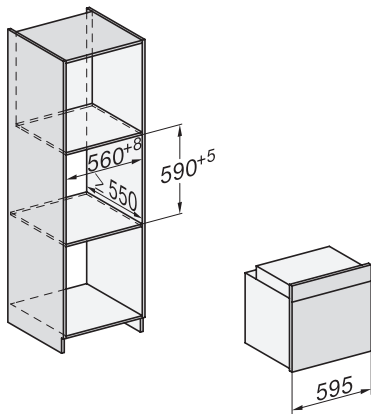
installation H7000 XL, installation drawing, GB, AU

1) Netzanschlussleitung, L=1500 mm, 2) In diesem Bereich kein Anschluss, 3) Lüftungsausschnitt min. 150 cm²

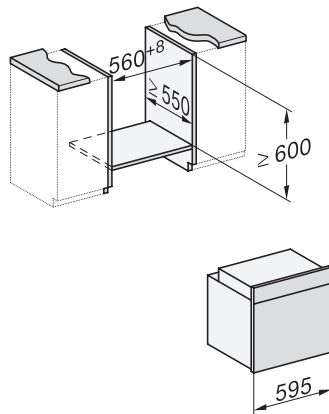


side view H7000 XL, installation drawings, GB, AU

22 mm – glass, 23.3 mm – metal

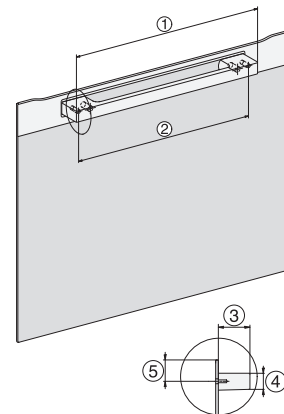


built-in H7000 XL, installation drawing



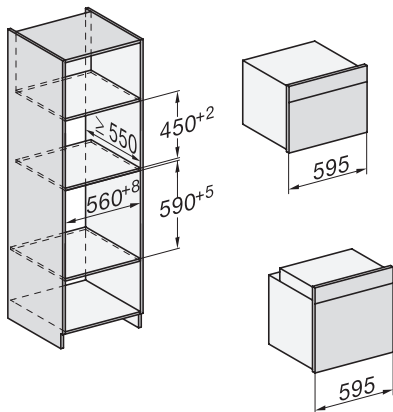
Installation H7000 XL underframe, installation drawings

If the oven is to be installed under a hob, follow the instructions for installing the hob and the height of the hob.

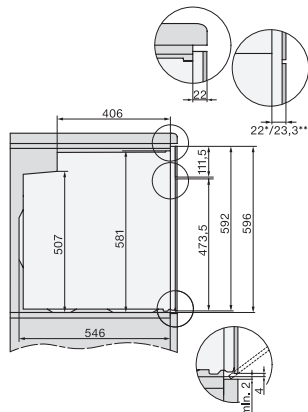


H7000 handle, installation drawing

1) 400 mm, 2) 360 mm, 3) 47 mm, 4) 24 mm, 5) 32.5 mm

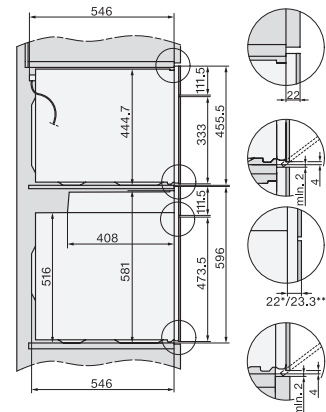


Installation H7000 BM XL, installation drawings



side view H7000 XL build-under, installation drawing

22 mm – glass, 23.3 mm – metal



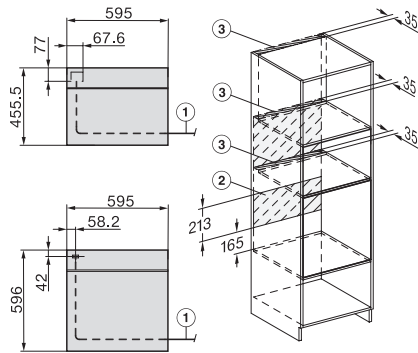
Side view Kombi BM XL, installation drawings

22 mm – glass, 23.3 mm – metal

H 7262 BP CulinArt

Oven

with clear text display, food probe and pyrolytic cleaning



Installation Kombi BM XL, installation drawings

22 mm – glass, 23,3 mm – metal