

DGC 7450

Combination steam oven

for steam cooking, baking roasting with networking, TasteControl, LED lighting.



- Large clear text display with sensor controls – DirectSensor
- Excellent results – MonoSteam technology
- Especially light dough and nicely browned crusts – Moisture plus
- Ensures your food won't overcook – TasteControl
- Easy to clean – PerfectClean finish



EAN: 4002516588610 / Material number: 11825500 /
Old Material Number: 22745042GB

General information	
Model identifier	DGC 7450
Manufacturer material number	11825500
EAN number	4002516588610
Marketing class	Gold
Construction type and design	
PureLine	•
Construction type and design	
Steam combination oven	•
Colour	Stainless steel/Clean Steel
Convenience features	
TasteControl	•
Rapid heat-up	•
Pre-heating	•
External steam generation	•
Crisp function	•
Operating modes	
Fan plus	•
Conventional heat	•
Steam cooking	•
Moisture plus	•
Moisture plus with Conventional heat	•
Moisture plus with Fan plus	•
Moisture plus with Intensive bake	•
Moisture plus with Conventional heat	•
Intensive bake	•
Auto roast	•
Fan grill	•
Grill	•
Grill operating modes	•
Bottom heat	•
Eco fan heat	•
Defrost	•
Automatic programmes	•
Country-specific automatic programmes	•
Special applications	•
User convenience	
Networking with Miele@home	•
Display	DirectSensor
SoftOpen	•
SoftClose	•
MultiLingua	•
Programmable timed steam injection	•
Quantity-independent cooking	•
Timer functions	•
Time of day display	•
Date display	•
Minute minder	•

DGC 7450

Combination steam oven

for steam cooking, baking roasting with networking, TasteControl, LED lighting.



EAN: 4002516588610 / Material number: 11825500 /

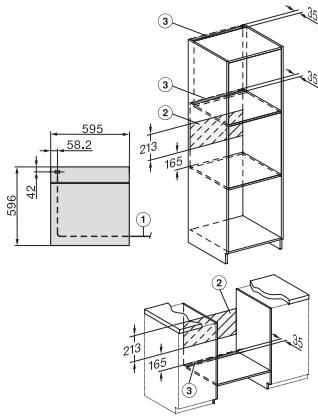
Old Material Number: 22745042GB

Programmable start of cooking duration	•
Programmable end of cooking duration	•
Programmable cooking duration	•
Actual temperature display	•
Target temperature display	•
Buzzer when desired temperature is reached	•
Recommended temperature	•
User programmes	•
Individual settings	•
Efficiency and sustainability	
Energy efficiency class (A+++ – D)	A+
Automatic residual heat utilisation	•
Power rating in off mode in W	0.3
Power rating in standby mode in W	0.8
Power rating in networked standby in W	2.0
Time until automatic switch to off mode in min	20
Time until automatic switch to standby in min	20
Time until automatic switch to networked standby in min	20
Cleaning and care	
Stainless steel/CleanSteel finish	•
Enamelled oven compartment with PerfectClean finish and catalytic rear liner	•
Hinged grill element	•
External steam generator	•
Floor heater for condensate reduction	•
Maintenance programmes	•
Soak programme	•
Oven compartment drying programme	•
Removable stainless-steel side racks	•
Automatic descaling	•
CleanGlass door	•
Steam techn./water supply	
MonoSteam	•
Steam generator power in kW	2.20
Fresh water container volume in l	1.0
Suction tube for drawing in water	•
Safety	
Appliance cooling system and touch-cool front	•
Safety switch-off	•
System lock	•
Sensor lock	•
Technical data	
Oven compartment volume in l	76
No. of shelf levels	5
Numbered shelf levels	•
Door hinge	Bottom
Oven light	1 LED spot
Oven temperature regulation min. in °C	30
Oven temperature regulation max. in °C	250

DGC 7450

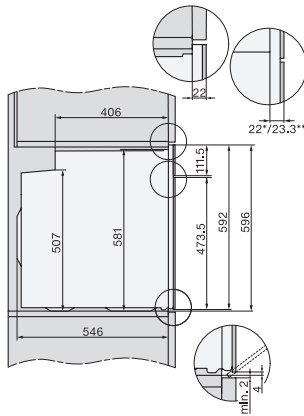
Combination steam oven

for steam cooking, baking roasting with networking, TasteControl, LED lighting.



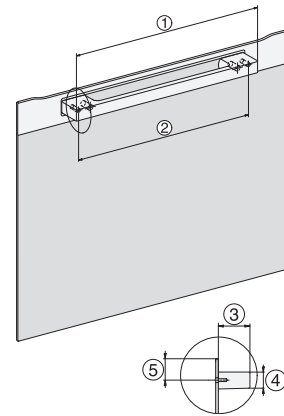
installation H7000 XL, installation drawing, GB, AU

1) Netzanschlussleitung, L=1500 mm, 2) In diesem Bereich kein Anschluss, 3) Lüftungsausschnitt min. 150 cm²



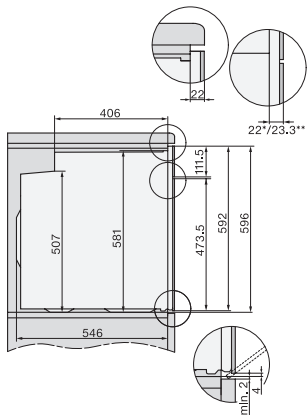
side view H7000 XL, installation drawings, GB, AU

22 mm – glass, 23.3 mm – metal



H7000 handle, installation drawing

1) 400 mm, 2) 360 mm, 3) 47 mm, 4) 24 mm, 5) 32.5 mm



side view H7000 XL build-under, installation drawing, GB, AU

22 mm – glass, 23.3 mm – metal