

TWH780WP EcoSpeed&9kg

T1 heat-pump dryer:

9 kg | DirectSensor | SilenceDrum | DryCare 40 | HygieneDry



- Tested for 20 years of perfect laundry care*
- Heat pump technology – low consumption, gentle drying
- The SilenceDrum** reduces noise for much quieter drying
- Save time sorting your laundry; DryCare 40 is perfect for a 40 °C wash***
- HygieneDry removes up to 99.99 % of bacteria* and 99.9 % of viruses****

* During the development phase of the W1 / W2 washing machine series, Miele tested models and core components in 5000 wash loads (= 5 wash loads per week for 50 weeks per year) in various programmes. More: miele.com/20years

** Patent EP 4 163 433

*** Not suitable for woollens or silks.

**** Tested for Bacillus subtilis and Saccharomyces cerevisiae bacteria in the HygieneDry drying level with half load. A description of the relevant methodology can be found at the following link: <https://www.miele.de/testkriterien-trockner>

EAN: 4002516476221 / Material number: 11871880 /
Old Material Number: 12WH7802GB

| | |
|--|----------------------------------|
| General information | |
| Model identifier | TWH780WP EcoSpeed&9kg |
| Manufacturer material number | 11871880 |
| EAN number | 4002516476221 |
| Marketing class | Platinum |
| Construction type | |
| Suitable for stacking | • |
| Door hinging | left, Reversible |
| Side-by-side | • |
| Slot-in | • |
| Model | |
| Product brand | T1 White Edition |
| Heat pump dryer | • |
| Design | |
| Appliance colour | Lotus white |
| Control panel colour | Lotus white |
| Door design | Obsidian black with chrome ring |
| Rotary selector colour | Lotus White / Chrome ring |
| Control panel version | 5° inclined |
| Control type | Rotary control |
| Display | DirectSensor white, 7 segment |
| Drying results | |
| PerfectDry precision drying | • |
| FragranceDos ² fragrance system | • |
| Intelligent drum reversal | • |
| HygieneDry | • |
| Gentle laundry care | |
| SilenceDrum | • |
| Load in kg | 9 |
| User convenience | |
| Networking with Miele@home | • |
| Wash2Dry | • |
| Delay start up to 24 hours | • |
| Time left display | • |
| Programme sequence indicator | No |
| Drum lighting | LED |
| Acoustics package for the lowest sound emissions | • |
| Condensate container | • |
| Integrated condensed water drainage | • |
| AddLoad | • |
| Efficiency | |
| Energy efficiency class (A+++ – D) | A+++ |
| Annual energy consumption in kWh | 185 |
| Duration in minutes in the standard programme | 184 |
| Noise in the Cottons programme with full load in db(A) re 1 pW | 64 |

TWH780WP EcoSpeed&9kg

T1 heat-pump dryer:

9 kg | DirectSensor | SilenceDrum | DryCare 40 | HygieneDry



EAN: 4002516476221 / Material number: 11871880 /

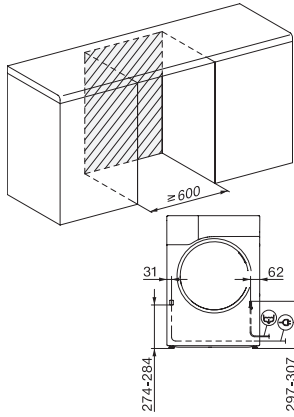
Old Material Number: 12WH7802GB

| | |
|---|-----------------|
| Condensation efficiency class | A |
| EcoDry technology | • |
| Maintenance-free heat exchanger | • |
| ProfiEco motor | • |
| EcoSpeed | • |
| Drying programmes | |
| Cottons (coloureds) | • |
| Cottons arrow | • |
| Minimum iron | • |
| Delicates | • |
| Shirts | • |
| Woollens handcare | • |
| Express | • |
| Proofing | • |
| Bed linen | • |
| Warm air/DryFresh | • |
| Drying extras | |
| Anti-crease | • |
| Buzzer | • |
| DryCare 40 | • |
| Quality | |
| Soft ribs | • |
| Safety | |
| PIN-Code | • |
| Empty out container indicator | • |
| Clean filter indication | • |
| Optical interface | • |
| Technical data | |
| Dimensions (H x W x D) in mm | 850 x 596 x 643 |
| Dimensions in mm (width) | 596 |
| Dimensions in mm (height) | 850 |
| Dimensions in mm (depth) | 643 |
| Weight in kg | 55 |
| Voltage in V | 220-240 |
| Fuse rating in A | 13 |
| Frequency in Hz | 50 |
| Total rated load in kW | 1.10 |
| Length of supply lead in m | 2.0 |
| Hermetically sealed | • |
| Type of coolant | R290 |
| Refrigerant quantity in kg | 0.14 |
| Refrigerant global warming potential in CO ₂ e | 3 |
| Appliance global warming potential in CO ₂ e | 0.42 |
| Replacing lamps | Service |
| Accessories included | |
| Fragrance flacon | • |
| Voucher for a second fragrance flacon | • |

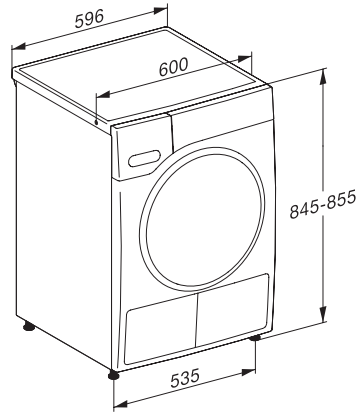
TWH780WP EcoSpeed&9kg

T1 heat-pump dryer:

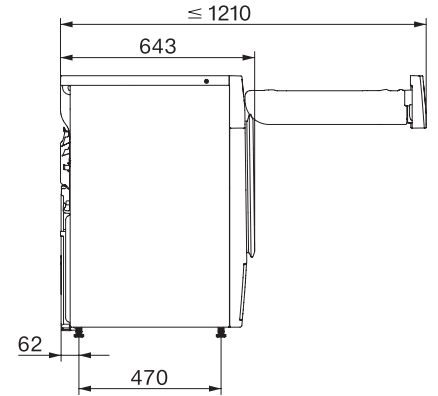
9 kg | DirectSensor | SilenceDrum | DryCare 40 | HygieneDry



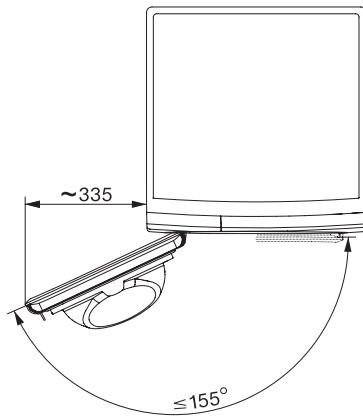
T1 installation drawing, facia 5 degree, measures in mm



T1 drawing, facia 5 degree, measures in mm



T1 drawing, facia 5 degree, with porthole, measures in mm



T1 drawing, facia 5 degree, measures in mm