

## F 2413 Vi MasterCool freezer

For high-end design and technology on a large scale.



- Push2open for convenient door-opening assistance
- Light floods the interior thanks to LED elements – BrilliantLight
- Fresh ice cubes from the IceMaker with mains water connection
- Convenient control thanks to colour touch display MasterSensor



EAN: 4002516550723 / Material number: 12021710 / Old Material Number: 37241301GB

| General information                  |                |
|--------------------------------------|----------------|
| Model identifier                     | F 2413 Vi      |
| Manufacturer material number         | 12021710       |
| EAN number                           | 4002516550723  |
| Marketing class                      | Diamond        |
| Appliance category                   |                |
| Freezer                              | •              |
| Construction type                    |                |
| Built-in appliance                   | •              |
| Integrated appliance                 | •              |
| Door hinge                           | Left           |
| Convertible door hinging             | •              |
| Side-by-side enabled                 | •              |
| Design                               |                |
| Lighting                             | BrilliantLight |
| User convenience                     |                |
| Networking with Miele@home           | •              |
| Operating concept                    | MasterSensor   |
| Sabbath mode                         | •              |
| NoFrost                              | •              |
| SoftClose                            | •              |
| IceMaker with mains water connection | •              |
| Push2open                            | •              |
| FullAccess                           | •              |
| EasyClean                            | •              |
| MaxLoad hinge                        | •              |
| Control system                       |                |
| SuperFreeze                          | •              |
| No. of temperature zones             | 1              |
| Freezer/Freezer section              |                |
| No. of shelves/surfaces              | 2              |
| Number of freezer baskets            | 2              |
| Door baskets – small                 | 1              |
| Door baskets – large                 | 3              |
| Efficiency and sustainability        |                |
| Energy efficiency class (A–G)        | E              |
| Annual energy consumption in kWh     | 246.00         |
| Energy consumption in 24 h in kWh    | 0.60           |
| Safety                               |                |
| Lock function                        | •              |
| Acoustic door alarm                  | •              |
| Acoustic temperature alarm           | •              |
| Optical door alarm                   | •              |
| Optical temperature alarm            | •              |
| Technical data                       |                |
| Niche width in mm min.               | 457            |
| Niche width in mm max.               | 460            |
| Niche height in mm min.              | 2134           |

F 2413 Vi  
MasterCool freezer  
For high-end design and technology on a large scale.



EAN: 4002516550723 / Material number: 12021710 / Old Material Number: 37241301GB

|  |            |
|--|------------|
| Niche height in mm max.                      | 2164       |
| Niche depth in mm                            | 629        |
| Appliance width in mm                        | 451        |
| Appliance height in mm                       | 2125       |
| Appliance depth in mm                        | 545        |
| Weight in kg                                 | 122.2      |
| Door hinge technology                        | Fixed door |
| Max. door front weight – refrigerator, in kg | 59         |
| Climate range                                | SN-T       |
| 4* freezer compartment in l                  | 240        |
| Total usable capacity in l                   | 268        |
| Storage time in case of fault in h           | 10         |
| Freezer capacity in kg/24 h                  | 16.00      |
| Acoustic airborne noise emission class (A–D) | D          |
| Sound emissions in dB(A) re 1 pW             | 42         |
| Current consumption (mA)                     | 3000       |
| Voltage in V                                 | 220-240    |
| Fuse rating in A                             | 10         |
| Number of phases                             | 1          |
| Frequency in Hz                              | 50-60      |
| Length of supply lead in m                   | 3.0        |

#### Accessories included

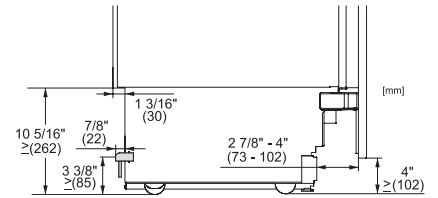
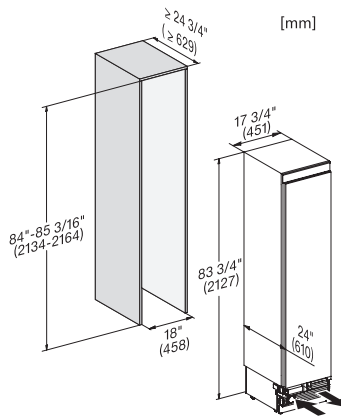
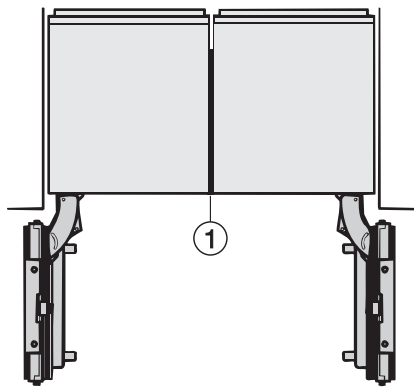
Water filter Nein

#### Available display languages

Available display languages via MultiLingua

,        deutsch,  
 dansk, english, english  
 (AU), english (CA), english  
 (GB), english (US), eesti,  
 suomi, français, français  
 (CA), français (FR),  
 ελληνικά, italiano,    
,     hrvatski,  
 latviesu, lietuviu, bahasa  
 malaysia, nederlands, norsk,  
 polski, portugês, română,  
 русский, svenska, srpski,  
 slovenčina, slovenščina,  
 español, čeština, türkçe,  
 українська, magyar

F 2413 Vi  
MasterCool freezer  
For high-end design and technology on a large scale.

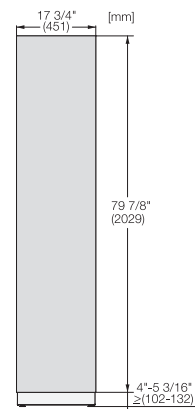
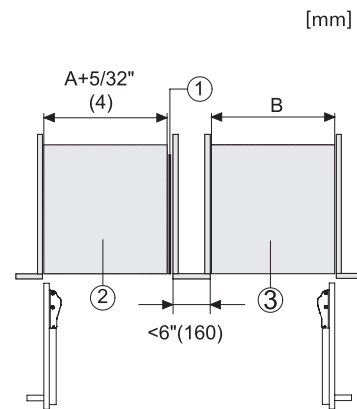
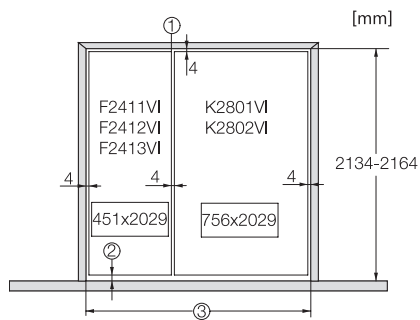


Side-by-side, MasterCool, without partition wall, with heating mat (Sketch) (with footnote)

F2413Vi, F2412Vi, F2411Vi, MasterCool, inner space, installation drawings

Sideview, MasterCool, Sketch

1) Heating mat KSK 2001 (EU, AUS, CN) or KSK 2002 (US, CA, MX, BR)



Example for dimensioning Side-by-side-Combination MasterCool (Sketch) (\*footnote) (only for EUROPE)

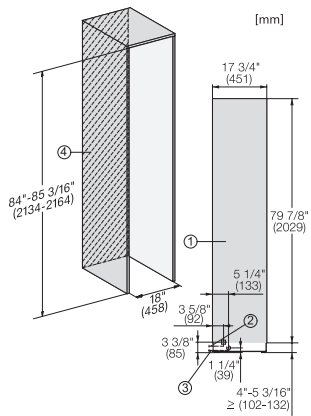
Side-by-Side, MasterCool, footnote, installation drawings

KFP1805ed/cs, KFP1804ed/cs, Front panel, Front dimensions, MasterCool, installation drawings

\*Niche height, 1 = Side-by-side fitting kit including pre-installed side wall heating KSK 200x, 2 = Furniture plinth height 102 - 132 mm (the appliance feet can be adjusted up to 30 mm high), 3 = Total appliance niche width 1220 mm (458 mm + 762 mm)

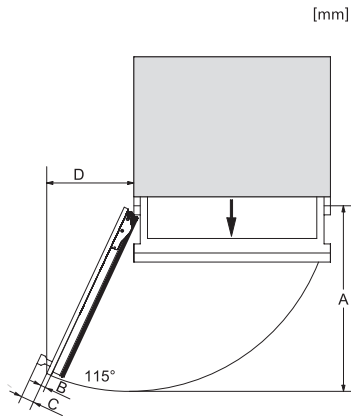
1. KSK 2001/2002, 2. Device A, 3. Device B, A = niche device A, B = niche device B

F 2413 Vi  
MasterCool freezer  
For high-end design and technology on a large scale.



F2413Vi, F2471Vi, F2471SF, F2461Vi, F2411Vi, F2411SF, installation, MasterCool, installation drawings

1. View from the front, 2. Mains Connection cable, L = 3000 mm (118 inch), 3. Water inlet position, L = 2000 mm (not for KON USA), 4. No water/ELT connections permitted in this area



Opening angle 90°/115°, right side stop, MasterCool (Sketch) with footnote

A) Appliance door, F 2411 Vi: 525 mm (20 2/3 inch), F 2412 Vi, F 2412 SF, F 2413Vi, F 2472 Vi, F 2472 SF: 525 mm (20 2/3 inch), F 2671 Vi: 677 mm (26 2/3 inch), F 2672 Vi, F 2672 SF: 677 mm (26 2/3 inch), F 2812 SF, F 2812 Vi, F 2813 Vi: 829 mm (32 2/3 inch), F 2912 Vi, F 2912 SF: 982 mm (38 2/3 inch), B) Furniture front (max. 38 mm) (1 1/2 inch), C) Door handle, D) Distance from the door to the wall (without furniture front and door handle): F 2411 Vi: 237 mm (9 1/3 inch), F 2412 Vi, F 2412 SF, F 2472 Vi, F 2472 SF: 237 mm (9 1/3 inch), F 2672 Vi, F 2672 SF: 296 mm (11 2/3 inch), F 2811 Vi: 363 mm (14 1/3 inch), F 2812 SF, F 2812 Vi: 363 mm (14 1/3 inch), F 2912 Vi, F 2912 SF: 428 mm (16 7/8 inch), E) ONLY valid for SF versions: A + 25 mm (1 inch)