

KDN 7724 E Active

Built-in fridge-freezer, 178 cm niche height
with DailyFresh ExtraCool, convenient LED lighting and NoFrost.



- 2 drawers, one with adjustable humidity – DailyFresh ExtraCool
- Optimum and maintenance-free LED lighting in compartment
- No icing up of food and no need to defrost thanks to NoFrost
- Cool food down quickly thanks to SuperCool



EAN: 4002516566892 / Material number: 12050370 /
Old Material Number: 38772450GB

General information	
Model identifier	KDN 7724 E Active
Manufacturer material number	12050370
EAN number	4002516566892
Marketing class	Silver
Appliance category	
Fridge-freezer	•
Construction type	
Built-in appliance	•
Integrated appliance	•
Door hinge	right
Convertible door hinging	•
User convenience	
Fridge zone lighting	LED
Freshness system	DailyFresh
Party mode	•
NoFrost	•
VarioRoom	•
Ice/Water dispenser with mains water connection	No
Control system	
Operating concept	EasyControl
Fridge compartment can be switched off	No
SuperCool	•
SuperFreeze	•
No. of temperature zones	2
Fridge/Fridge section	
No. of shelves	4
Chrome-plated metal bottle rack	•
No. of crisper drawers	2
Number of inner door racks for tinned food	2
Door rack for bottles	1
Door shelves	3
Freezer/Freezer section	
Number of freezer drawers	3
Efficiency and sustainability	
Energy efficiency class (A–G)	E
Annual energy consumption in kWh	233.97
Energy consumption in 24 h in kWh	0.64
Safety	
Acoustic door alarm	•
Optical door alarm	•
Technical data	
Niche width in mm min.	560
Niche width in mm max.	568
Niche height in mm min.	1772
Niche height in mm max.	1780
Niche depth in mm	550
Appliance width in mm	541

KDN 7724 E Active

Built-in fridge-freezer, 178 cm niche height
with DailyFresh ExtraCool, convenient LED lighting and NoFrost.

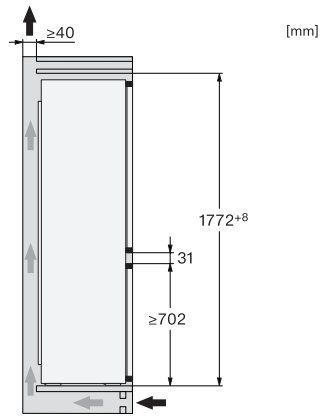


EAN: 4002516566892 / Material number: 12050370 /
Old Material Number: 38772450GB

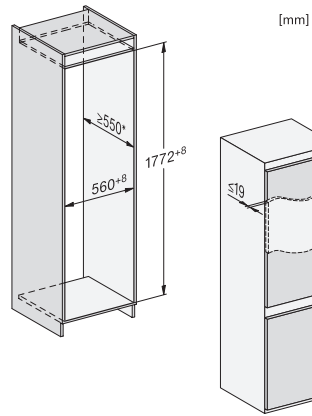
Appliance height in mm	1772
Appliance depth in mm	548
Weight in kg	54.8
Door hinge technology	Fixed door
Max. door front weight – refrigerator, in kg	15
Max. door front weight – freezer, in kg	15
Climate range	SN-ST
Refrigerator compartment in l	184
4* freezer compartment in l	76
Total usable capacity in l	260
Storage time in case of fault in h	9
Freezer capacity in kg/24 h	4.00
Acoustic airborne noise emission class (A–D)	B
Sound emissions in dB(A) re 1 pW	35
Current consumption (mA)	1000
Voltage in V	220-240
Fuse rating in A	10
Number of phases	1
Frequency in Hz	50
Length of supply lead in m	2.3
Accessories included	
Egg tray	•
Water filter	Nein
Ice cube tray	•

KDN 7724 E Active

Built-in fridge-freezer, 178 cm niche height with DailyFresh ExtraCool, convenient LED lighting and NoFrost.

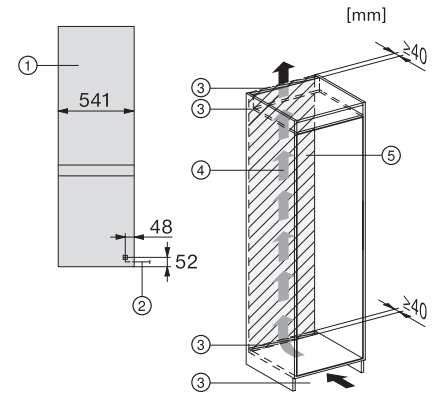


KFN7714F, KFNS7716FC, KD7714E, KD7724E, KDN7714E, KDN7724E Active, side view



KFN7714F, KFNS7716FC, KD7714E, KD7724E, KDN7714E, KDN7724E Active, built-in

*The declared energy consumption was calculated in a 560 mm deep niche. The appliance is fully functional in a 550 mm niche but the energy consumption will be slightly higher.



KD7713E, KD7714E, KD7724E, KDN7713E, KDN7714E, KDN7724E Active, installation

1. View from the front, 2. Mains connection cable, L = 2300 mm, 3. Ventilation cut-out min. 200 cm², 4. Ventilation, 5. No connections permitted in this area