

DGC 7860 HC Pro

Combination steam oven

for steam cooking, baking, roasting with wireless food probe + HydroClean.



- Large touch display with proximity sensor – M Touch + MotionReact
- Perfect results – DualSteam technology
- Crispy outside, succulent inside – combination cooking
- Miele@home – network-enabled WiFi appliance + Mix & Match
- Easy cleaning – HydroClean and stainless steel oven compartment



EAN: 4002516626282 / Material number: 12101680 /
Old Material Number: 23786049GB

| General information | |
|--|-----------------------------|
| Model identifier | DGC 7860 HC Pro |
| Manufacturer material number | 12101680 |
| EAN number | 4002516626282 |
| Marketing class | Diamond |
| Construction type and design | |
| PureLine | • |
| Construction type and design | |
| Steam combination oven | • |
| Colour | Stainless steel/Clean Steel |
| Convenience features | |
| Rapid heat-up | • |
| Pre-heating | • |
| External steam generation | • |
| Oxygen sensor | • |
| Individual humidity settings in combination cooking | • |
| Menu cooking without transfer of taste | • |
| Prepare plated meals with "Mix & Match" | • |
| Food probe | Without cable |
| Automatic programmes with ability to make individual adjustments | • |
| Keeping warm | • |
| Crisp function | • |
| Operating modes | |
| Fan plus | • |
| Conventional heat | • |
| Steam cooking | • |
| Combination cooking | • |
| Combination cooking with Fan plus | • |
| Combination cooking with Conventional heat | • |
| Combination cooking with grill | • |
| Sous-vide | • |
| Intensive bake | • |
| Fan grill | • |
| Grill | • |
| Economy grill | • |
| Grill operating modes | • |
| Top heat | • |
| Bottom heat | • |
| Cake plus | • |
| Eco fan heat | • |
| Eco steam cooking | • |
| Defrost | • |
| Roast with moisture | • |
| Reheat | • |
| Plate warming | • |
| Automatic programmes | • |
| Country-specific automatic programmes | • |

DGC 7860 HC Pro

Combination steam oven

for steam cooking, baking, roasting with wireless food probe + HydroClean.



EAN: 4002516626282 / Material number: 12101680 /

Old Material Number: 23786049GB

| | |
|---|---------|
| Special applications | • |
| User convenience | |
| Networking with Miele@home | • |
| Display | M Touch |
| MotionReact proximity sensor | • |
| SoftOpen | • |
| SoftClose | • |
| MultiLingua | • |
| MyMiele | • |
| Help function | • |
| Motorised lift-up control panel with SoftClose | • |
| Quantity-independent cooking | • |
| Steam cooking on up to 4 levels at the same time | • |
| Automatic menu cooking | • |
| Steam reduction before end of programme | • |
| Polyphonic buzzers | • |
| Timer functions | • |
| Time of day display | • |
| Date display | • |
| Minute minder | • |
| Programmable start of cooking duration | • |
| Programmable end of cooking duration | • |
| Programmable cooking duration | • |
| Actual temperature display | • |
| Target temperature display | • |
| Buzzer when desired temperature is reached | • |
| Recommended temperature | • |
| User programmes | • |
| Sabbath programme | • |
| Individual settings | • |
| Efficiency and sustainability | |
| Energy efficiency class (A+++ – D) | A+ |
| Power rating in off mode in W | 0.3 |
| Power rating in standby mode in W | 0.8 |
| Power rating in networked standby in W | 2.0 |
| Time until automatic switch to off mode in min | 20 |
| Time until automatic switch to standby in min | 20 |
| Time until automatic switch to networked standby in min | 20 |
| Cleaning and care | |
| Stainless steel/CleanSteel finish | • |
| Stainless-steel oven compartment with linen structure | • |
| Hinged grill element | • |
| External steam generator | • |
| HydroClean | • |
| Maintenance programmes | • |
| Soak programme | • |
| Rinse programme | • |
| Oven compartment drying programme | • |

DGC 7860 HC Pro

Combination steam oven

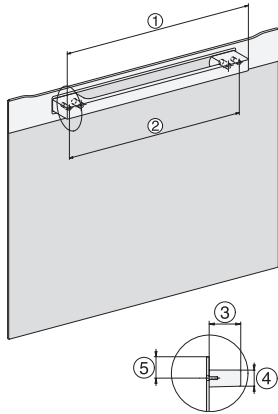
for steam cooking, baking, roasting with wireless food probe + HydroClean.

EAN: 4002516626282 / Material number: 12101680 /

Old Material Number: 23786049GB

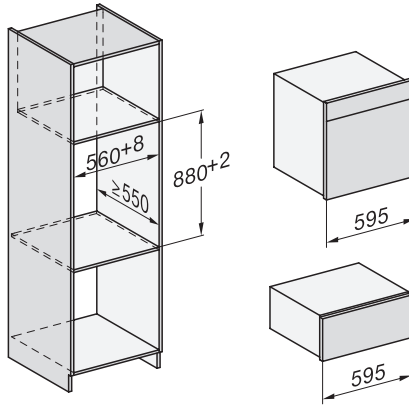
| | |
|--|-------------------------|
| Quick-release side racks | • |
| Removable stainless-steel side racks | • |
| Automatic descaling | • |
| CleanGlass door | • |
| Steam techn./water supply | |
| DualSteam | • |
| Steam generator power in kW | 3.30 |
| Fresh water container volume in l | 1.4 |
| Fresh water container behind motorised control panel | • |
| Condensate container behind motorised lift-up control panel with SoftClose | • |
| DirectWater | No |
| Drain filter | • |
| Safety | |
| Appliance cooling system and touch-cool front | • |
| Safety switch-off | • |
| System lock | • |
| Vapour cooling system | • |
| Sensor lock | • |
| Technical data | |
| Oven compartment volume in l | 67 |
| No. of shelf levels | 4 |
| Numbered shelf levels | • |
| Door hinge | Bottom |
| Oven light | BrilliantLight |
| Oven temperature regulation min. in °C | 30 |
| Oven temperature regulation max. in °C | 230 |
| Oven temperatures in °C | 30–230 |
| Electronic steam oven temperature regulation min. in °C | 40 |
| Electronic steam oven temperature regulation max. in °C | 100 |
| Steam oven temperatures in °C | 40–100 |
| Niche dimensions (W x H x D) in mm | 560-568 x 590-595 x 550 |
| Niche width min. in mm | 560 |
| Niche width max. in mm | 568 |
| Niche height min. in mm | 590 |
| Niche height max. in mm | 595 |
| Niche depth in mm | 550 |
| Appliance dimensions (W x H x D) in mm | 595 x 596 x 567 |
| Weight in kg | 46.4 |
| Total rated load in kW | 3.45 |
| Voltage in V | 230 |
| Frequency in Hz | 50 |
| Fuse rating in A | 16 |
| Number of phases | 1 |
| Mains cable with plug | • |
| Length of supply lead in m | 2 |
| Replacing lamps | Service |
| Accessories included | |
| Universal tray with PerfectClean HUBB 71 | 1 |

DGC 7860 HC Pro
 Combination steam oven
 for steam cooking, baking, roasting with wireless food probe + HydroClean.

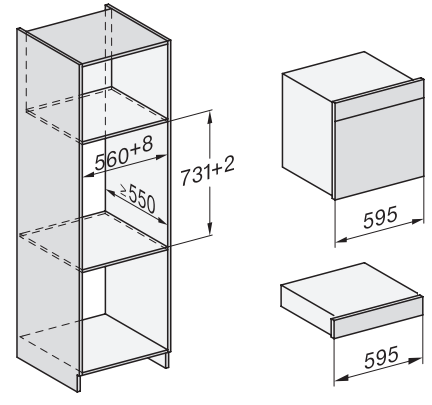


H7000 handle, installation drawing

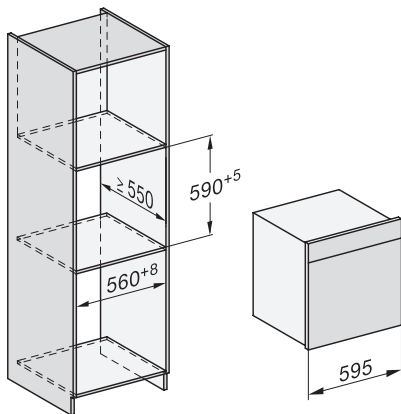
1) 400 mm, 2) 360 mm, 3) 47 mm, 4) 24 mm, 5) 32.5 mm



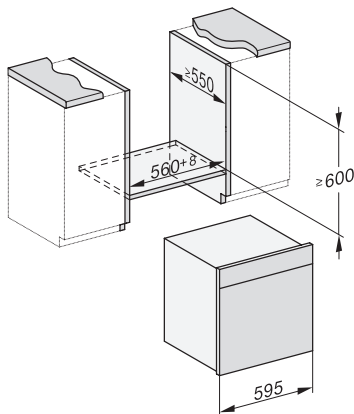
Installation DGC XXL, ESW7x20 installation drawings



Installation_DGC_XXL_ESW7x10_EVS7010 installation drawings

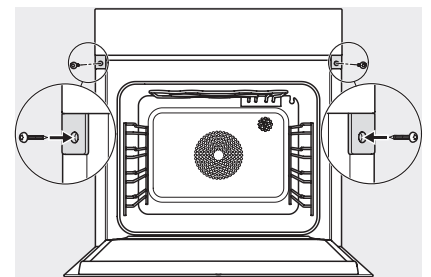


built-in DGC XXL, installation drawing

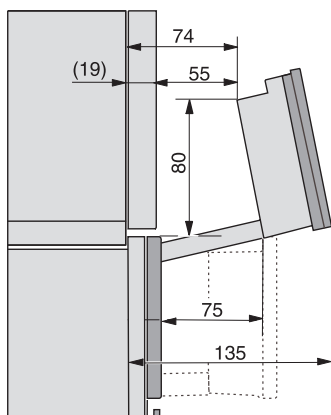


built-in DGC XXL build-under, installation drawing

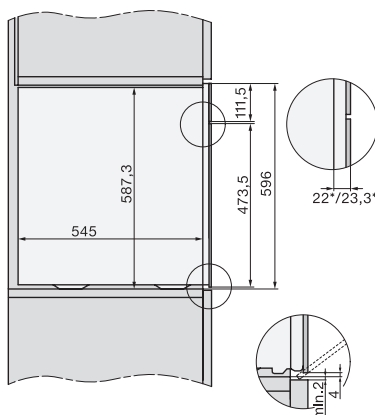
Worktop overhang ≤ 29 mm



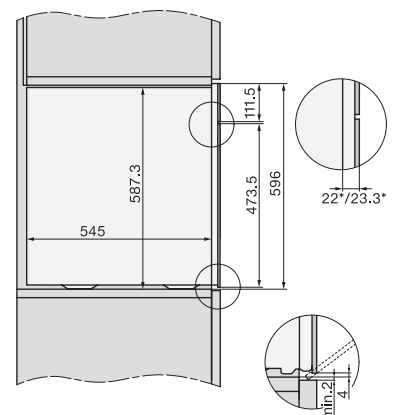
screw joint DGC XXL, installation drawing



DGC7x4x swivel range of the aperture, installation drawings



side view DGC XXL, installation drawings



Seitenansicht DGC XXL, installation drawing, GB, AU
 22 mm glass, 23,3 mm stainless steel