

H 2851 B

Oven

in a mix and match design with networking and PerfectClean.



- Clear text display with rotary controls – EasyControl Plus
- Particularly easy to clean – PerfectClean finish
- Network-enabled WiFi appliance – Miele@home
- Achieve perfect results with ease – automatic programmes
- For everything that is crunchy and crisp – AirFry operating mode



EAN: 4002516642831 / Material number: 12143940 /
Old Material Number: 22285144GB

| General information | |
|---|-----------------------------|
| Model identifier | H 2851 B |
| Manufacturer material number | 12143940 |
| EAN number | 4002516642831 |
| Marketing class | Silver |
| Construction type and design | |
| PureLine | • |
| Construction type and design | |
| Built-in oven | • |
| Colour | Stainless steel/Clean Steel |
| Convenience features | |
| Rapid heat-up | • |
| Operating modes | |
| Fan plus | • |
| Intensive bake | • |
| Conventional heat | • |
| Bottom heat | • |
| Fan grill | • |
| AirFry | • |
| Grill | • |
| Eco fan heat | • |
| Automatic programmes | • |
| User convenience | |
| Networking with Miele@home | • |
| Display | EasyControl Plus |
| SoftOpen | • |
| SoftClose | • |
| MultiLingua | • |
| Time of day display | • |
| Minute minder | • |
| Programmable start of cooking duration | • |
| Programmable end of cooking duration | • |
| Programmable cooking duration | • |
| Actual temperature display | • |
| Target temperature display | • |
| Buzzer when desired temperature is reached | • |
| Recommended temperature | • |
| Individual settings | • |
| Efficiency and sustainability | |
| Energy efficiency class (A+++ – D) | A+ |
| Power rating in off mode in W | 0.3 |
| Power rating in standby mode in W | 0.8 |
| Power rating in networked standby in W | 2.0 |
| Time until automatic switch to off mode in min | 20 |
| Time until automatic switch to standby in min | 20 |
| Time until automatic switch to networked standby in min | 20 |
| Cleaning and care | |
| Stainless steel/CleanSteel finish | • |

H 2851 B

Oven

in a mix and match design with networking and PerfectClean.



EAN: 4002516642831 / Material number: 12143940 /
Old Material Number: 22285144GB

Oven compartment with PerfectClean and catalytically
enamelled liners

CleanGlass door

Safety

Appliance cooling system and touch-cool front

Safety switch-off

System lock

Technical data

Oven compartment volume in l

No. of shelf levels

Numbered shelf levels

Oven light

Plug type

Niche width min. in mm

Niche width max. in mm

Niche height min. in mm

Niche height max. in mm

Niche depth in mm

Weight in kg

Total rated load in kW

Length of supply lead in m

Voltage in V

Frequency in Hz

Fuse rating in A

Number of phases

Replacing lamps

Accessories included

Universal tray with PerfectClean HUBB 71

Baking and roasting rack without PerfectClean

Removable side runners (pair)

Grilling and roasting insert with PerfectClean

Available display languages

Available display languages via MultiLingua

•

•

•

•

•

76

5

•

1 halogen spot

3 pole without plug

560

568

590

595

550

42.0

3.50

1.50

220-240

50

16

1

Customer

1

1

1

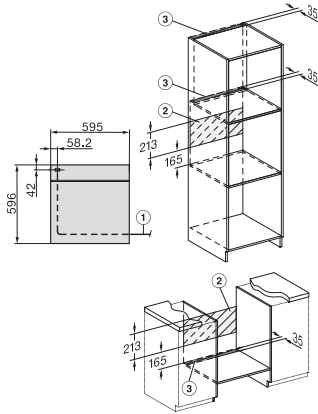
1

☐☐☐☐☐☐☐☐, ☐☐, ☐
☐☐☐, deutsch, dansk,
english, suomi, français,
ελληνικά, italiano, ☐☐☐,
☐☐☐, hrvatski, bahasa
malaysia, nederlands, norsk,
polski, português, română,
русский, svenska, srpski,
slovenčina, slovenščina,
español, čeština, türkçe,
українська, magyar

H 2851 B

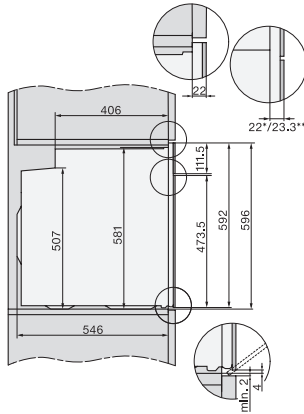
Oven

in a mix and match design with networking and PerfectClean.



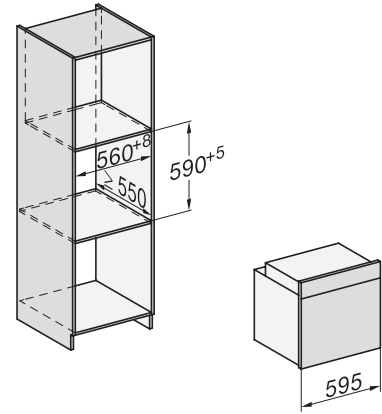
installation H7000 XL, installation drawing, GB, AU

1) Netzanschlussleitung, L=1500 mm, 2) In diesem Bereich kein Anschluss, 3) Lüftungsausschnitt min. 150 cm²

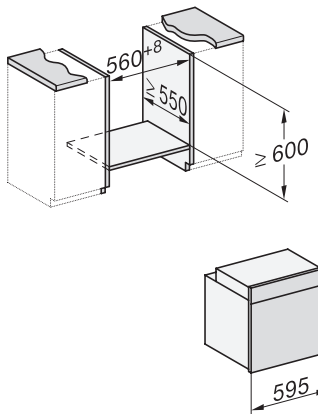


side view H7000 XL, installation drawings, GB, AU

22 mm – glass, 23.3 mm – metal

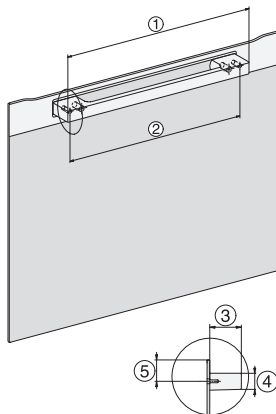


built-in H7000 XL, installation drawing



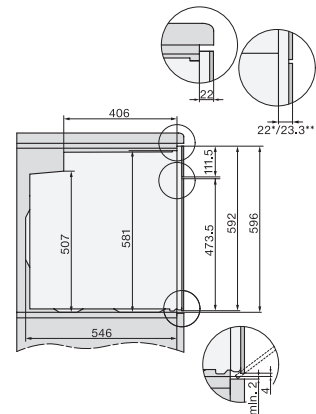
Installation H7000 XL underframe, installation drawings

If the oven is to be installed under a hob, follow the instructions for installing the hob and the height of the hob.



H7000 handle, installation drawing

1) 400 mm, 2) 360 mm, 3) 47 mm, 4) 24 mm, 5) 32.5 mm



side view H7000 XL build-under, installation drawing, GB, AU

22 mm – glass, 23.3 mm – metal