

H 2861 BP

Oven

mix and match design with networking, pyrolytic cleaning and FlexiClip runners.



- Clear text display with rotary controls – EasyControl Plus
- Minimal cleaning effort – Pyrolytic cleaning
- Network-enabled WiFi appliance – Miele@home
- Achieve perfect results with ease – automatic programmes
- For everything that is crunchy and crisp – AirFry operating mode



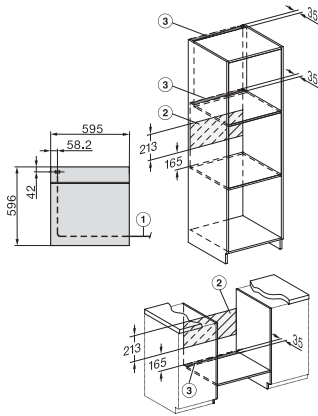
EAN: 4002516642961 / Material number: 12143960 /
Old Material Number: 22286145GB

General information	
Model identifier	H 2861 BP
Manufacturer material number	12143960
EAN number	4002516642961
Marketing class	Silver
Construction type and design	
PureLine	•
Construction type and design	
Built-in oven	•
Colour	Stainless steel/Clean Steel
Convenience features	
Rapid heat-up	•
Operating modes	
Fan plus	•
Intensive bake	•
Conventional heat	•
Fan grill	•
AirFry	•
Grill	•
Eco fan heat	•
Automatic programmes	•
User convenience	
Networking with Miele@home	•
Display	EasyControl Plus
SoftOpen	•
SoftClose	•
MultiLingua	•
Time of day display	•
Minute minder	•
Programmable start of cooking duration	•
Programmable end of cooking duration	•
Programmable cooking duration	•
Actual temperature display	•
Target temperature display	•
Buzzer when desired temperature is reached	•
Recommended temperature	•
Individual settings	•
Efficiency and sustainability	
Energy efficiency class (A+++ – D)	A+
Power rating in off mode in W	0.3
Power rating in standby mode in W	0.8
Power rating in networked standby in W	2.0
Time until automatic switch to off mode in min	20
Time until automatic switch to standby in min	20
Time until automatic switch to networked standby in min	20
Cleaning and care	
Stainless steel/CleanSteel finish	•
Pyrolytic self-cleaning	•

H 2861 BP

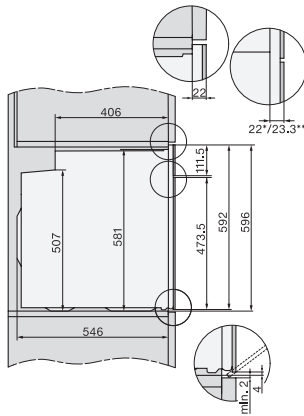
Oven

mix and match design with networking, pyrolytic cleaning and FlexiClip runners.



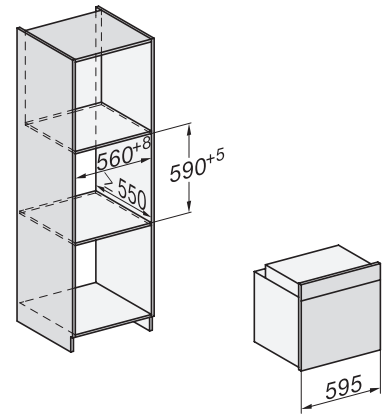
installation H7000 XL, installation drawing, GB, AU

1) Netzanschlussleitung, L=1500 mm, 2) In diesem Bereich kein Anschluss, 3) Lüftungsausschnitt min. 150 cm²

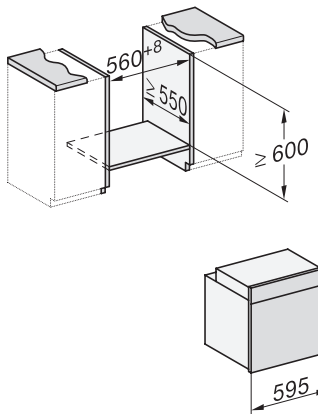


side view H7000 XL, installation drawings, GB, AU

22 mm – glass, 23.3 mm – metal

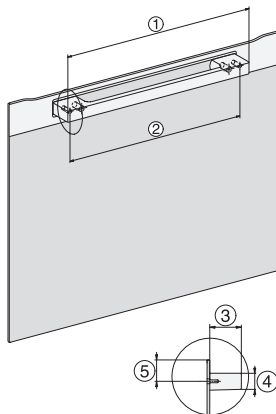


built-in H7000 XL, installation drawing



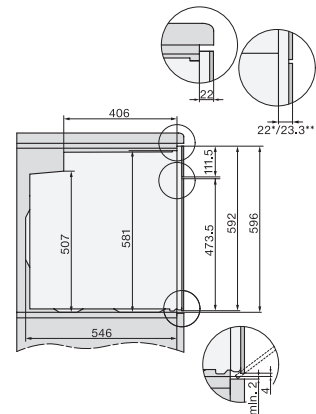
Installation H7000 XL underframe, installation drawings

If the oven is to be installed under a hob, follow the instructions for installing the hob and the height of the hob.



H7000 handle, installation drawing

1) 400 mm, 2) 360 mm, 3) 47 mm, 4) 24 mm, 5) 32.5 mm



side view H7000 XL build-under, installation drawing, GB, AU

22 mm – glass, 23.3 mm – metal