

## G 5150 SCVi Active

Fully integrated dishwashers

in tried-and-tested Miele quality at an affordable entry-level price.



- Perfect results in less than one hour – QuickPowerWash
- Save up to 50 % electricity with the Miele hot water connection
- Flexible basket design perfect for everyday use – Comfort baskets
- Very easy door opening and closing – ComfortClose
- More flexibility and space for your crockery – height-adjustable upper basket



EAN: 4002516610335 / Material number: 12153240 /  
Old Material Number: 21515062GB

<b>Model</b>	
Fully integrated dishwasher	•
60 cm dishwasher	•
<b>Design</b>	
Control panel colour	Stainless Steel.
Control panel version	Fully integrated fascia
Control type	Programme selector button
Display	3-digit 7-segment display
Display colour	Yellow
<b>Convenience</b>	
Door closing aid	AutoClose
Time left display	•
Delay start up to 24 hours	•
In-operation indicator light	acoustic, Display
<b>Efficiency and sustainability</b>	
Energy efficiency class (A–G)	D
Water consumption in the Automatic programme in l from	6.0
Water consumption of the ECO programme in litres per programme cycle	8.5
Electricity consumption in the ECO programme in kWh	0.84
Energy consumption of the ECO programme in kWh after 100 programme cycles	84
Consumption value in kWh in the ECO programme with hot water connection	0.57
Duration of ECO programme in minutes	265
Number of place settings	14
Noise emission class	C
EcoPower Technology	•
Proven hygiene	•
Hot water connection	•
Half load	•
<b>Quality of results</b>	
Fresh water dishwasher	•
BrilliantGlassCare	•
<b>Wash programmes</b>	
QuickPowerWash	•
ECO	•
Automatic	•
Intensive 75 °C	•
Gentle	•
<b>Dishwashing options</b>	
Express	•
Extra Clean	•
Extra dry	•
<b>Basket design</b>	
Cutlery loading	Cutlery tray
FlexCare cup rack	1
Basket design	Comfort

## G 5150 SCVi Active

Fully integrated dishwashers

in tried-and-tested Miele quality at an affordable entry-level price.



EAN: 4002516610335 / Material number: 12153240 /  
Old Material Number: 21515062GB

### Safety

Waterproof system

•

### Technical data

Niche width minimal in mm 600

Niche width max in mm 600

Niche height minimal in mm 805

Niche height maximal in mm 870

Niche depth in mm 550

Appliance width in mm 598

Appliance height in mm 805

Appliance depth in mm 550

Depth with door open in cm 116.5

Net weight in kg 44.0

Total rated load in kW 2.00

Voltage in V 230

Fuse rating in A 10

Number of phases 1

Electrical frequency standard 50

Length of water inlet hose in m 1.50

Length of water drain hose in m 1.50

Length of supply lead in m 1.80

Min. front panel weight in kg 4.0

Max. front panel weight in kg 11.0

[can be retrofitted by Service to min.] 8.0

[can be retrofitted by Service to max.] 16.0

### Accessories included

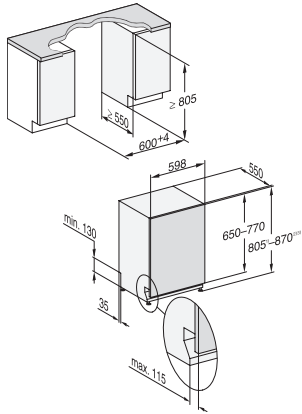
Voucher for 1 x box of UltraTabs (20 tabs) or 3 boxes  
(60 tabs in each) at a reduced price

•

## G 5150 SCVi Active

Fully integrated dishwashers

in tried-and-tested Miele quality at an affordable entry-level price.



G7000, fully integrated dishwasher, 60cm (installation drawing)

1) Plinth height 35-155 mm, 2) Plinth height 100-220 mm, 3) Appliance height max. 930 mm with plinth height conversion kit (Mat.-Nr. 6.394.761),