

M 7244 TC

Built-in microwave oven

in a design that is the perfect complement with controls on the top.



- Clear-text display with sensor controls – DirectSensor S
- Optimum and even browning – integrated Quartz grill
- Perfect defrosting and cooking – Automatic programmes
- Plenty of room – 46 l oven compartment volume and 40 cm turntable
- Popcorn at the touch of a button – Popcorn button

EAN: 4002516621119 / Material number: 12173560 / Old Material Number: 24724420GB

General information	
Model identifier	M 7244 TC
Manufacturer material number	12173560
EAN number	4002516621119
Marketing class	Gold
Construction type and design	
VitroLine	•
TopControl	•
Construction type and design	
Built-in microwave oven	•
Colour	Obsidian black
Convenience features	
Keeping warm	•
Quartz grill	•
Operating modes	
Microwave	•
Grill	•
Microwave/grill combination mode	•
Automatic programmes	•
User convenience	
Display	DirectSensor S
SoftOpen	•
SoftClose	•
MultiLingua	•
Popcorn function	•
Time of day display	•
Minute minder	•
Programmable end of cooking duration	•
Programmable cooking duration	•
Quick microwave	•
Individual settings	•
Efficiency and sustainability	
Night dimming	•
Power rating in off mode in W	0.3
Power rating in standby mode in W	0.8
Time until automatic switch to off mode in min	20
Time until automatic switch to standby in min	20
Cleaning and care	
Stainless steel oven compartment	•
CleanGlass door	•
Safety	
Appliance cooling system and touch-cool front	•
System lock	•
Safety switch-off	•
Safety lock "Door" warning	•
Technical data	
Oven compartment volume in l	46
Door hinge	Bottom

M 7244 TC

Built-in microwave oven

in a design that is the perfect complement with controls on the top.



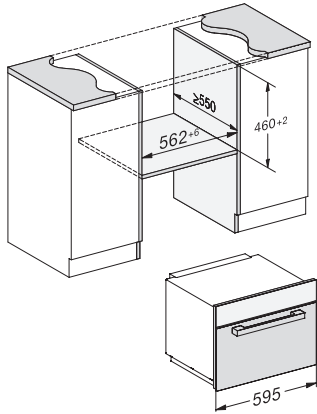
EAN: 4002516621119 / Material number: 12173560 / Old Material Number: 24724420GB

Oven light	1 LED spot
Turntable diameter in cm	40.6
Oven interior height in cm	23.2
Plug type	Schuko plug with earth
Electronically controlled microwave power	•
Microwave power levels in W	
Maximum microwave power in W	900
Grill power rating in W	1500
Niche width min. in mm	562
Niche width max. in mm	568
Niche-independent venting	•
Niche height min. in mm	450
Niche height max. in mm	452
Niche depth in mm	550
Appliance dimensions (W x H x D) in mm	595 x 456 x 560
Weight in kg	29.1
Total rated load in kW	1.6
Length of supply lead in m	2.10
Voltage in V	220-240
Frequency in Hz	50
Fuse rating in A	10
Number of phases	1
Mains cable with plug	•
Replacing lamps	Service
Accessories included	
Grilling rack	1
Gourmet plate	1
Turntable	1
Available display languages	
Available display languages via MultiLingua	<p> ????????, ??, ? ???, deutsch, dansk, english, suomi, français, ελληνικά, italiano, ???, ???, hrvatski, bahasa malaysia, nederlands, norsk, polski, portugês, română, русский, svenska, srpski, slovenčina, slovenščina, español, čeština, türkçe, українська, magyar </p>

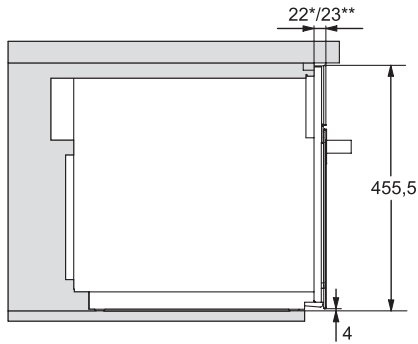
M 7244 TC

Built-in microwave oven

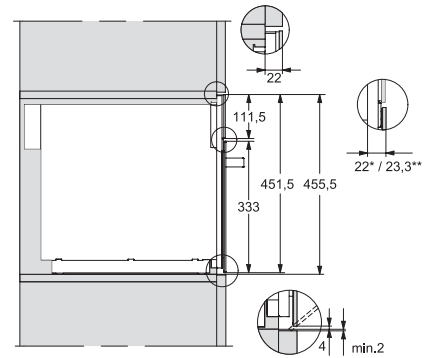
in a design that is the perfect complement with controls on the top.



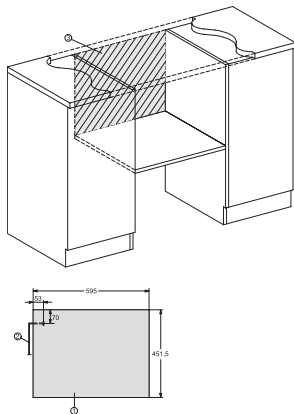
M7140TC, M724x, installation drawings



M7140TC, M724xTC, installation drawing

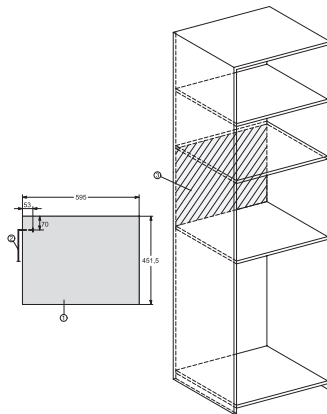


M7140TC, M724xTC, installation drawing
22 mm – glass, 23.3 mm – stainless steel



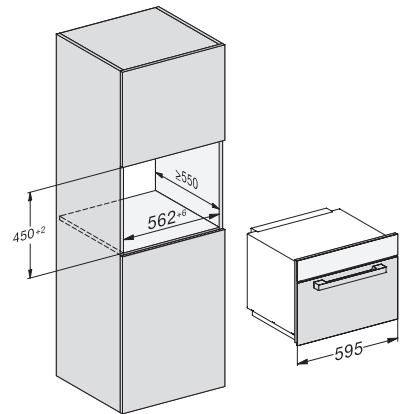
M7140TC, M724x, installation drawings

1) Front view, 2) Mains connection cable L=1,600 mm, 3)
No connection in this area



M7140TC, M724x, installation drawings

1) Front view, 2) Mains connection cable L=1,600 mm, 3)
No connection in this area



M7140TC, M724x, installation drawings