

ESW 7020

29 cm high handleless Gourmet warming drawer

for preheating crockery, keeping food warm and low temperature cooking.



- The ultimate in enjoyment – low temperature cooking
- Always at the right temperature – 4 functions
- Convenient and easy – Touch control
- Opening the drawer couldn't be easier – Push2open
- Better safe than sorry – timer function with automatic switch-off

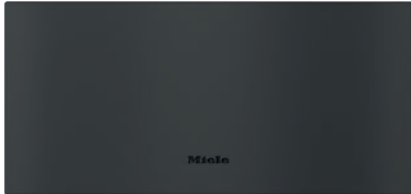
EAN: 4002516713630 / Material number: 12310300 /
Old Material Number: 30702050GB

General information	
Model identifier	ESW 7020
Manufacturer material number	12310300
EAN number	4002516713630
Construction type and design	
Gourmet warming drawer	•
ArtLine	•
Handleless	•
Construction type and design	
Colour	Obsidian black matt
Operating modes	
Cup warming	•
Plate warming	•
Keeping food warm	•
Low temperature cooking	•
Convenience features	
Pre-heating crockery	•
Keeping food warm	•
Perfect cooking results at low temperature	•
User convenience	
Miele@home	•
Push2open mechanism	•
Fully telescopic runners for easy loading and unloading of the warming drawer	•
Control panel with sensor controls	•
Timer function	•
Sabbath programme	•
Control panel with symbols	•
Stop programming	•
Cleaning and care	
Flush control panel	•
Safety	
Cool front	•
Anti-slip mat	•
Safety switch-off	•
Accessory drawer	
Capacity	12 place settings
Technical data	
Temperatures min. in °C	40
Temperatures max. in °C	85
Appliance width in mm	595
Appliance height in mm	289
Appliance depth in mm	570
Useable interior height in mm	230
Total rated load in kW	0.70
Voltage in V	230
Frequency in Hz	50-60
Fuse rating in A	10

ESW 7020

29 cm high handleless Gourmet warming drawer

for preheating crockery, keeping food warm and low temperature cooking.



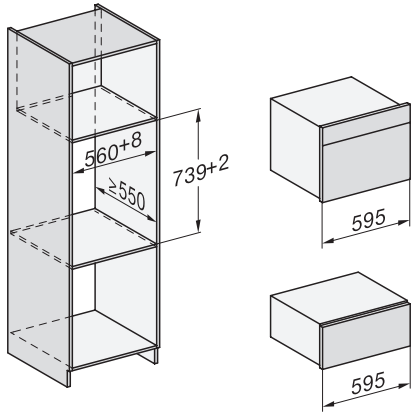
EAN: 4002516713630 / Material number: 12310300 /
Old Material Number: 30702050GB

Number of phases	1
Mains cable with plug	•
Length of supply lead in m	2.0
Accessories included	
Anti-slip mat	1
Rack for increased capacity	1

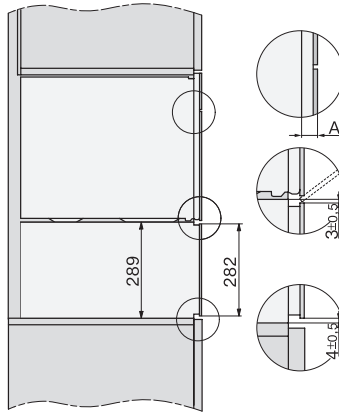
ESW 7020

29 cm high handleless Gourmet warming drawer

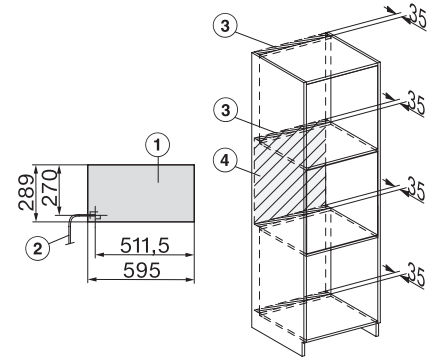
for preheating crockery, keeping food warm and low temperature cooking.



Installation DG, DGM, DGC XL, ESW7x20 installation drawings

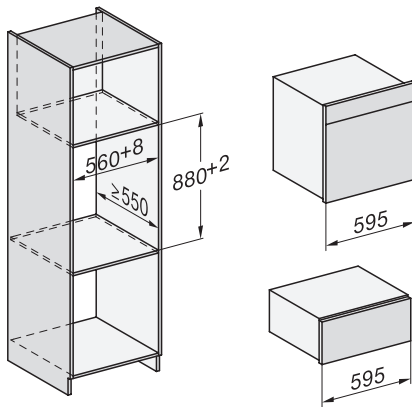


side view, DG, DGM, ESW7x20 installation drawings

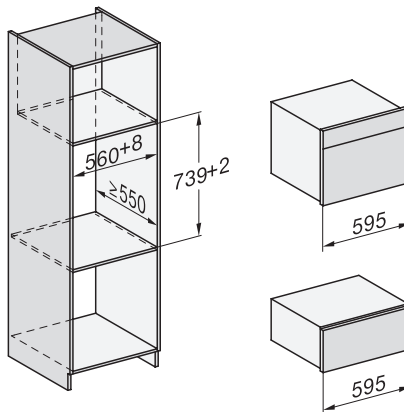


Installation, ESW7x20, DGM7x4x installation drawings

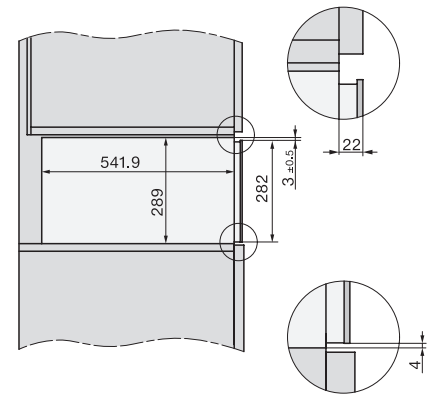
1) Front view, 2) Mains connection cable, L=2.000 mm, 3) Ventilation cut min. 180 cm², 4) No connection in this area



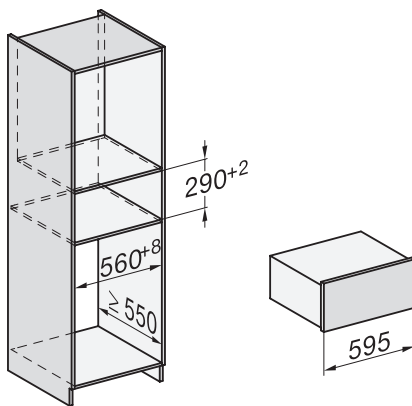
Installation DGC XXL, ESW7x20 installation drawings



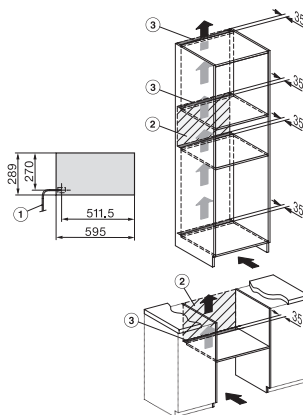
ESW7020, Installation drawings, XL combination niche height



side view ESW7x20, installation drawing, GB, AU



built-in ESW7x20, installation drawing



Installation ESW7x20, installation drawing, GB, AU

1) Front view, 2) Mains connection cable, L=2.000 mm, 3) ventilation cut-out min. 180 cm², 4) no connection in this area