

EVS 7010

Handleless built-in vacuum drawer, 14 cm high
for professional vacuum packing of food.



- Remains fresh for longer – storage and portioning of food
- Intense taste – marinating food
- Preparation of food for sous-vide cooking
- Easy handling – Touch controls and fully telescopic runners
- Opening the drawer couldn't be easier – Push2open

EAN: 4002516714491 / Material number: 12310330 / Old Material Number: 30701051GB

| | |
|-------------------------------------------------------------------------------|---------------------|
| Construction type and design | |
| Built-in vacuum sealing drawer | • |
| ArtLine | • |
| Handleless | • |
| Construction type and design | |
| Appliance colour | Obsidian black matt |
| Operating modes | |
| Vacuum sealing | • |
| Convenience features | |
| Marinating food | • |
| Convenience features | |
| Food can be stored for longer | • |
| Preparing food for sous-vide cooking | • |
| Range of applications | |
| Vacuum sealing food | • |
| Vacuum sealing liquids | • |
| Vacuum sealing containers | • |
| Marinating food | • |
| Dividing food into portions | • |
| Resealing original packaging | • |
| Sealing jars | • |
| User convenience | |
| Push2open mechanism | • |
| Fully telescopic runners for easy loading and unloading of the warming drawer | • |
| Control panel with sensor controls | • |
| Sealing duration settings | 1 - 3 |
| Control panel with symbols | • |
| Stop function | • |
| Vacuumping strength min. in steps | 1 |
| Max. vacuum settings | 3 |
| LED vacuum setting indicator | • |
| Vacuumping strength min. for external containers in steps | 1 |
| Max. vacuum settings for external containers | 3 |
| LED vacuum setting indicator | • |
| LED sealing duration indicator | • |
| Vacuum-sealing technology | |
| Stainless-steel vacuum chamber | • |
| Cleaning and care | |
| Flush control panel | • |
| Note regarding moisture removal from the vacuum pump | • |
| Replaceable sealing bar | • |
| Safety | |
| Safety switch-off | • |
| Technical data | |
| Appliance width in mm | 595 |
| Appliance height in mm | 141 |
| Appliance depth in mm | 570 |

EVS 7010

Handleless built-in vacuum drawer, 14 cm high
for professional vacuum packing of food.

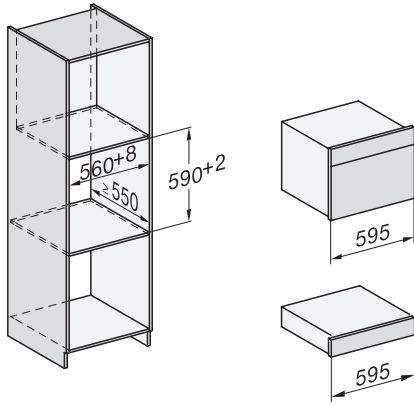


EAN: 4002516714491 / Material number: 12310330 / Old Material Number: 30701051GB

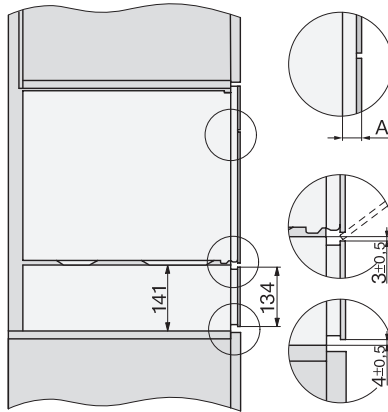
| | |
|------------------------------------------------------|-------|
| Useable interior height in mm | 80 |
| Total rated load in kW | 0.32 |
| Voltage in V | 230 |
| Frequency in Hz | 50-60 |
| Fuse rating in A | 10 |
| Number of phases | 1 |
| Mains cable with plug | • |
| Length of supply lead in m | 1.8 |
| User convenience | |
| Stainless steel vacuum sealing chamber capacity in l | 8.0 |
| Minimum bag size in mm | 250 |
| Maximum bag size in mm | 350 |
| Vacuum-sealing technology | |
| Pump capacity in m ³ /h | 4 |
| Accessories included | |
| Adapter for vacuum-sealing container | 1 |
| Vacuum sealing bag support | 1 |
| Vacuum sealing bags | • |
| Number of vacuum sealing bags 180 x 280 mm | 50 |
| Number of vacuum sealing bags 240 x 350 mm | 50 |

EVS 7010

Handleless built-in vacuum drawer, 14 cm high
for professional vacuum packing of food.

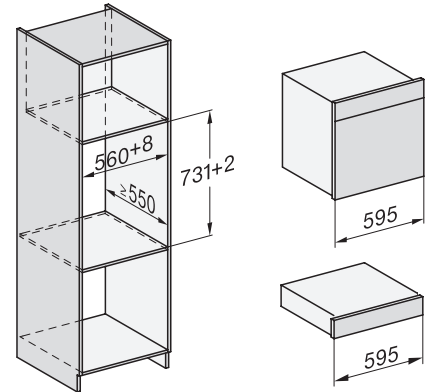


Installation_DG_DGM_DGC_XL_ESW7x10_EVS7010, installation drawings

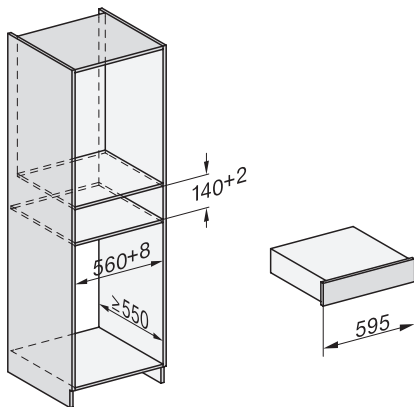


Side view_DG_DGM_ESW7x10_EVS7010 installation drawings

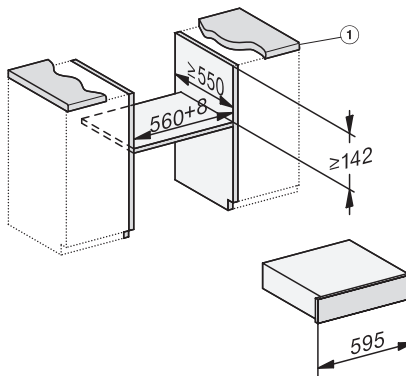
A) 22 mm glass, 23,3 mm stainless steel



Installation_DGC_XXL_ESW7x10_EVS7010 installation drawings

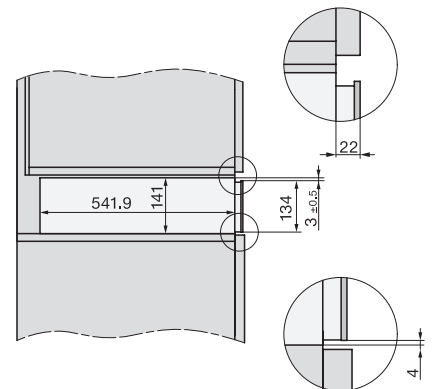


built-in ESW7x10 EVS7010, installation drawing

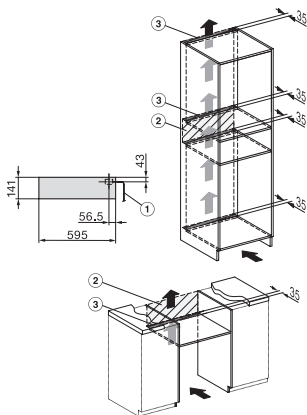


built-in EVS 7010 build-under, installation drawing

1) Countertop overhang ≤ 29mm



side view ESW7x10 EVS7010, installation drawing, GB, AU



installation EVS7010 installation drawing, GB, AU

1) Mains connection cable, L=2000 mm, 2) No connection in this area, 3) Ventilation cutout min. 180 cm²