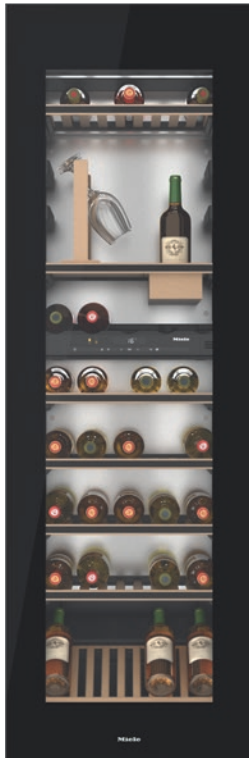


KWT 6722 iGS-1

Built-in wine conditioning unit, 178 cm niche height
with FlexiFrame, SommelierSet and Push2open for demanding wine connoisseurs.



- Flexible storage of larger wine bottles thanks to FlexiFrame
- Perfect design for handleless kitchens – Push2open
- Simultaneous wine storage in separate temperature zones
- Odourless refrigeration section thanks to Active AirClean filters
- Present your wine in the perfect light – LED lighting

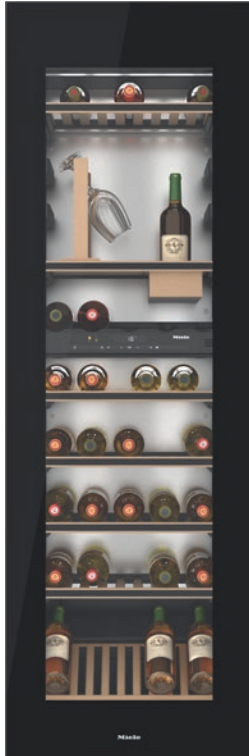


EAN: 4002516712350 / Material number: 12364310 /
Old Material Number: 36672222EU1

General information	
Model identifier	KWT 6722 iGS-1
Manufacturer material number	12364310
EAN number	4002516712350
Class	Diamond
Appliance category	
Wine conditioning unit	•
Construction type	
Built-in appliance	•
Integrated appliance	•
Door hinge	right
Convertible door hinging	•
Side-by-side enabled	•
Design	
Front colour	Glass door
Wine compartment lighting	LED illumination
User convenience	
Networking with Miele@home	•
Accessories required	XKS 3130 W
Door opening aid	Push2open
DynaCool	•
SoftClose	•
Active AirClean filter	•
Silence system	•
Total number of shelves	8
Number of shelves	8
Shelf material	Beechwood
Number of FlexiFrame racks	8
SommelierSet	•
NoteBoard	Yes
3 D bottle presenter	•
Low-vibration storage	•
Control system	
Operating concept	TouchControl
No. of temperature zones	2
Min. temperature setting range in °C	5
Max. temperature setting range in °C	20
Efficiency and sustainability	
Energy efficiency class (A–G)	G
Annual energy consumption in kWh	165.00
Energy consumption in 24 h in kWh	0.45
Safety	
Lock function	•
Acoustic door alarm	•
Acoustic temperature alarm	•
Optical door alarm	•
Optical temperature alarm	•

KWT 6722 iGS-1

Built-in wine conditioning unit, 178 cm niche height
with FlexiFrame, SommelierSet and Push2open for demanding wine connoisseurs.

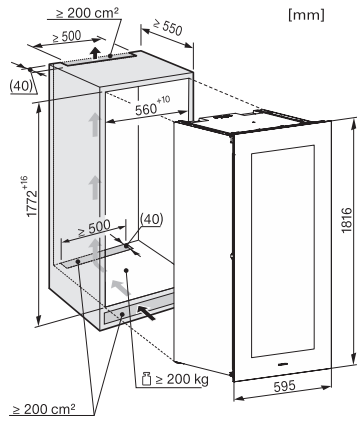


EAN: 4002516712350 / Material number: 12364310 /
Old Material Number: 36672222EU1

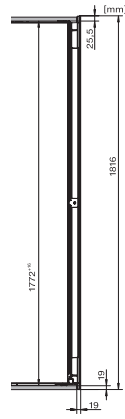
Technical data	
Niche width in mm min.	560
Niche width in mm max.	570
Niche height in mm min.	1772
Niche height in mm max.	1780
Niche depth in mm	550
Appliance width in mm	595
Appliance height in mm	1770
Appliance depth in mm	572
Weight in kg	94.0
Climate range	SN
Wine compartment in l	271
Total usable capacity in l	271
0.75 l Bordeaux bottle capacity (no. of bottles)	83 bottles
Acoustic airborne noise emission class (A–D)	B
Sound emissions in dB(A) re 1 pW	32
Current consumption (mA)	1500
Voltage in V	220-240
Fuse rating in A	10
Number of phases	1
Frequency in Hz	50-60
Length of supply lead in m	2.8

KWT 6722 iGS-1

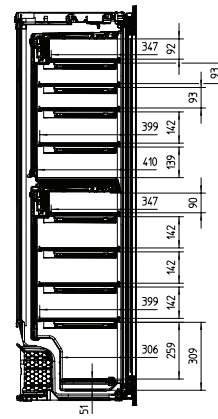
Built-in wine conditioning unit, 178 cm niche height with FlexiFrame, SommelierSet and Push2open for demanding wine connoisseurs.



KWT6722iGS, KWT6722iGS-1, installation draw



KWT6722iGS, KWT6722iGS-1, side view (installation drawing)



KWT6722iGS, KWT6722iGS-1, Interior dimensions (Installation drawings)