

KWT 6722 iS-1

Built-in wine conditioning unit, 178 cm niche height
with FlexiFrame and SommelierSet for demanding wine connoisseurs.



- Flexible storage of larger wine bottles thanks to FlexiFrame
- Simultaneous wine storage in separate temperature zones
- Odourless refrigeration section thanks to Active AirClean filters
- Present your wine in the perfect light – LED lighting



EAN: 4002516712367 / Material number: 12364320 /
Old Material Number: 36672202EU1

General information	
Model identifier	KWT 6722 iS-1
Manufacturer material number	12364320
EAN number	4002516712367
Class	Diamond
Appliance category	
Wine conditioning unit	•
Construction type	
Built-in appliance	•
Integrated appliance	•
Door hinge	right
Convertible door hinging	•
Side-by-side enabled	•
Design	
Wine compartment lighting	LED illumination
User convenience	
Networking with Miele@home	•
Accessories required	XKS 3130 W
DynaCool	•
SoftClose	•
Active AirClean filter	•
Silence system	•
Total number of shelves	8
Number of shelves	8
Shelf material	Beechwood
Number of FlexiFrame racks	8
SommelierSet	•
NoteBoard	Yes
3 D bottle presenter	•
Low-vibration storage	•
Control system	
Operating concept	TouchControl
No. of temperature zones	2
Min. temperature setting range in °C	5
Max. temperature setting range in °C	20
Efficiency and sustainability	
Energy efficiency class (A–G)	G
Annual energy consumption in kWh	162.00
Energy consumption in 24 h in kWh	0.44
Safety	
Lock function	•
Acoustic door alarm	•
Acoustic temperature alarm	•
Optical door alarm	•
Optical temperature alarm	•
Technical data	
Niche width in mm min.	560
Niche width in mm max.	570

KWT 6722 iS-1

Built-in wine conditioning unit, 178 cm niche height
with FlexiFrame and SommelierSet for demanding wine connoisseurs.

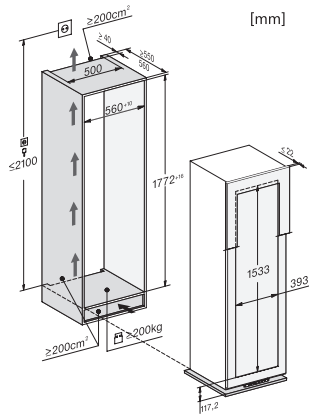


EAN: 4002516712367 / Material number: 12364320 /
Old Material Number: 36672202EU1

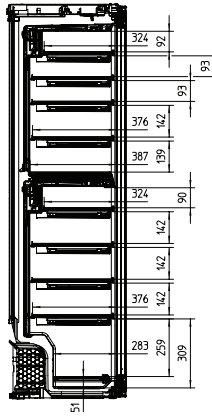
Niche height in mm min.	1772
Niche height in mm max.	1780
Niche depth in mm	550
Appliance width in mm	557
Appliance height in mm	1770
Appliance depth in mm	553
Weight in kg	90.0
Door hinge technology	Fixed door
Max. door front weight – refrigerator, in kg	20
Climate range	SN-ST
Wine compartment in l	254
Total usable capacity in l	254
0.75 l Bordeaux bottle capacity (no. of bottles)	80 bottles
Acoustic airborne noise emission class (A–D)	B
Sound emissions in dB(A) re 1 pW	32
Current consumption (mA)	1500
Voltage in V	220-240
Fuse rating in A	10
Number of phases	1
Frequency in Hz	50-60
Length of supply lead in m	2.8

KWT 6722 iS-1

Built-in wine conditioning unit, 178 cm niche height with FlexiFrame and SommelierSet for demanding wine connoisseurs.



KWT6722iS, KWT6722iS-1, Installation draw



KWT6722iS, KWT6722iS-1, Interior dimensions (Installation drawings)