

WSK363 WCS PWash&10kg

W1 front-loader washing machine:

A | 10 kg | 1400 rpm | QuickPowerWash | Pre-ironing | honeycomb drum



- Tested for 20 years of perfect laundry care*
- Save energy in the best energy efficiency class (A)
- QuickPowerWash ensures fast, efficient results in just 49 minutes**
- The Pre-ironing Extra reduces creasing, saving up to 50 % time and effort***
- Gentle XXL laundry care with the Miele honeycomb drum – even for 10 kg loads

* During the development phase of the W1 / W2 washing machine series, Miele tested models and core components in 5000 wash loads (= 5 wash loads per week for 50 weeks per year) in various programmes. More: miele.com/20years

** This applies to all Miele washing machines that enable the process and machine-related parameters presented in the summary of the WL 1110/18 test report to be implemented.

*** Patent EP 2 088 231



EAN: 4002516789260 / Material number: 12392790 /
Old Material Number: 11SK3631GB

General information	
Model identifier	WSK363 WCS PWash&10kg
Manufacturer material number	12392790
EAN number	4002516789260
Marketing class	Platinum
Construction type	
Suitable for stacking	•
Door hinging	right
Side-by-side	•
Slot-in	•
Model	
Product brand	W1 White Edition
Front-loader	•
Spinning	
Max. spin speed	1400
Rinse hold	•
Without spin function	•
Design	
Appliance colour	Lotus white
Control panel colour	Lotus white
Door design	Obsidian black with white ring
Rotary selector colour	Lotus White
Control panel version	5° inclined
Control type	Rotary control
Display	DirectSensor white, 7 segment
Cleaning performance	
Innovative PowerWash technology	•
CapDosing portioned dispensing	•
Gentle laundry care	
Honeycomb drum	•
Load in kg	10
User convenience	
Networking with Miele@home	•
Delay start up to 24 hours	•
Time left display	•
Programme sequence indicator	•
AutoClean detergent drawer	•
AddLoad	•
Efficiency	
Energy efficiency class (A–G)	A
Weighted energy consumption per 100 operating cycles for the wash cycle in kWh	52
Weighted water consumption per cycle in l	52
Spin efficiency class (A–G)	B
Acoustic airborne noise emission class (spin cycle; A–D)	A
Sound emissions during spin cycle in dB(A) re 1 pW	71

WSK363 WCS PWash&10kg

W1 front-loader washing machine:

A I 10 kg I 1400 rpm I QuickPowerWash I Pre-ironing I honeycomb drum



EAN: 4002516789260 / Material number: 12392790 /

Old Material Number: 11SK3631GB

Duration of the "ECO 40-60" programme at nominal capacity	239
Power rating in off mode in W	0.40
Power rating in networked standby in W	0.80
Low temperature wash "Cold" and "20 °C"	•
Automatic load control	•
Flow meter	•
Foam sensing	•
ProfiEco motor	•
Wash programmes	
QuickPowerWash	•
Cottons (coloureds)	•
Minimum iron	•
Delicates	•
Shirts	•
Woollens (hand-washable)	•
Express 20	•
Dark garments / Denim	•
Proofing	•
Drain / Spin	•
ECO 40-60	•
Washing extras	
Short	•
Pre-wash	•
Water plus	•
Additional rinse cycle	•
Pre-ironing with steam	•
Buzzer	•
Safety	
Water protection system	Watercontrol-System
Safety lock	•
PIN-Code	•
Optical interface	•
Technical data	
Dimensions (H x W x D) in mm	850 x 596 x 643
Dimensions in mm (width)	596
Dimensions in mm (height)	850
Dimensions in mm (depth)	643
Appliance depth in mm with opened door	1077
Weight in kg	93
Voltage in V	220-240
Fuse rating in A	13
Frequency in Hz	50
Total rated load in kW	2.10-2.40
Length of water inlet hose in m	1.60
Length of water drain hose in m	1.50
Length of supply lead in m	2
Accessories included	
3 Caps	•

Miele

WSK363 WCS PWash&10kg

W1 front-loader washing machine:

A | 10 kg | 1400 rpm | QuickPowerWash | Pre-ironing | honeycomb drum



EAN: 4002516789260 / Material number: 12392790 /

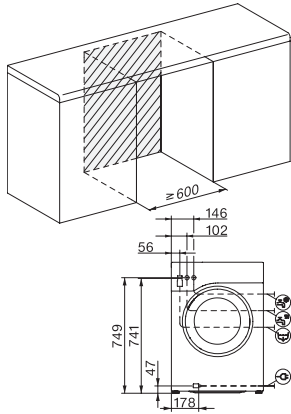
Old Material Number: 11SK3631GB

Voucher for Miele detergent

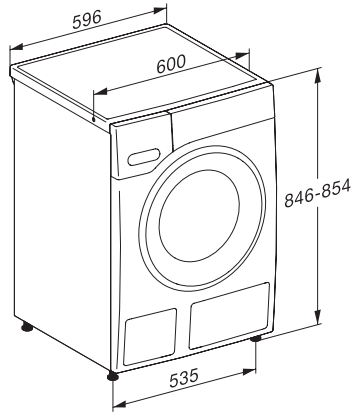
WSK363 WCS PWash&10kg

W1 front-loader washing machine:

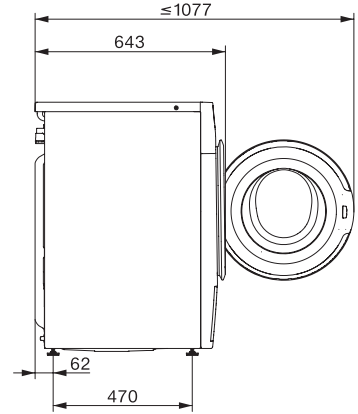
A | 10 kg | 1400 rpm | QuickPowerWash | Pre-ironing | honeycomb drum



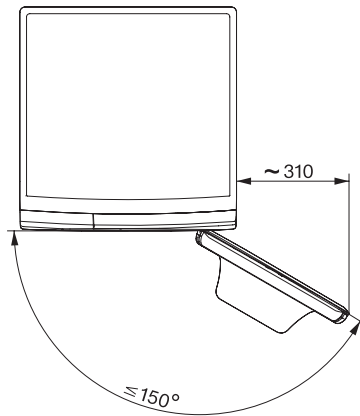
W1 drawing, facia 5 degree, measures in mm



W1 drawing, facia 5 degree, measures in mm



W1 drawing, facia 5 degree, measures in mm



W1 drawing, facia 5 degree, measures in mm