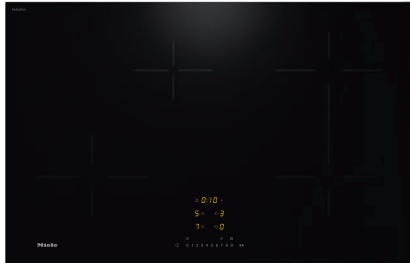


KM 7373 FL

Induction hob with onset controls
with flex cooking area for large cookware



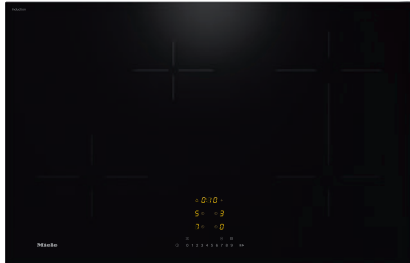
- Quick selection via numerical keybank – ComfortSelect
- 4 cooking zones incl. 1 flex cooking area
- A width of 800 mm for surface-mounted or flush-fit installation
- Communication with the cooker hood – automatic Con@ctivity function
- Convenient use of large cookware items thanks to combinable Flex cooking zones

EAN: 4002516733089 / Material number: 12399730 /
Old Material Number: 26737370GB

General information	
Model identifier	KM 7373 FL
Manufacturer material number	12399730
EAN number	4002516733089
Marketing class	Silver
Heating type	
Heating type	Induction
Construction type	
Independent of cooker	•
Design	
Elegant glass ceramic surface	•
Ceramic surface colour	Black
Flush	•
Surface-mounted installation	•
Cooking zone details	
Number of cooking zones	4
Number of cooking areas	1
Maximum number of pans	4
PowerFlex cooking zones	
No.	2
Type	Flex cooking zone
Size in mm	Ø 110-210
Max. rating in W	2100
Max. Booster power rating in W	3000
1st cooking zone/cooking area	
Position	front left
Type	Dual-circuit ring
Size in mm	Ø 110-220
Max. rating in W	2300
Max. Booster power rating in W	3000
2nd cooking zone/cooking area	
Position	rear left
Type	Dual-circuit ring
Size in mm	Ø 90-160
Max. rating in W	1350
Max. Booster power rating in W	1850
3rd cooking zone/cooking area	
Position	right
Type	Flex cooking zone
Size in mm	210x400
Max. rating in W	3000
Max. Booster power rating in W	3650
User convenience	
Networking with Miele@home	•
Con@ctivity	•
Pan and pan size recognition	•
Operation via sensor controls	ComfortSelect
Display colour	Yellow

KM 7373 FL

Induction hob with onset controls
with flex cooking area for large cookware

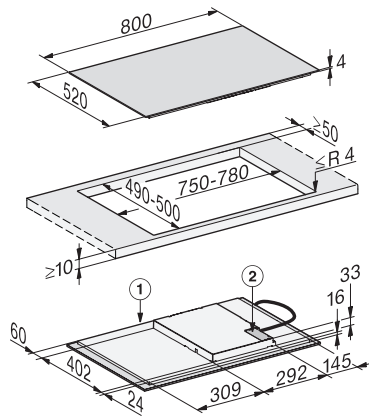


EAN: 4002516733089 / Material number: 12399730 /
Old Material Number: 26737370GB

Permanent pan recognition	•
Stop & Go function	•
Recall function	•
Minute minder	•
Safety switch-off	•
Auto heat-up	•
Keeping warm	•
Individual setting options (e.g. buzzers)	•
Efficiency	
Residual heat utilisation	•
Power rating in off mode in W	0.5
Power rating in standby mode in W	0.8
Power rating in networked standby in W	2.0
Time until automatic switch to off mode in min	10
Time until automatic switch to standby in min	10
Time until automatic switch to networked standby in min	10
Cleaning and care	
Easy to clean ceramic glass	•
Safety	
Safety switch-off	•
Lock function	•
System lock	•
Integrated cooling fan	•
Overheating protection	•
Residual heat indicator	•
Technical data	
Dimensions in mm (width)	800
Dimensions in mm (height)	53
Dimensions in mm (depth)	520
Casing height incl. connection box in mm	53
Cutout dimensions in mm (width) with surface-mounted installation	750 mm – 780 mm
Cutout dimensions in mm (depth) with surface-mounted installation	490 mm – 500 mm
Internal cutout dimensions in mm (width) with flush installation	780
Internal cutout dimensions in mm (depth) with flush installation	500
Weight in kg	11
External cutout dimensions in mm (width) with flush installation	804
External cutout dimensions in mm (depth) with flush installation	524
Total rated load in kW	7.30
Length of supply lead in m	1.4
Voltage in V	230
Frequency in Hz	50-60
Accessories included	
Mains cable	Yes

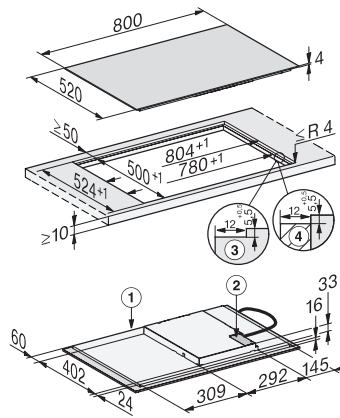
KM 7373 FL

Induction hob with onset controls
with flex cooking area for large cookware



KM7373FL, KM7372FL surface-mounted (*Fußnote)
(Installation drawing)

1) front, 2) Mains connection box, The mains connection cable (L = 1440 mm) is enclosed loose



KM7373FL, KM7372FL flush (*Fußnote) (Installation drawing)

1) front, 2) Mains connection box, The mains connection cable (L = 1440 mm) is enclosed loosely, 3) Step milling natural stone worktop, 4) Wooden strip 12 mm (no supplied accessories)