

## G 7380 SCVi FF

Fully integrated dishwashers

for perfect gaps and joints in the kitchen thanks to FrontFit



- Best energy efficiency class A – energy-saving and eco-friendly
- Completely dry – Miele AutoOpen drying
- Fresh water dishwashers – as little as ?? water consumed in Automatic programme
- Very easy door opening and closing – ComfortClose
- Convenient, great results and perfect for everyday use – ExtraComfort baskets



EAN: 4002516738404 / Material number: 12423920 /  
Old Material Number: 21738062GB

General information	
Model identifier	G 7380 SCVi FF
Manufacturer material number	12423920
EAN number	4002516738404
Class	Gold
Model	
Fully integrated dishwasher	•
60 cm dishwasher	•
Design	
Control panel colour	Stainless Steel.
Control panel version	Fully integrated fascia
Control type	Programme selector buttons
Display	1-line text display
Display colour	White
MultiLingua	•
Convenience	
Door closing aid	AutoClose
FrontFit	•
Time left display	•
Delay start up to 24 hours	•
In-operation indicator	optical and acoustic
Display language selection	•
Efficiency and sustainability	
Energy efficiency class (A–G)	A
Water consumption in the Automatic programme in l from	6.0
Water consumption of the ECO programme in litres per programme cycle	8.4
Electricity consumption in the ECO programme in kWh	0.54
Energy consumption of the ECO programme in kWh after 100 programme cycles	54
Consumption value in kWh in the ECO programme with hot water connection	0.29
Duration of ECO programme in minutes	230
Power rating with delay start in W	0.30
Power rating in off mode in W	0.30
Power rating in standby mode in W	0.30
Number of place settings	14
Noise emission class	B
Noise emissions in dB(A)	43
EcoFeedback	•
EcoPower Technology	•
Proven hygiene	•
Hot water connection	•
Half load	•
Quality of results	
Fresh water dishwasher	•
AutoOpen drying	•
SensorDry	•

## G 7380 SCVi FF

Fully integrated dishwashers

for perfect gaps and joints in the kitchen thanks to FrontFit



EAN: 4002516738404 / Material number: 12423920 /

Old Material Number: 21738062GB

Active condensation drying	•
BrilliantGlassCare	•
<b>Wash programmes</b>	
QuickPowerWash	•
ECO	•
Automatic	•
ComfortWash 45 °C	•
Intensive 75 °C	•
PowerWash	•
ComfortWash+ 55 °C	•
Gentle	•
ExtraQuiet 39 dB(A)	•
Appliance care	•
Rinse out salt	•
<b>Dishwashing options</b>	
BottleClean	•
Quick	•
IntenseZone	•
Extra Clean	•
Extra dry	•
<b>Basket design</b>	
Cutlery loading	3D MultiFlex tray
FlexCare glass holder	2
FlexCare cup rack	1
Basket design	ExtraComfort
MultiClip	•
FlexCare Glass & Bottle	•
XL Assist	•
<b>Safety</b>	
Waterproof system	•
Filter indicator light	•
<b>Technical data</b>	
Niche width minimal in mm	600
Niche width max in mm	600
Niche height minimal in mm	805
Niche height maximal in mm	870
Niche depth in mm	550
Appliance width in mm	598
Appliance height in mm	805
Appliance depth in mm	550
Depth with door open in cm	116.5
Net weight in kg	48.0
Total rated load in kW	2.00
Voltage in V	230
Fuse rating in A	10
Number of phases	1
Electrical frequency standard	50
Length of water inlet hose in m	1.50

## G 7380 SCVi FF

Fully integrated dishwashers

for perfect gaps and joints in the kitchen thanks to FrontFit



EAN: 4002516738404 / Material number: 12423920 /  
Old Material Number: 21738062GB

Length of water drain hose in m	1.50
Length of supply lead in m	1.80
Min. front panel weight in kg	4.0
Max. front panel weight in kg	10.0
[can be retrofitted by Service to min.]	8.0
[can be retrofitted by Service to max.]	16.0

### Accessories included

Voucher for 1 x box of UltraTabs (20 tabs) or 3 boxes (60 tabs in each) at a reduced price •

### Available display languages

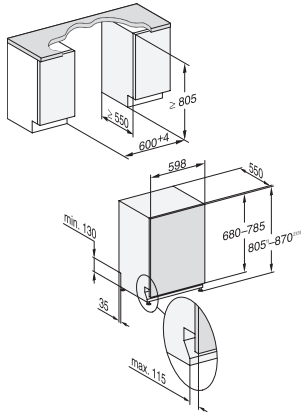
Available display languages via MultiLingua

???, deutsch,  
english (AU), english (GB),  
???, bahasa malaysia

## G 7380 SCVi FF

Fully integrated dishwashers

for perfect gaps and joints in the kitchen thanks to FrontFit



G7000, fully integrated dishwasher, 60cm (installation drawing), FrontFit

- 1) Plinth height 20-125 mm, 2) Plinth height 85-190 mm,
- 3) Appliance height max. 930 mm with plinth height conversion kit (Mat.-Nr. 6.394.761),