

## FNS 4382 D

Freestanding freezer

with NoFrost and SideOpen for a convenient side-by-side combination.



- No icing up of food and no need to defrost thanks to NoFrost
- More space for particularly large frozen food – XXL box
- Handle-less design thanks to an integrated handle design
- Food is frozen quickly and gently – SuperFreeze
- Flexible increase in freezer volume – VarioRoom



EAN: 4002516741732 / Material number: 12430440 /  
Old Material Number: 37438244GB

<b>General information</b>	
Model identifier	FNS 4382 D
Manufacturer material number	12430440
EAN number	4002516741732
Marketing class	Silver
<b>Appliance category</b>	
Freezer	•
<b>Construction type</b>	
Freestanding appliance	•
Door hinge	Left
Convertible door hinging	•
Side-by-side enabled	•
<b>Design</b>	
Casing colour	White
Front colour	White
<b>User convenience</b>	
Networking with Miele@home	•
Door opening aid	SideOpen
Party mode	•
NoFrost	•
VarioRoom	•
<b>Control system</b>	
Operating concept	SensorTouch
Precise adjustment	Freezer temperature
SuperFreeze	•
No. of temperature zones	1
Sabbath mode	•
<b>Freezer/Freezer section</b>	
Number of freezer drawers	7
including XXL box	1
<b>Efficiency and sustainability</b>	
Energy efficiency class (A–G)	D
Annual energy consumption in kWh	199.00
Energy consumption in 24 h in kWh	0.54
<b>Safety</b>	
Lock function	•
Acoustic door alarm	•
Acoustic temperature alarm	•
Optical door alarm	•
Optical temperature alarm	•
Power cut indication for freezer section	•
Internal heater for operation with low ambient temperatures	•
<b>Technical data</b>	
Appliance width in mm	597
Appliance height in mm	1855
Appliance depth in mm	675
Weight in kg	68.6

FNS 4382 D

Freestanding freezer

with NoFrost and SideOpen for a convenient side-by-side combination.



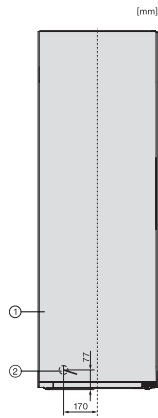
EAN: 4002516741732 / Material number: 12430440 /  
Old Material Number: 37438244GB

Climate range	SN-T
4* freezer compartment in l	278
Total usable capacity in l	277
Storage time in case of fault in h	16
Freezer capacity in kg/24 h	18.00
Acoustic airborne noise emission class (A-D)	C
Sound emissions in dB(A) re 1 pW	36
Current consumption (mA)	1300
Voltage in V	220-240
Fuse rating in A	13
Number of phases	1
Frequency in Hz	50-60
Length of supply lead in m	2.1
Replacing lamps	Service
<b>Accessories included</b>	
Water filter	Nein
Ice cube tray	•
Side-by-Side kit	•

## FNS 4382 D

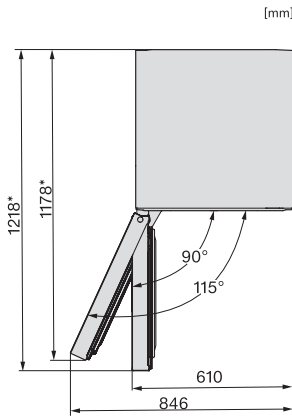
Freestanding freezer

with NoFrost and SideOpen for a convenient side-by-side combination.



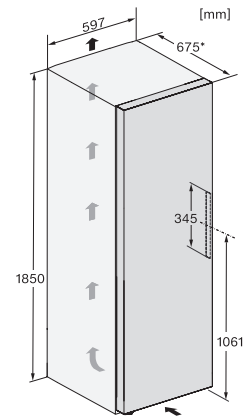
FN4372E, FN4372D, FN4872D, FN4874C, FNS4382E, FNS4382E C, FNS4782E bb, FNS4882D, installation

1. View from the front, 2. Mains connection cable, L = 2100 mm



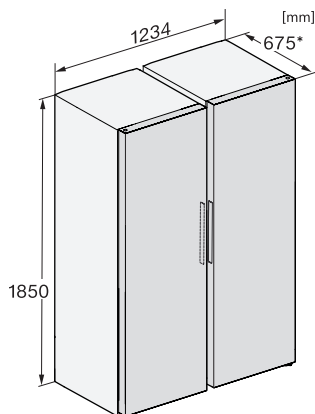
FNS4382D, FNS4382E, top view

To achieve the declared energy consumption, the spacers supplied with the unit must be used. This increases the depth of the unit by approx. 15 mm. The unit is fully functional without the use of the spacers, but has a slightly higher energy consumption.



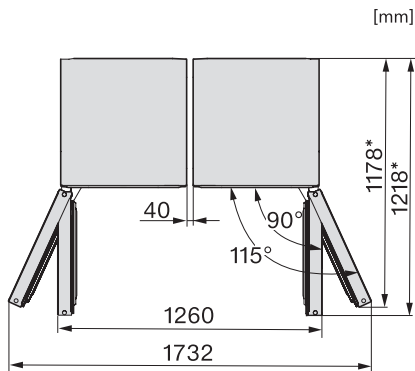
FNS4382D, FNS4382E, installation sketch

\*To achieve the declared energy consumption, the spacers supplied with the unit must be used. This increases the depth of the unit by approx. 15 mm. The unit is fully functional without the use of the spacers, but has a slightly higher energy consumption.



KS4383ED, KS4887DD, FNS4382D, FNS4382E, FNS4882D, installation sketch, Side-by-Side

\*To achieve the declared energy consumption, the spacers supplied with the unit must be used. This increases the depth of the unit by approx. 15 mm. The unit is fully functional without the use of the spacers, but has a slightly higher energy consumption.



KS4383DD, KS4383ED, FNS4382E, FNS4382D, top view, Side-by-Side

\*To achieve the declared energy consumption, the spacers supplied with the unit must be used. This increases the depth of the unit by approx. 15 mm. The unit is fully functional without the use of the spacers, but has a slightly higher energy consumption.