

FNS 7794 D L

Built-in freezer, 178 cm niche height

with ActiveDoor, IceMaker, NoFrost and 8 freezer drawers for max. convenience.



- Automatic opening and closing of the appliance door – ActiveDoor
- Ice cubes thanks to the IceMaker with fresh water connection
- Double the convenience with Miele's Ice&PizzaBox
- No icing up of food and no need to defrost thanks to NoFrost
- Optimum and maintenance-free LED lighting in compartment



EAN: 4002516747031 / Material number: 12443650 /
Old Material Number: 37779401EU1

General information	
Model identifier	FNS 7794 D L
Manufacturer material number	12443650
EAN number	4002516747031
Marketing class	Diamond
Appliance category	
Freezer	•
Construction type	
Built-in appliance	•
Integrated appliance	•
Door hinge	Left
Side-by-side enabled	•
Design	
Freezer compartment lighting	LED
IceMaker lighting	•
User convenience	
Networking with Miele@home	•
Door opening aid	ActiveDoor
Party mode	•
NoFrost	•
VarioRoom	•
SoftClose	•
Ice cube maker with mains water connection (IceMaker)	•
Control system	
Operating concept	FreshTouch
SuperFreeze	•
No. of temperature zones	1
Sabbath mode	•
Freezer/Freezer section	
Number of freezer drawers	8
of which on runners	6
of which Ice&PizzaBox	2
Efficiency and sustainability	
Energy efficiency class (A–G)	D
Annual energy consumption in kWh	189.80
Energy consumption in 24 h in kWh	0.52
Safety	
Lock function	•
Acoustic door alarm	•
Acoustic temperature alarm	•
Optical door alarm	•
Optical temperature alarm	•
Power cut indication for freezer section	•
Technical data	
Niche width in mm min.	560
Niche width in mm max.	570
Niche height in mm min.	1777
Niche height in mm max.	1793

FNS 7794 D L

Built-in freezer, 178 cm niche height

with ActiveDoor, IceMaker, NoFrost and 8 freezer drawers for max. convenience.



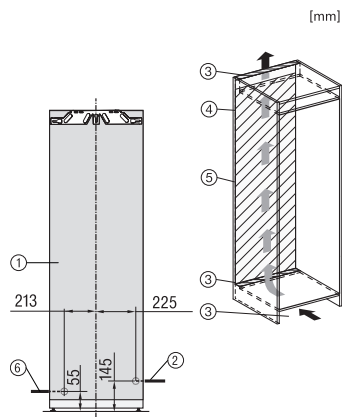
EAN: 4002516747031 / Material number: 12443650 /
Old Material Number: 37779401EU1

Niche depth in mm	550
Appliance width in mm	559
Appliance height in mm	1770
Appliance depth in mm	546
Weight in kg	75.2
Door hinge technology	Fixed door
Max. door front weight – refrigerator, in kg	26
Climate range	SN-T
4* freezer compartment in l	213
Total usable capacity in l	213
Ice cube production per day in kg	0.8
Storage time in case of fault in h	9
Freezer capacity in kg/24 h	12.00
Acoustic airborne noise emission class (A–D)	B
Sound emissions in dB(A) re 1 pW	33
Current consumption (mA)	1300
Voltage in V	220-240
Fuse rating in A	10
Number of phases	1
Frequency in Hz	50-60
Length of supply lead in m	2.2
Replacing lamps	Service
Accessories included	
Water filter	Nein
Ice scoop	•

FNS 7794 D L

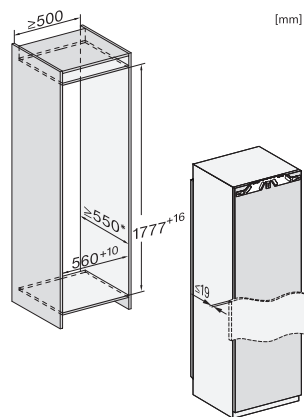
Built-in freezer, 178 cm niche height

with ActiveDoor, IceMaker, NoFrost and 8 freezer drawers for max. convenience.



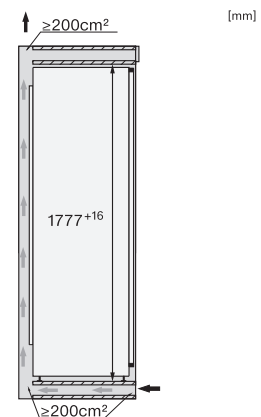
FNS7794D L, FNS7794D R, installation

1. View from the front, 2. Mains connection cable, L = 2100 mm, 3. Ventilation cut-out min. 200 cm², 4. Ventilation, 5. No connections permitted in this area, 6. Water connection L = 2000 mm



FNS7794D L, FNS7794D R, K7797C L, K7797C R, K7798C L, built-in

*The declared energy consumption was calculated in a 560 mm deep niche. The appliance is fully functional in a 550 mm niche but the energy consumption will be slightly higher.



FNS7794D L, FNS7794D R, K7797C L, K7797C R, K7798C L, side view