

K 7797 C R

Built-in refrigerator, 178 cm niche height
with ActiveDoor, PerfectFresh Active and FlexiLight 2.0 for maximum convenience.



- Fresh 5x longer with active humidification – PerfectFresh Active
- Automatic opening and closing of the appliance door – ActiveDoor
- Individually adjustable glass shelf lighting with FlexiLight 2.0
- Uniform temperature distribution inside the appliance – DynaCool
- Easy to remove items thanks to pivotable glass shelf – FlexiTray



EAN: 4002516748045 / Material number: 12444970 /
Old Material Number: 36779700EU1

General information	
Model identifier	K 7797 C R
Manufacturer material number	12444970
EAN number	4002516748045
Marketing class	Diamond
Appliance category	
Refrigerator	•
Construction type	
Built-in appliance	•
Integrated appliance	•
Door hinge	right
Design	
Fan lighting	•
Freshness system lighting	•
User convenience	
Fridge zone lighting	FlexiLight 2.0
Networking with Miele@home	•
Freshness system	PerfectFresh Active
Door opening aid	ActiveDoor
Fine adjustment inner door	•
ComfortClean	•
ComfortSize	•
DynaCool	•
Party mode	•
Holiday mode	•
SoftClose	•
SelfClose	•
Ice/Water dispenser with mains water connection	No
Control system	
Operating concept	FreshTouch
Fridge compartment can be switched off	No
SuperCool	•
No. of temperature zones	2
Sabbath mode	•
Fridge/Fridge section	
No. of shelves	4
of which illuminated	3
Chrome-plated metal bottle rack	•
No. of crisper drawers	3
Dry back wall	CleanSteel
CompactCase	•
FlexiTray	•
Number of inner door racks for tinned food	3
Door rack for bottles	2
Door shelves	5
Efficiency and sustainability	
Energy efficiency class (A–G)	C
Annual energy consumption in kWh	99.65

K 7797 C R

Built-in refrigerator, 178 cm niche height
with ActiveDoor, PerfectFresh Active and FlexiLight 2.0 for maximum convenience.



EAN: 4002516748045 / Material number: 12444970 /

Old Material Number: 36779700EU1

Energy consumption in 24 h in kWh 0.27

Safety

Lock function •

Acoustic door alarm •

Optical door alarm •

Technical data

Niche width in mm min. 560

Niche width in mm max. 570

Niche height in mm min. 1777

Niche height in mm max. 1793

Niche depth in mm 550

Appliance width in mm 559

Appliance height in mm 1770

Appliance depth in mm 546

Weight in kg 71.5

Door hinge technology Fixed door

Max. door front weight – refrigerator, in kg 26

Climate range SN-T

Refrigerator compartment in l 296

including PerfectFresh zone in l 98

Total usable capacity in l 296

Acoustic airborne noise emission class (A–D) B

Sound emissions in dB(A) re 1 pW 32

Current consumption (mA) 1200

Voltage in V 220-240

Fuse rating in A 10

Number of phases 1

Frequency in Hz 50-60

Length of supply lead in m 2.2

Replacing lamps Service

Accessories included

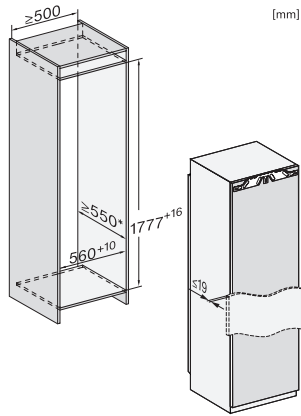
Egg tray •

Water filter Nein

PerfectFresh organisation box •

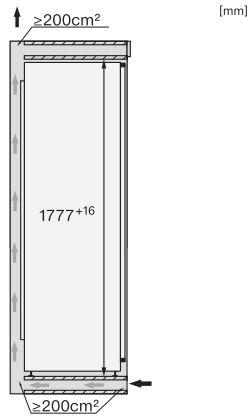
K 7797 C R

Built-in refrigerator, 178 cm niche height with ActiveDoor, PerfectFresh Active and FlexiLight 2.0 for maximum convenience.

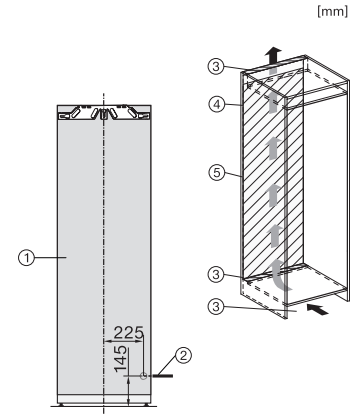


FNS7794D L, FNS7794D R, K7797C L, K7797C R, K7798C L, built-in

*The declared energy consumption was calculated in a 560 mm deep niche. The appliance is fully functional in a 550 mm niche but the energy consumption will be slightly higher.



FNS7794D L, FNS7794D R, K7797C L, K7797C R, K7798C L, side view



K7797C L, K7797C R, K7797C R, K7798C L, K7798C R, installation

1. View from the front, 2. Mains connection cable, L = 2100 mm, 3. Ventilation cut-out min. 200 cm², 4. Ventilation, 5. No connections permitted in this area