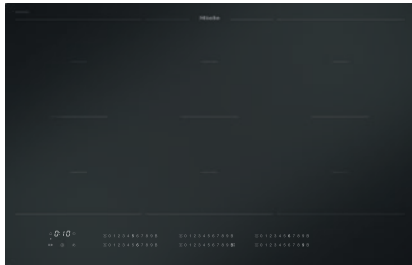


KM 7576-2 FL MattFinish
 Induction hob with onset controls
 with 3 PowerFlex cooking areas and MattFinish



- Elegant surface for a unique kitchen design – MattFinish
- Intuitive quick selection via numerical displays – SmartSelect White
- 6 cooking zones incl. 3 powerful PowerFlex cooking areas
- A width of 800 mm for surface-mounted or flush-fit installation
- Networking with Con@ctivity and Miele@home

EAN: 4002516785637 / Material number: 12527300 /
 Old Material Number: 26757673GB

General information	
Model identifier	KM 7576-2 FL MattFinish
Manufacturer material number	12527300
EAN number	4002516785637
Marketing class	Gold
Heating type	
Heating type	Induction
Construction type	
Independent of cooker	•
Design	
Elegant glass ceramic surface	•
Ceramic surface colour	Matt black
Scratch-resistant surface	MattFinish
Anti-fingerprint effect	•
Flush	•
Surface-mounted installation	•
Cooking zone details	
Number of cooking zones	6
Number of cooking areas	3
Maximum number of pans	6
PowerFlex cooking zones	
No.	6
Type	PowerFlex cooking zone
Size in mm	Ø 150 – 230
Max. rating in W	2100
Max. Booster power rating in W	3000
Max. TwinBooster power rating in W	3650
1st cooking zone/cooking area	
Position	Left
Type	PowerFlex bridge
Size in mm	230x390
Max. rating in W	3150
Max. Booster power rating in W	3400
Max. TwinBooster power rating in W	3650
2nd cooking zone/cooking area	
Position	Centred
Type	PowerFlex bridge
Size in mm	230x390
Max. rating in W	3400
Max. Booster power rating in W	4800
Max. TwinBooster power rating in W	7300
3rd cooking zone/cooking area	
Position	right
Type	PowerFlex bridge
Size in mm	230x390
Max. rating in W	3400
Max. Booster power rating in W	4800
Max. TwinBooster power rating in W	7300

KM 7576-2 FL MattFinish
 Induction hob with onset controls
 with 3 PowerFlex cooking areas and MattFinish



EAN: 4002516785637 / Material number: 12527300 /
 Old Material Number: 26757673GB

User convenience	
Networking with Miele@home	•
Con@ctivity	•
Pan and pan size recognition	•
Operation via sensor controls	SmartSelect White
Display colour	White
Permanent pan recognition	•
Stop & Go function	•
Wipe protection	•
Recall function	•
Minute minder	•
Safety switch-off	•
Auto heat-up	•
Keeping warm	•
Individual setting options (e.g. buzzers)	•
Efficiency	
Power rating in off mode in W	0.5
Power rating in standby mode in W	0.8
Power rating in networked standby in W	2.0
Time until automatic switch to off mode in min	10
Time until automatic switch to standby in min	10
Time until automatic switch to networked standby in min	10
Cleaning and care	
Easy to clean ceramic glass	•
Safety	
Safety switch-off	•
Lock function	•
System lock	•
Integrated cooling fan	•
Overheating protection	•
Residual heat indicator	•
Technical data	
Dimensions in mm (width)	800
Dimensions in mm (height)	51
Dimensions in mm (depth)	520
Casing height incl. connection box in mm	51
Cutout dimensions in mm (width) with surface-mounted installation	780 mm
Cutout dimensions in mm (depth) with surface-mounted installation	500 mm
Internal cutout dimensions in mm (width) with flush installation	780
Internal cutout dimensions in mm (depth) with flush installation	500
Weight in kg	16
External cutout dimensions in mm (width) with flush installation	804
External cutout dimensions in mm (depth) with flush installation	524
Total rated load in kW	9.20

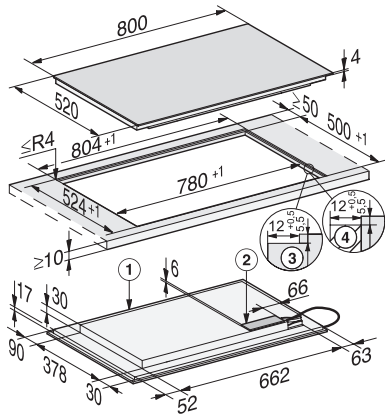
KM 7576-2 FL MattFinish
Induction hob with onset controls
with 3 PowerFlex cooking areas and MattFinish



EAN: 4002516785637 / Material number: 12527300 /
Old Material Number: 26757673GB

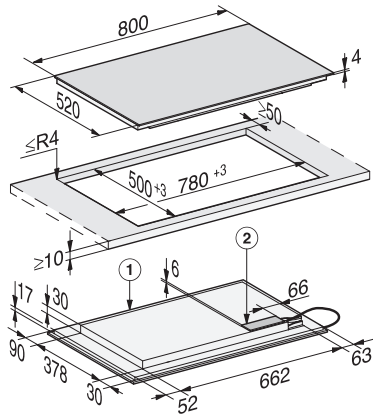
Length of supply lead in m	1.4
Voltage in V	230
Frequency in Hz	50-60
Accessories included	
Mains cable	Yes

KM 7576-2 FL MattFinish
 Induction hob with onset controls
 with 3 PowerFlex cooking areas and MattFinish



KM7575-2FL, KM7576-2FL flush (installation drawing)

1) front, 2) Mains connection box, The mains connection cable (L = 1440 mm) is enclosed loose, 3) Step milling natural stone worktop, 4) Wooden strip 12 mm (no supplied accessories)



KM7575-2FL, KM7576-2FL surface mounted (installation drawing)

1) front, 2) Mains connection box, The mains connection cable (L = 1440 mm) is enclosed loose