

G 5432 SC Front Selection  
Freestanding dishwashers  
for optimum drying results thanks to AutoOpen drying.



- Perfect results in less than one hour – QuickPowerWash
- Wonderful use of space – the 3D MultiFlex tray with more room for your cutlery
- Fresh water dishwashers – as little as 6.0 l water consumed in Automatic programme
- Flexible basket design perfect for everyday use – Comfort baskets
- Drawer or basket? Both! You decide thanks to the additional cutlery basket



EAN: 4002516835462 / Material number: 12656390 /  
Old Material Number: 21543218GB

|   |                           |
|---|---------------------------|
| <b>Model</b>  |                           |
| Freestanding dishwasher   | •                         |
| 60 cm dishwasher  | •                         |
| <b>Design</b>   |                           |
| Control panel colour  | CleanSteel front          |
| Control panel version   | Straight fascia           |
| Control type  | Programme selector button |
| Display   | 3-digit 7-segment display |
| Display colour  | White                     |
| <b>Convenience</b>  |                           |
| Door closing aid  | AutoClose                 |
| Time left display   | •                         |
| Delay start up to 24 hours  | •                         |
| In-operation indicator light  | Display                   |
| <b>Efficiency and sustainability</b>                                      |                           |
| Energy efficiency class (A–G)   | B                         |
| Water consumption in the Automatic programme in l from                    | 6.0                       |
| Water consumption of the ECO programme in litres per programme cycle      | 8.4                       |
| Electricity consumption in the ECO programme in kWh                       | 0.64                      |
| Energy consumption of the ECO programme in kWh after 100 programme cycles | 64                        |
| Consumption value in kWh in the ECO programme with hot water connection   | 0.40                      |
| Duration of ECO programme in minutes                                      | 199                       |
| Number of place settings  | 14                        |
| Noise emission class  | B                         |
| EcoPower Technology   | •                         |
| Proven hygiene  | •                         |
| Hot water connection  | •                         |
| Half load   | •                         |
| <b>Quality of results</b>   |                           |
| Fresh water dishwasher  | •                         |
| AutoOpen drying   | •                         |
| SensorDry   | •                         |
| Active condensation drying  | •                         |
| BrilliantGlassCare  | •                         |
| <b>Wash programmes</b>  |                           |
| QuickPowerWash  | •                         |
| ECO   | •                         |
| Automatic   | •                         |
| Intensive 75 °C   | •                         |
| Gentle  | •                         |
| <b>Dishwashing options</b>  |                           |
| Express   | •                         |
| Extra Clean   | •                         |
| Extra dry   | •                         |

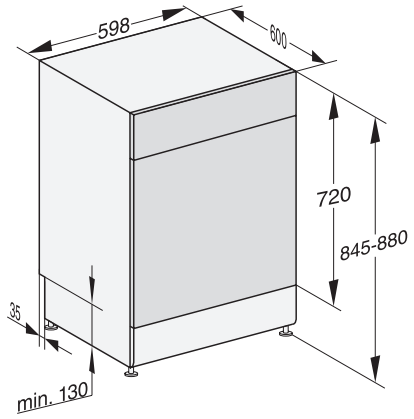
G 5432 SC Front Selection  
 Freestanding dishwashers  
 for optimum drying results thanks to AutoOpen drying.



EAN: 4002516835462 / Material number: 12656390 /  
 Old Material Number: 21543218GB

| <b>Basket design</b>   |                   |
|--|-------------------|
| Cutlery loading  | 3D MultiFlex tray |
| Additional cutlery basket  | •                 |
| FlexCare cup rack  | 1                 |
| Basket design  | Comfort           |
| <b>Safety</b>  |                   |
| Waterproof system  | •                 |
| Safety lock  | •                 |
| <b>Technical data</b>  |                   |
| Niche width minimal in mm  | 600               |
| Niche width max in mm  | 600               |
| Niche height minimal in mm   | 845               |
| Niche height maximal in mm   | 880               |
| Niche depth in mm  | 600               |
| Appliance width in mm  | 598               |
| Appliance height in mm   | 845               |
| Appliance depth in mm  | 600               |
| Depth with door open in cm   | 119.5             |
| Net weight in kg   | 54.5              |
| Total rated load in kW   | 2.00              |
| Voltage in V   | 230               |
| Fuse rating in A   | 10                |
| Number of phases   | 1                 |
| Electrical frequency standard  | 50                |
| Length of water inlet hose in m  | 1.50              |
| Length of water drain hose in m  | 1.50              |
| Length of supply lead in m   | 1.70              |
| <b>Accessories included</b>  |                   |
| Voucher for 1 x box of UltraTabs (20 tabs) or 3 boxes (60 tabs in each) at a reduced price | •                 |

G 5432 SC Front Selection  
Freestanding dishwashers  
for optimum drying results thanks to AutoOpen drying.



G7000, free standing dishwasher, 60cm (installation drawing)