

KFN 7844 C

XL built-in fridge-freezer, 194 cm niche height
with PerfectFresh Pro and NoFrost in 194 cm height for a lot of storage space.



- 17 % more volume in the fridge section – Built-In XL
- Professional storage – fresher for longer with PerfectFresh Pro
- Optimum and maintenance-free LED lighting in compartment
- No icing up of food and no need to defrost thanks to NoFrost
- Uniform temperature distribution inside the appliance – DynaCool



EAN: 4002516840619 / Material number: 12665240 /
Old Material Number: 38784400EU1

| | |
|--|------------------|
| General information | |
| Model identifier | KFN 7844 C |
| Manufacturer material number | 12665240 |
| EAN number | 4002516840619 |
| Marketing class | Gold |
| Appliance category | |
| Fridge-freezer | • |
| Construction type | |
| Built-in appliance | • |
| Integrated appliance | • |
| Door hinge | right |
| Convertible door hinging | • |
| User convenience | |
| Fridge zone lighting | LED |
| Networking with Miele@home | • |
| Freshness system | PerfectFresh Pro |
| ComfortClean | • |
| ComfortSize | • |
| DynaCool | • |
| Party mode | • |
| Holiday mode | • |
| NoFrost | • |
| DuplexCool | • |
| VarioRoom | • |
| SoftClose | • |
| Ice/Water dispenser with mains water connection | No |
| Control system | |
| Operating concept | SensorTouch |
| Fridge compartment can be switched off | Yes |
| Independent temperature regulation of fridge and freezer zones | Yes |
| SuperCool | • |
| SuperFreeze | • |
| No. of temperature zones | 3 |
| Sabbath mode | • |
| Fridge/Fridge section | |
| No. of shelves | 4 |
| including number of split shelves (FlexiBoard) | 1 |
| Chrome-plated metal bottle rack | • |
| No. of crisper drawers | 2 |
| Dry back wall | CleanSteel |
| Number of inner door racks for tinned food | 2 |
| Door rack for bottles | 1 |
| Door shelves | 3 |
| Freezer/Freezer section | |
| Number of freezer drawers | 3 |
| Efficiency and sustainability | |
| Energy efficiency class (A–G) | C |

KFN 7844 C

XL built-in fridge-freezer, 194 cm niche height

with PerfectFresh Pro and NoFrost in 194 cm height for a lot of storage space.



EAN: 4002516840619 / Material number: 12665240 /

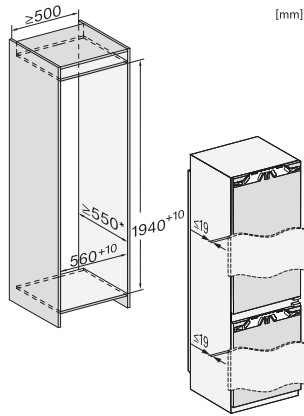
Old Material Number: 38784400EU1

| | |
|--|------------|
| Annual energy consumption in kWh | 162.06 |
| Energy consumption in 24 h in kWh | 0.44 |
| Safety | |
| Lock function | • |
| Acoustic door alarm | • |
| Acoustic temperature alarm | • |
| Optical door alarm | • |
| Optical temperature alarm | • |
| Power cut indication for freezer section | • |
| Technical data | |
| Niche width in mm min. | 560 |
| Niche width in mm max. | 570 |
| Niche height in mm min. | 1940 |
| Niche height in mm max. | 1950 |
| Niche depth in mm | 550 |
| Appliance width in mm | 559 |
| Appliance height in mm | 1938 |
| Appliance depth in mm | 546 |
| Weight in kg | 71.7 |
| Door hinge technology | Fixed door |
| Max. door front weight – refrigerator, in kg | 18 |
| Max. door front weight – freezer, in kg | 12 |
| Climate range | SN-T |
| Refrigerator compartment in l | 204 |
| including PerfectFresh zone in l | 71 |
| 4* freezer compartment in l | 70 |
| Total usable capacity in l | 273 |
| Storage time in case of fault in h | 9 |
| Freezer capacity in kg/24 h | 6.00 |
| Acoustic airborne noise emission class (A–D) | B |
| Sound emissions in dB(A) re 1 pW | 33 |
| Current consumption (mA) | 1400 |
| Voltage in V | 220-240 |
| Fuse rating in A | 10 |
| Number of phases | 1 |
| Frequency in Hz | 50-60 |
| Length of supply lead in m | 2.2 |
| Replacing lamps | Service |
| Accessories included | |
| Egg tray | • |
| Water filter | Nein |
| Ice cube tray | • |

KFN 7844 C

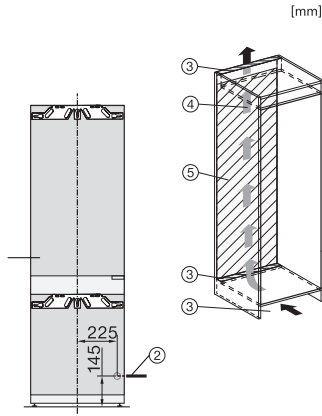
XL built-in fridge-freezer, 194 cm niche height

with PerfectFresh Pro and NoFrost in 194 cm height for a lot of storage space.



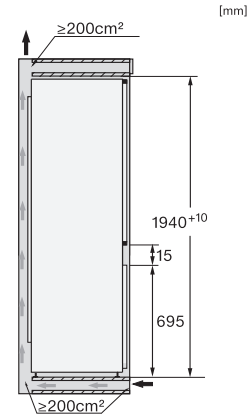
KFN7844C, XL built-in

*The declared energy consumption was calculated in a 560 mm deep niche. The appliance is fully functional in a 550 mm niche but the energy consumption will be slightly higher.



KFN7844C, XL built-in, installation

1. View from the front, 2. Mains connection cable, L = 2100 mm, 3. Ventilation cut-out min. 200 cm², 4. Ventilation, 5. No connections permitted in this area



KFN7844C, XL built-in, side view