

DAZ 1620

Slot-in cooker hood

with energy-efficient LED lighting and light-touch switches for easy use.



- Invisible – can be concealed with kitchen décor
- Powerful – ?? in Booster level
- Energy-efficient and uniform illumination – 2 LED spotlights
- Safe and easy to clean – Miele CleanCover
- For perfect functionality – accessories for proper venting



EAN: 4002516852599 / Material number: 12697770 /
Old Material Number: 28Z1620SGB

General information	
Model identifier	DAZ 1620
Manufacturer material number	12697770
EAN number	4002516852599
Marketing class	Silver
Construction type	
Slot-in cooker hood	•
Construction type and design	
Colour	Stainless steel (PF)
Operating modes	
Type of air guide	Can be retrofitted
User convenience	
Electronic controls	•
Controls	Light-touch switches with LEDs
Power levels (number without Booster level)	3
Booster levels	1
Efficiency	
Energy efficiency class (A+++ – D)	B
Annual energy consumption in kWh/year	75.9
Fluid dynamic efficiency class	B
Lighting efficiency class	A
Grease filtering efficiency class	B
Filter system	
Number of dishwasher safe metal grease filters	2
Lighting	
Number x W	2 x 1,0 W
Light intensity in lx	170 lx
Fan	
Dual-action blower	•
Exhaust air	
Air throughput in Level 1 (m ³ /h) according to EN 61591	300
Air throughput in Level 2 (m ³ /h) according to EN 61591	470
Air throughput in Level 3 (m ³ /h) according to EN 61591	620
Air throughput in Booster level 1 (m ³ /h) according to EN 61591	730
Sound power in Level 1 (dB(A) re 1 pW) according to EN 60704-3	47.0
Sound power in Level 2 (dB(A) re 1 pW) according to EN 60704-3	58.0
Sound power in Level 3 (dB(A) re 1 pW) according to EN 60704-3	64.0
Sound power in Booster level 1 (dB(A) re 1 pW) acc. to EN 60704-3	68.0
Sound pressure in Level 1 (dB(A) re 20 µPa) according to EN 60704-2-13	39.0
Sound pressure in Level 2 (dB(A) re 20 µPa) according to EN 60704-2-13	49.0
Sound pressure in Level 3 (dB(A) re 20 µPa) according to EN 60704-2-13	55.0

DAZ 1620

Slot-in cooker hood

with energy-efficient LED lighting and light-touch switches for easy use.



EAN: 4002516852599 / Material number: 12697770 /

Old Material Number: 28Z1620SGB

Sound pressure in Booster level 1 (dB(A) re 20 µPa) acc. to EN 60704-2-13 59.0

Recirculation

Air throughput in Level 1 (m³/h) according to EN 61591 255

Air throughput in Level 2 (m³/h) according to EN 61591 355

Air throughput in Level 3 (m³/h) according to EN 61591 410

Air throughput in Booster level 1 (m³/h) according to EN 61591 430

Sound power in Level 1 (dB(A) re 1 pW) according to EN 60704-3 64.0

Sound power in Level 2 (dB(A) re 1 pW) according to EN 60704-3 71.0

Sound power in Level 3 (dB(A) re 1 pW) according to EN 60704-3 74.0

Sound power in Booster level 1 (dB(A) re 1 pW) acc. to EN 60704-3 75.0

Sound pressure in Level 1 (dB(A) re 20 µPa) according to EN 60704-2-13 55.0

Sound pressure in Level 2 (dB(A) re 20 µPa) according to EN 60704-2-13 62.0

Sound pressure in Level 3 (dB(A) re 20 µPa) according to EN 60704-2-13 65.0

Sound pressure in Booster level 1 (dB(A) re 20 µPa) acc. to EN 60704-2-13 66.0

Technical data

Canopy width in mm 599

Canopy height in mm 450

Canopy depth in mm 275

Net weight in kg 11.8

Length of supply lead in m 1.2

Standard plug fitted •

Minimum height above electric hobs in mm 650

Minimum safety distance above gas hobs (max. 12.6 kW total power, burner ≤ 4.5 kW) in mm 650

Number of phases 1

Total rated load in kW 0.25

Voltage in V 230

Fuse rating in A 5

Frequency in Hz 50

Installation notes

Extraction ducting connection at top •

Diameter of exhaust duct in mm 150

Fitting template •

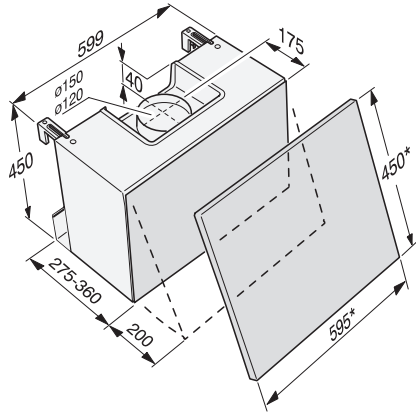
Accessories included

Non-return flap •

DAZ 1620

Slot-in cooker hood

with energy-efficient LED lighting and light-touch switches for easy use.



DA1867, DAZ1620 (Installation drawing)

* Measurements of furniture front