

TED645WP EcoSpeed&9kg  
T1 heat-pump dryer:  
9 kg | DirectSensor | DryCare 40 | HygieneDry | Miele@home



- Tested for 20 years of perfect laundry care\*
- Heat pump technology – low consumption, gentle drying
- Save time sorting your laundry; DryCare 40 is perfect for a 40 °C wash\*\*
- EcoSpeed efficiently reduces the drying time by 20 minutes\*\*\*
- HygieneDry removes up to 99.99 % of bacteria\* and 99.9 % of viruses\*\*\*\*

\* During the development phase of the W1 / W2 washing machine series, Miele tested models and core components in 5000 wash loads (= 5 wash loads per week for 50 weeks per year) in various programmes. More: [miele.com/20years](https://www.miele.com/20years)

\*\* Not suitable for woollens or silks.

\*\*\* Time savings calculated compared to Miele tumble dryers without EcoSpeed with the same load size and similar energy efficiency. Tested in the "Cottons" programme with a full load size.

\*\*\*\* Tested for *Bacillus subtilis* and *Saccharomyces cerevisiae* bacteria in the HygieneDry drying level with half load. A description of the relevant methodology can be found at the following link: <https://www.miele.de/testkriterien-trockner>

EAN: 4002516869856 / Material number: 12719190 /  
Old Material Number: 12ED6452GB

General information	
Model identifier	TED645WP EcoSpeed&9kg
Manufacturer material number	12719190
EAN number	4002516869856
Marketing class	Gold
Construction type	
Suitable for stacking	•
Door hinging	left
Side-by-side	•
Slot-in	•
Can be built-under	•
Model	
Product brand	T1 Chrome Edition
Heat pump dryer	•
Design	
Appliance colour	Lotus white
Control panel colour	Lotus white
Door design	Graphite grey PearlFinish
Rotary selector colour	Lotus White
Control panel version	Straight
Control type	Rotary control
Display	DirectSensor white, 7 segment
Drying results	
PerfectDry precision drying	•
FragranceDos fragrance system	•
Intelligent drum reversal	•
HygieneDry	•
Gentle laundry care	
Honeycomb drum	•
Load in kg	9
User convenience	
Networking with Miele@home	•
Wash2Dry	•
Delay start up to 24 hours	•
Time left display	•
Programme sequence indicator	No
Drum lighting	LED
Condensate container	•
Integrated condensed water drainage	•
AddLoad	•
Efficiency and sustainability	
Energy efficiency class (A+++ – D)	A+++
Annual energy consumption in kWh	194
Duration in minutes in the standard programme	187
Noise in the Cottons programme with full load in db(A) re 1 pW	66

TED645WP EcoSpeed&9kg

T1 heat-pump dryer:

9 kg | DirectSensor | DryCare 40 | HygieneDry | Miele@home



EAN: 4002516869856 / Material number: 12719190 /

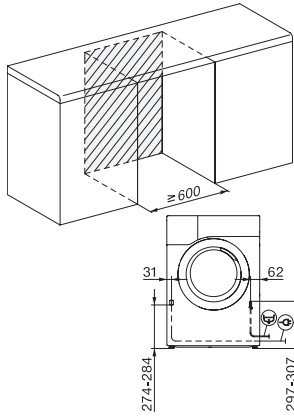
Old Material Number: 12ED6452GB

Condensation efficiency class	A
EcoDry technology	•
Maintenance-free heat exchanger	•
ProfiEco motor	•
EcoSpeed	•
<b>Drying programmes</b>	
Cottons (coloureds)	•
Cottons arrow	•
Minimum iron	•
Delicates	•
Shirts	•
Woollens handcare	•
Express	•
Proofing	•
Bed linen	•
Warm air/DryFresh	•
<b>Drying extras</b>	
Anti-crease	•
Buzzer	•
DryCare 40	•
<b>Quality</b>	
Soft ribs	•
<b>Safety</b>	
PIN-Code	•
Empty out container indicator	•
Clean filter indication	•
Optical interface	•
<b>Technical data</b>	
Dimensions (H x W x D) in mm	850 x 596 x 636
Dimensions in mm (width)	596
Dimensions in mm (height)	850
Dimensions in mm (depth)	636
Weight in kg	53
Voltage in V	220-240
Fuse rating in A	13
Frequency in Hz	50
Total rated load in kW	1.10
Length of supply lead in m	2.0
Hermetically sealed	•
Type of coolant	R290
Refrigerant quantity in kg	0.14
Refrigerant global warming potential in CO <sub>2</sub> e	3
Appliance global warming potential in CO <sub>2</sub> e	0.42
Replacing lamps	Service
<b>Accessories included</b>	
Fragrance flacon	•
Voucher for a second fragrance flacon	•

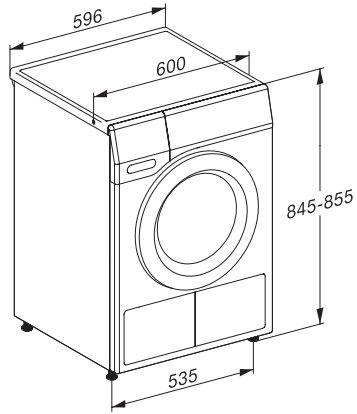
TED645WP EcoSpeed&9kg

T1 heat-pump dryer:

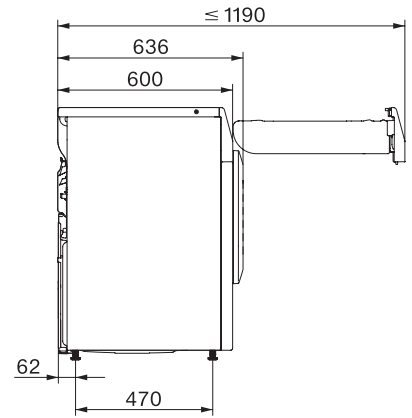
9 kg | DirectSensor | DryCare 40 | HygieneDry | Miele@home



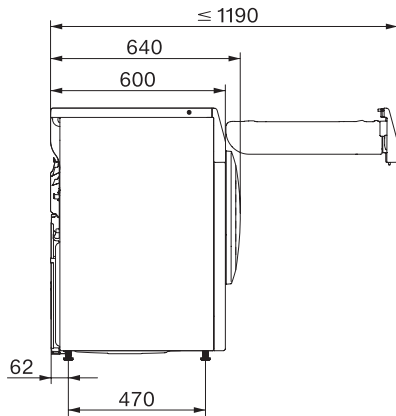
T1 installation drawing, slanted facia or straight facia, measures in mm



T1 drawing, slanted facia or straight facia, measures in mm



T1 drawing, slanted facia or straight facia, with porthole, measures in mm



T1 drawing, slanted facia or straight facia, without porthole, measures in mm