

WEE385 WCS PWash&Steam&8kg

W1 front-loader washing machine:

A -40 %* | 8 kg | 1400 rpm | SteamCare | QuickPowerWash | Miele@home



EAN: 4002516867463 / Material number: 12721040 / Old Material Number: 11EE3851GB

General information	
Model identifier	WEE385 WCS PWash&Steam&8kg
Manufacturer material number	12721040
EAN number	4002516867463
Marketing class	Platinum
Construction type	
Suitable for stacking	•
Door hinging	right
Side-by-side	•
Slot-in	•
Can be built-under	•
Model	
Product brand	W1 Chrome Edition
Front-loader	•
Spinning	
Max. spin speed	1400
Rinse hold	•
Without spin function	•
Design	
Appliance colour	Lotus white
Control panel colour	Lotus white
Door design	Chrome
Rotary selector colour	Lotus White / Chrome ring
Control panel version	Straight
Control type	Rotary control
Display	DirectSensor white, 7 segment
Cleaning performance	
Innovative PowerWash technology	•
CapDosing portioned dispensing	•
Gentle laundry care	
Honeycomb drum	•
Load in kg	8
User convenience	
Networking with Miele@home	•
SteamCare steam system	•
Delay start up to 24 hours	•
Time left display	•
Programme sequence indicator	•
AutoClean detergent drawer	•
AddLoad	•
Efficiency	
Energy efficiency class (A–G)	A
More economical than the threshold value (52) for energy efficiency class A	40%
Weighted energy consumption per 100 operating cycles for the wash cycle in kWh	29
Weighted water consumption per cycle in l	48

- Tested for 20 years of perfect laundry care*
- Save even more energy with A -40 %**
- SteamCare reduces ironing time by up to 50 % and freshens up your clothes
- QuickPowerWash ensures fast, efficient results in just 49 minutes***
- Complete app control of your washing machine with Miele@home****

* During the development phase of the W1 / W2 washing machine series, Miele tested models and core components in 5000 wash loads (= 5 wash loads per week for 50 weeks per year) in various programmes. More: miele.com/20years

** 40 % more economical than the threshold value (52) for energy efficiency class A.

*** This applies equally to all Miele washing machines, which are able to replicate the process and technical machine parameters laid out in the conclusion of the test report WL 1110/18.

**** This is a separate digital offer from Miele & Cie. KG. The range of functions can vary depending on the model and the country. Acceptance of the Terms and Conditions and Privacy Policy for Miele digital products and services in the Miele app required. Miele reserves the right to change or discontinue the digital offer at any time.



WEE385 WCS PWash&Steam&8kg

W1 front-loader washing machine:

A -40 %* | 8 kg | 1400 rpm | SteamCare | QuickPowerWash | Miele@home



EAN: 4002516867463 / Material number: 12721040 / Old Material Number: 11EE3851GB

Spin efficiency class (A–G)	B
Acoustic airborne noise emission class (spin cycle; A–D)	A
Sound emissions during spin cycle in dB(A) re 1 pW	68
Duration of the "ECO 40–60" programme at nominal capacity	219
Power rating in off mode in W	0.40
Power rating in networked standby in W	0.80
Low temperature wash "Cold" and "20 °C"	•
Automatic load control	•
Flow meter	•
Foam sensing	•
ProfiEco motor	•
Wash programmes	
QuickPowerWash	•
Cottons (coloureds)	•
Minimum iron	•
Delicates	•
Shirts	•
Woollens (hand-washable)	•
Express 20	•
Dark garments / Denim	•
Drain / Spin	•
ECO 40-60	•
Washing extras	
Short	•
Pre-wash	•
Water plus	•
Additional rinse cycle	•
Pre-ironing with steam	•
Buzzer	•
Safety	
Water protection system	Watercontrol-System
Safety lock	•
PIN-Code	•
Optical interface	•
Technical data	
Dimensions (H x W x D) in mm	850 x 596 x 636
Dimensions in mm (width)	596
Dimensions in mm (height)	850
Dimensions in mm (depth)	636
Appliance depth in mm with opened door	1077
Appliance depth w/o door in mm	600
Weight in kg	93
Voltage in V	220-240
Fuse rating in A	13
Frequency in Hz	50
Total rated load in kW	2.10-2.40
Length of water inlet hose in m	1.60
Length of water drain hose in m	1.50

WEE385 WCS PWash&Steam&8kg

W1 front-loader washing machine:

A -40 %* | 8 kg | 1400 rpm | SteamCare | QuickPowerWash | Miele@home



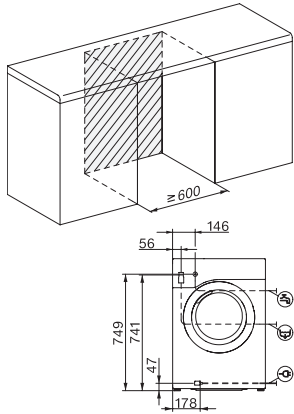
EAN: 4002516867463 / Material number: 12721040 / Old Material Number: 11EE3851GB

Length of supply lead in m	2
Accessories included	
3 Caps	•
Voucher for Miele detergent	•
Available display languages	
Available display languages via MultiLingua	[?][?], [?][?][?][?], deutsch, english (AU), english (GB), [?][?][?], [?][?][?], bahasa malaysia, português, español

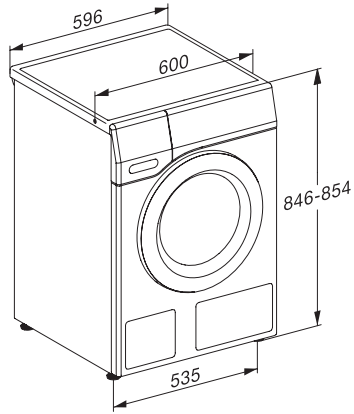
WEE385 WCS PWash&Steam&8kg

W1 front-loader washing machine:

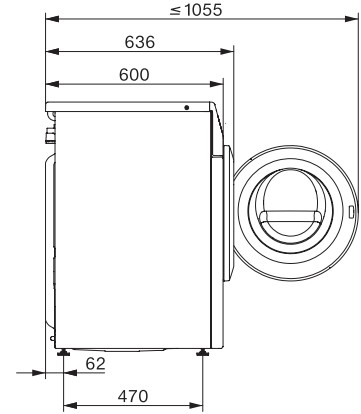
A -40 %* | 8 kg | 1400 rpm | SteamCare | QuickPowerWash | Miele@home



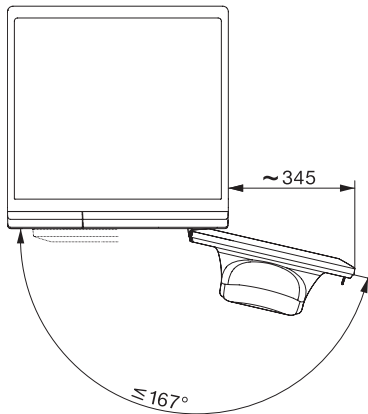
W1 installation drawing, slanted facia or straight facia, measures in mm



W1 drawing, slanted facia or straight facia, measures in mm



W1 drawing, slanted facia or straight facia, measures in mm



W1 drawing, slanted facia or straight facia, measures in mm